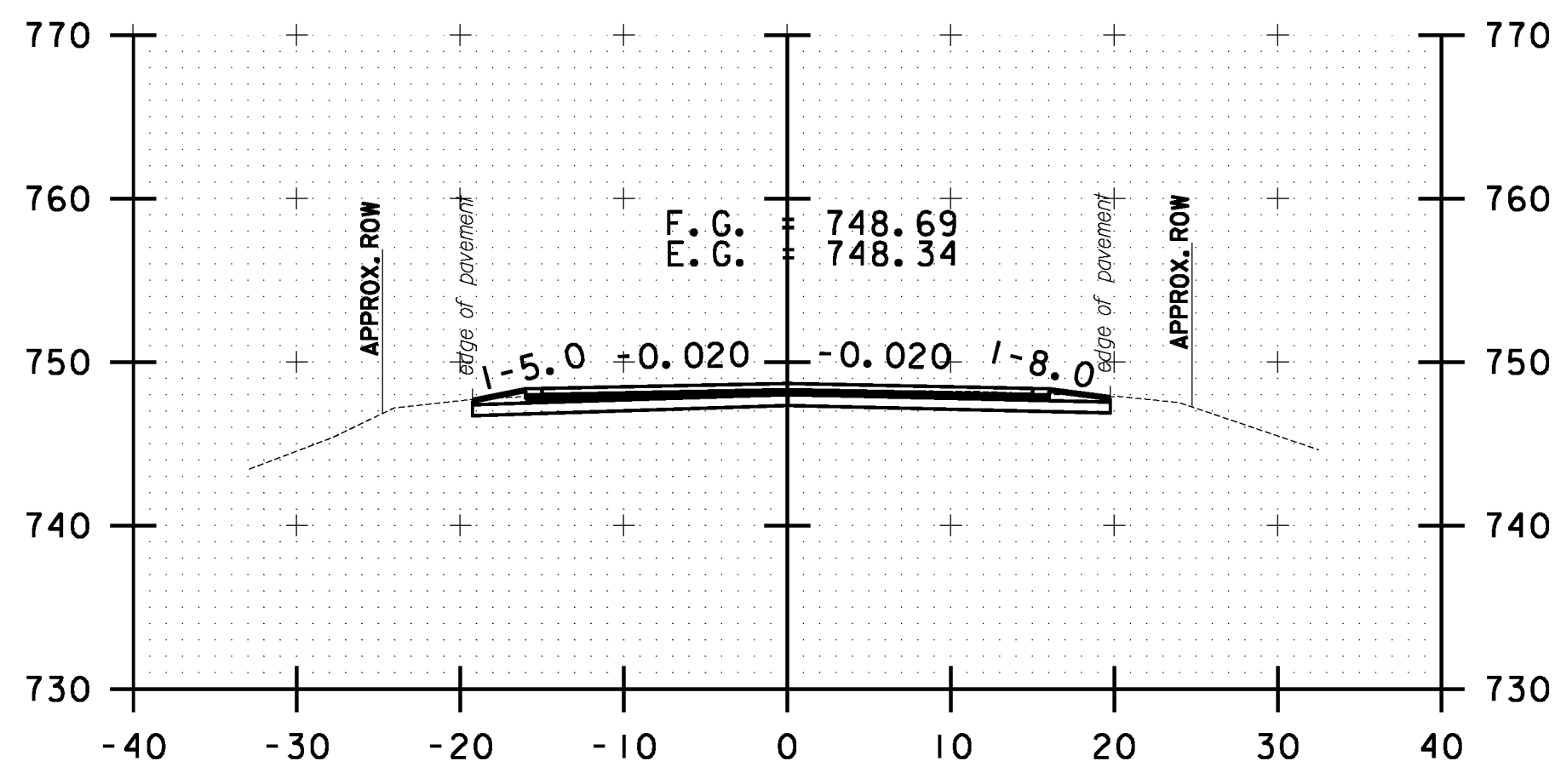
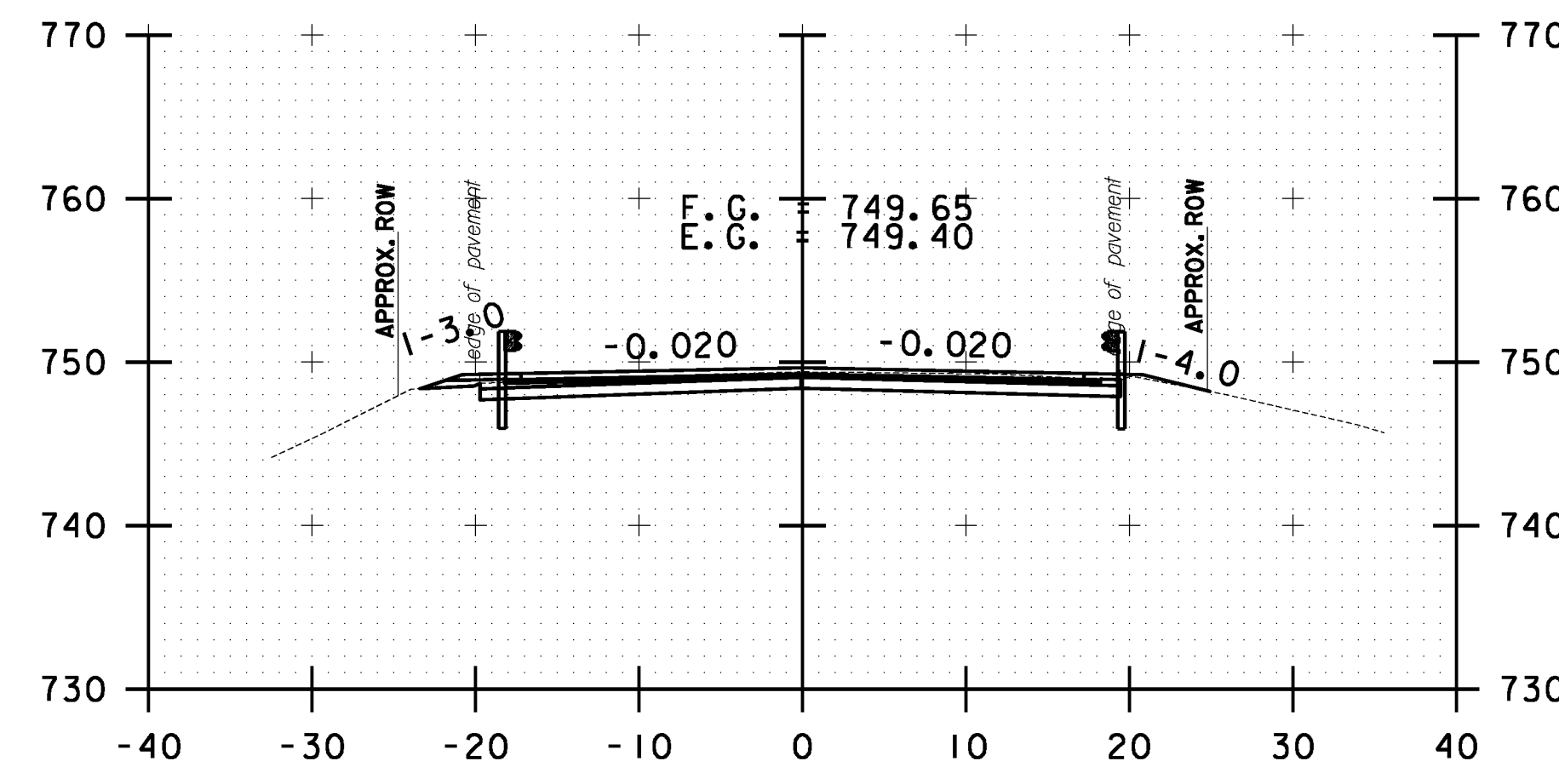


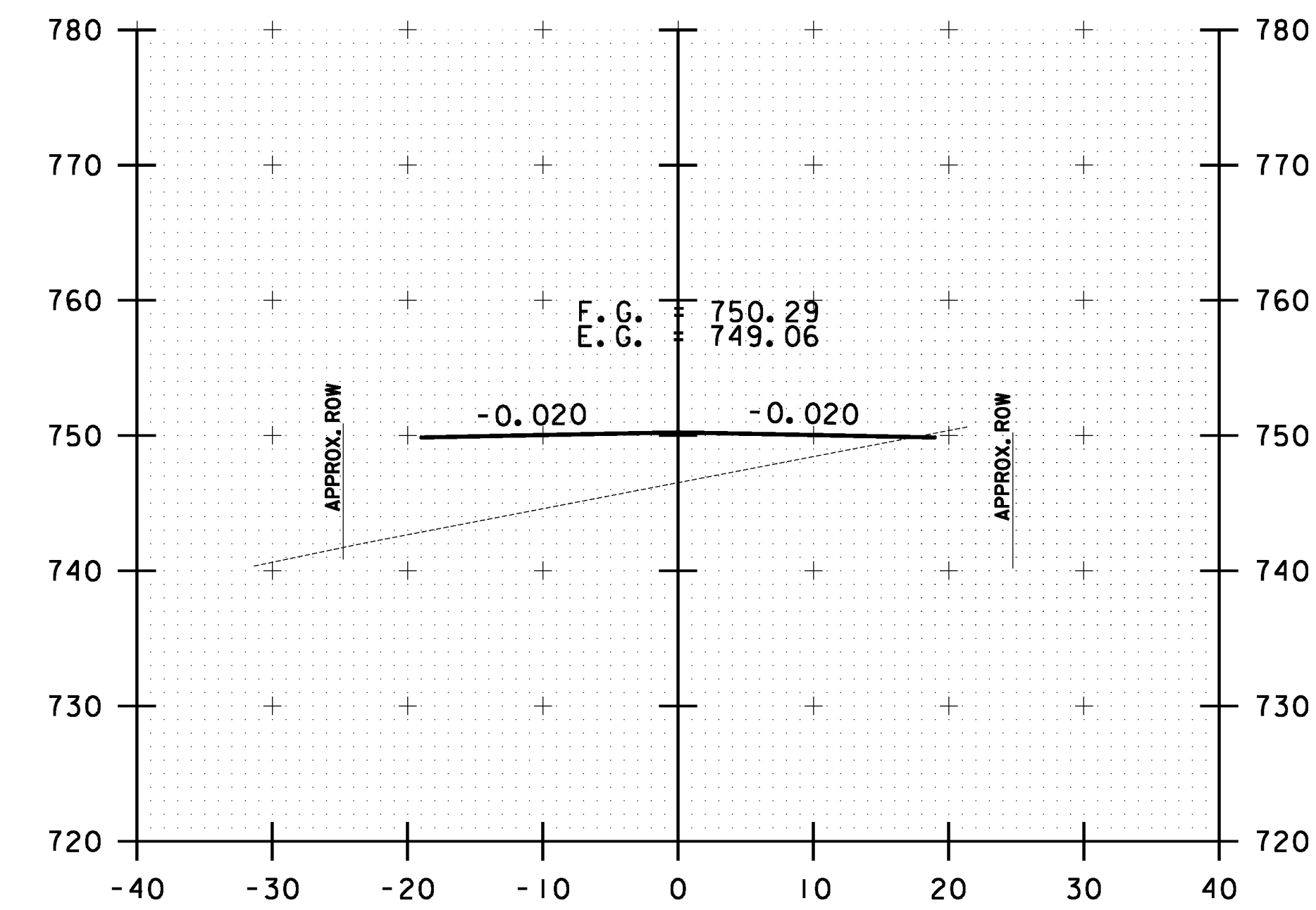
FILE NAME = Y:\P\c\stc\stc\ANY\X2\22425\CADD\MSTN\10b214_stock.nc.dgn
 DATE/TIME = 3/17/2014
 USER = 4916



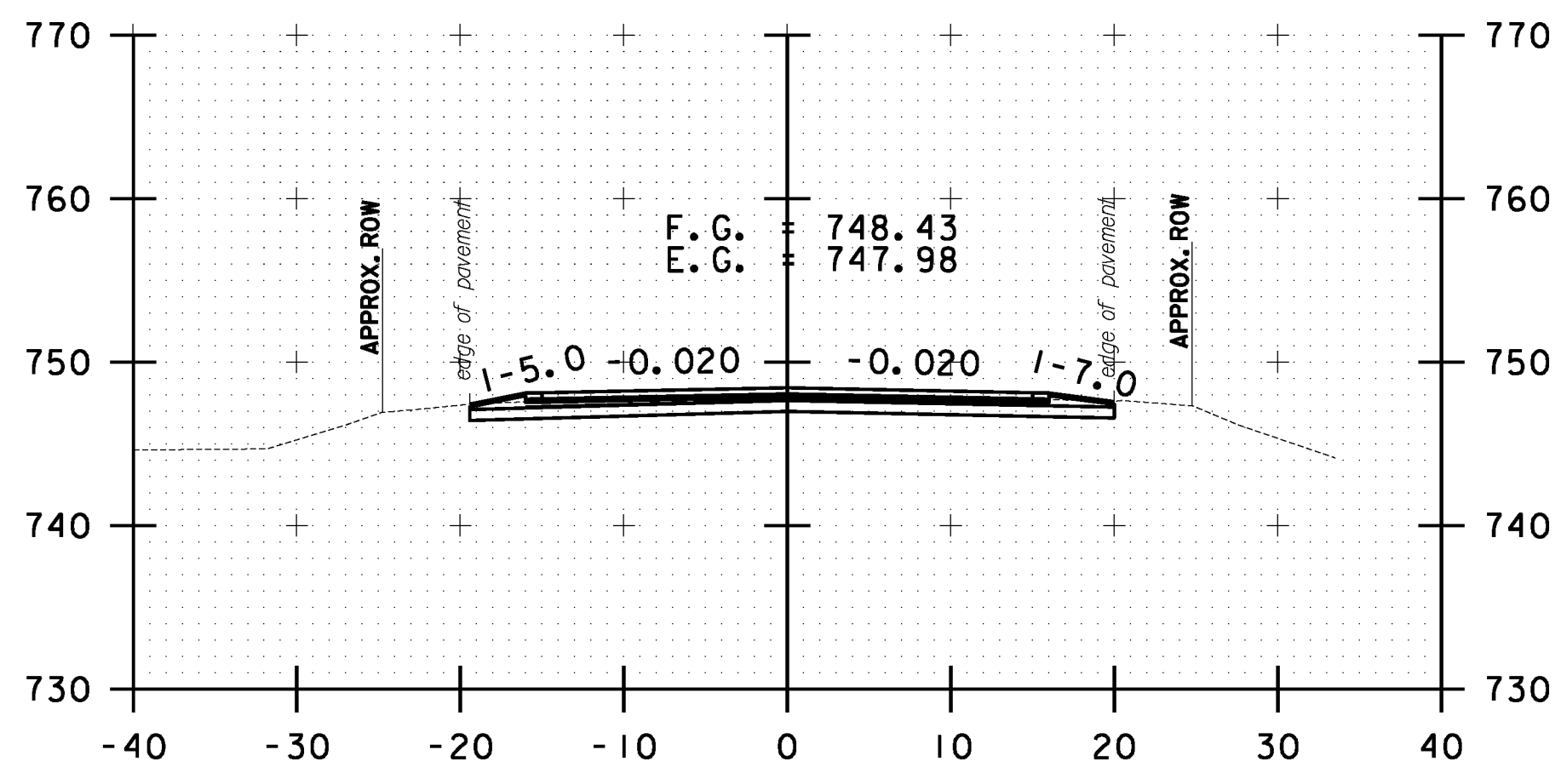
8+00.00



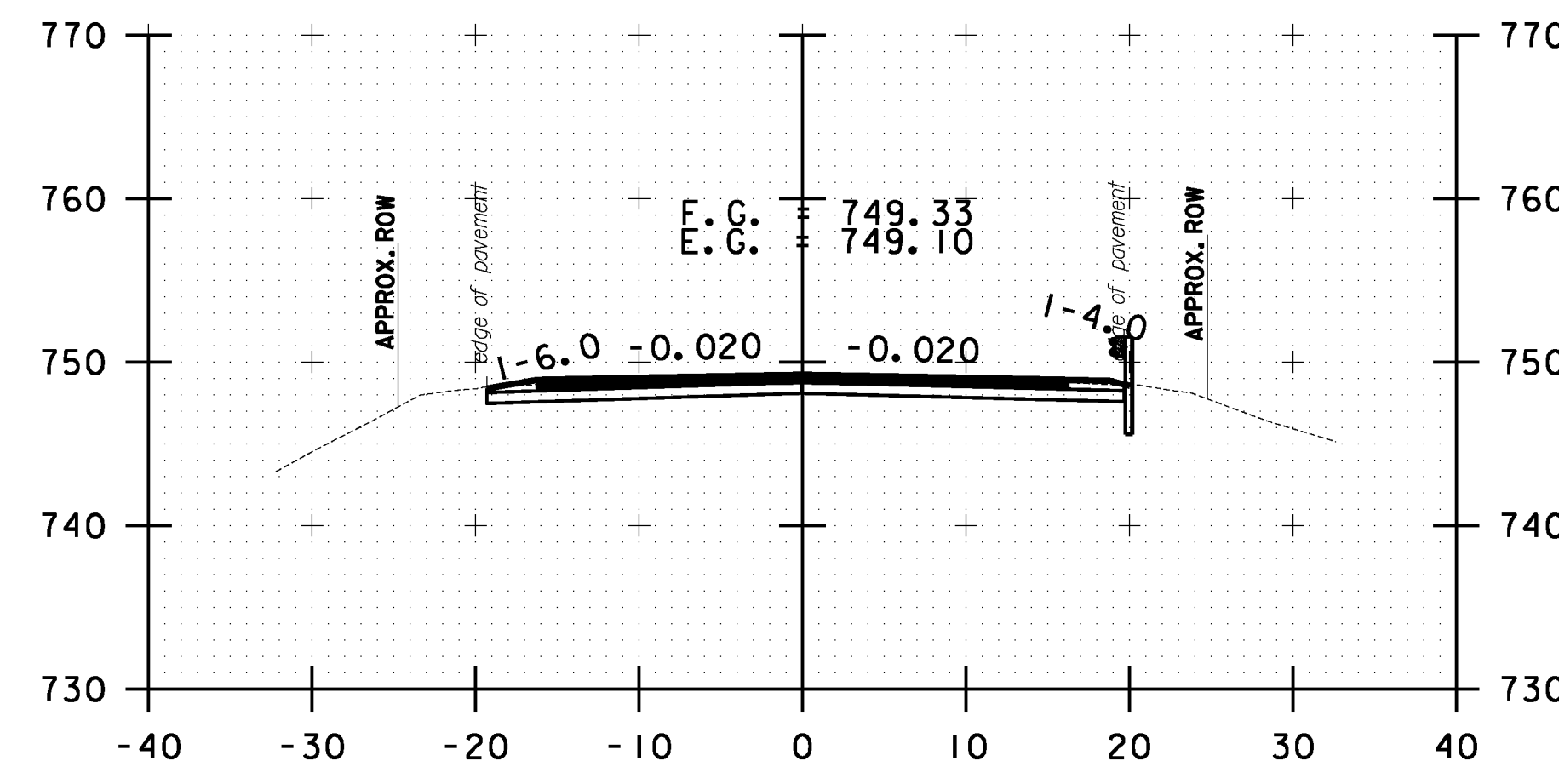
9+50.00



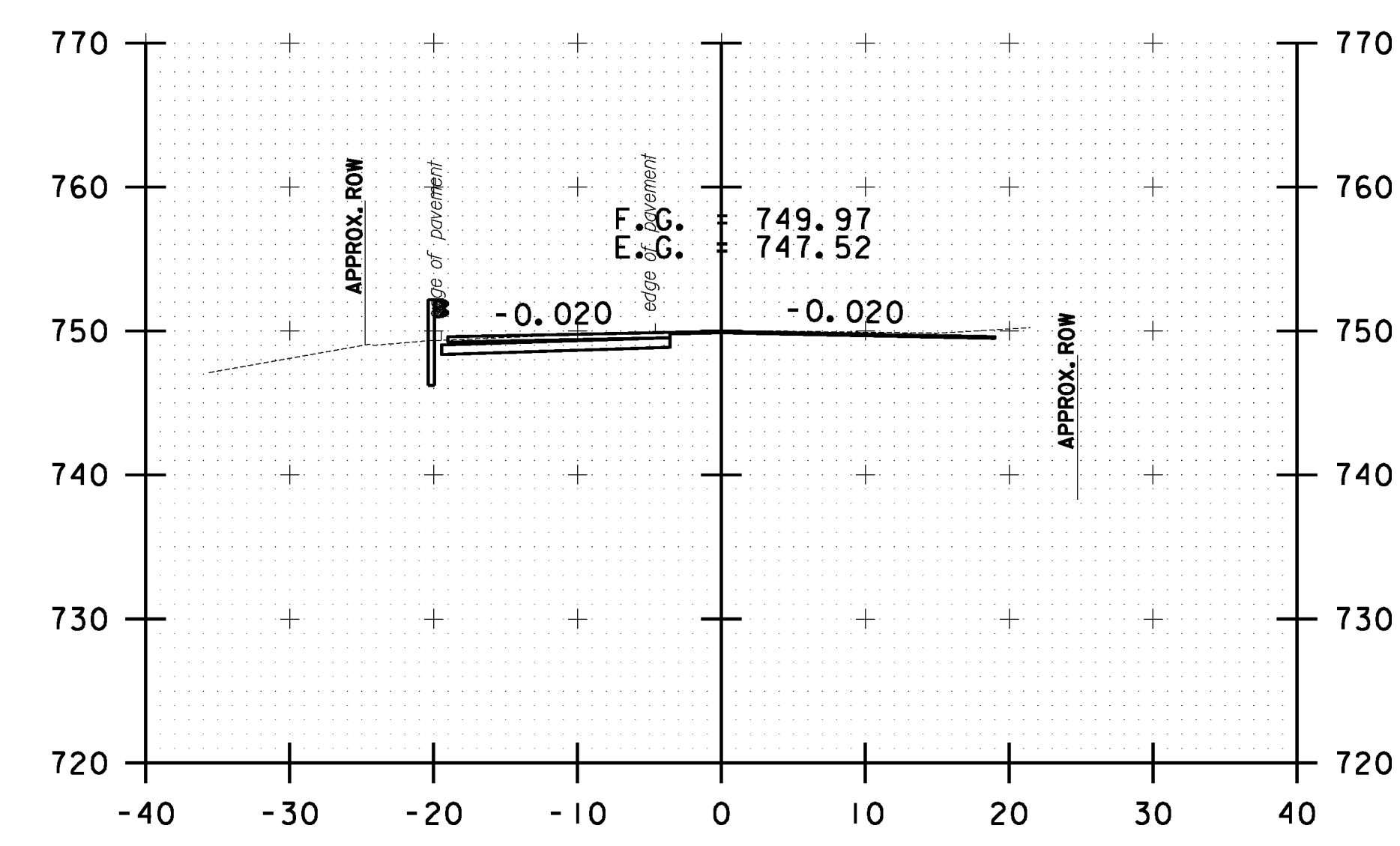
10+50.00
(BR 1)



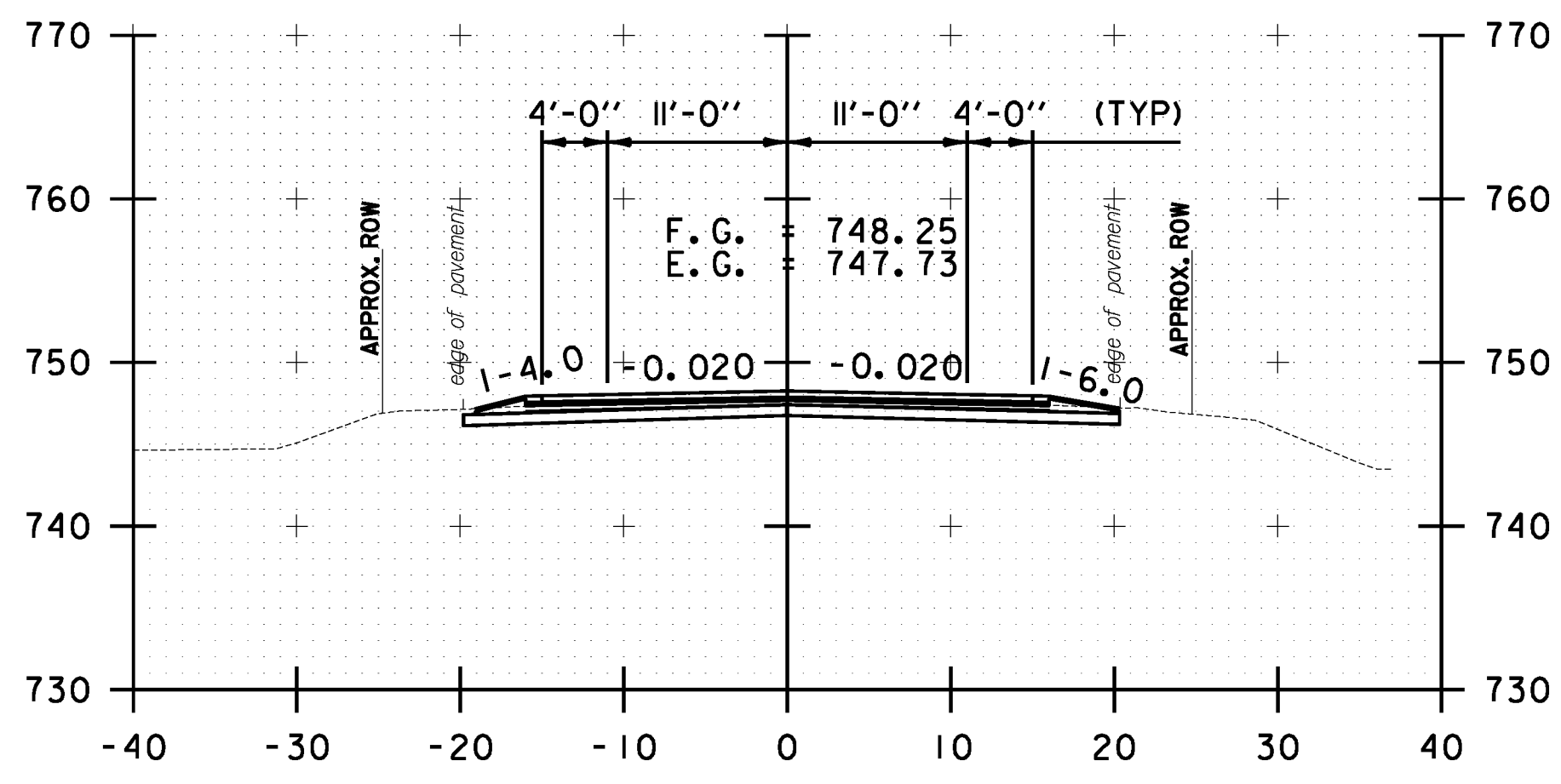
7+50.00



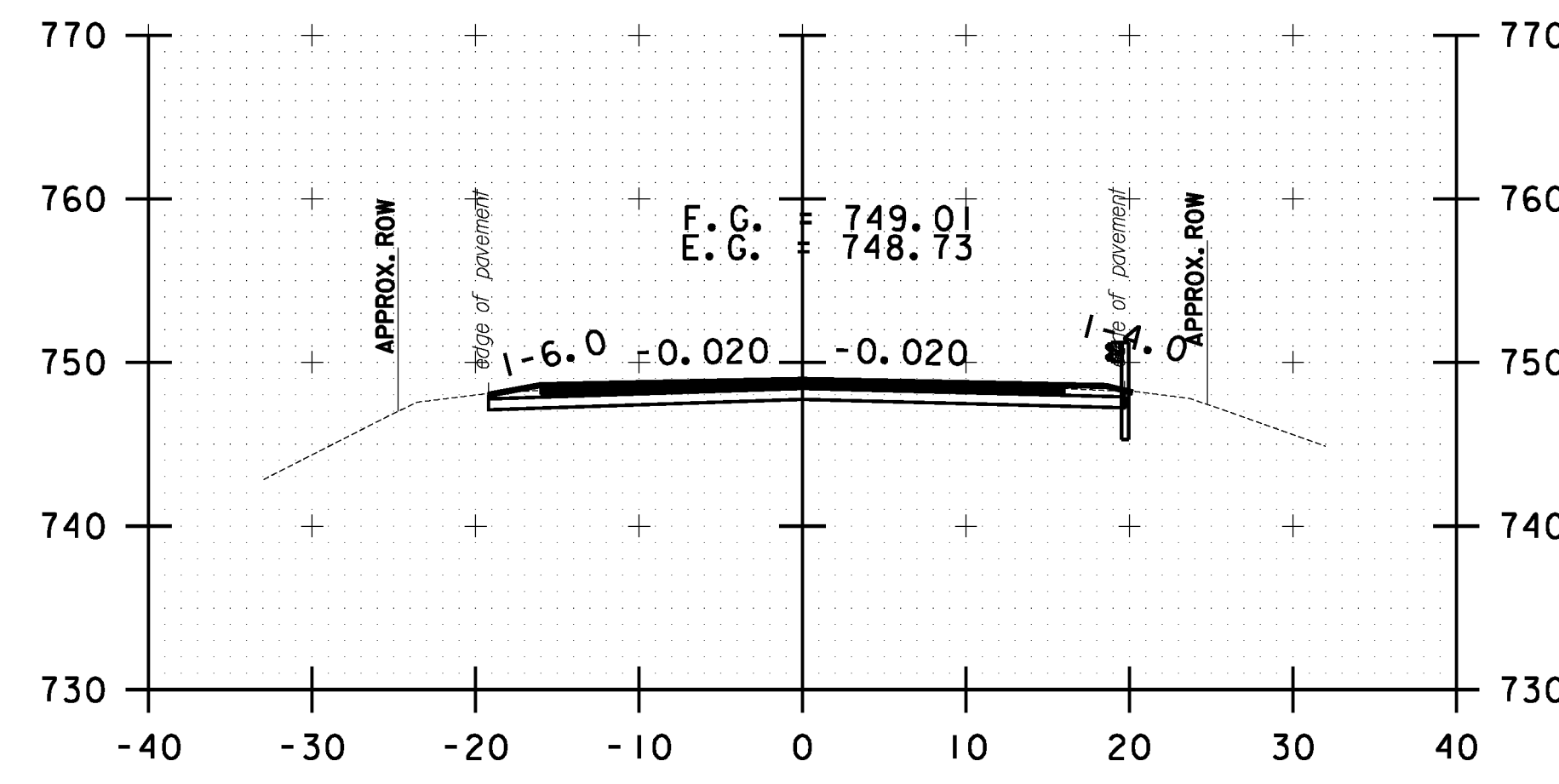
9+00.00



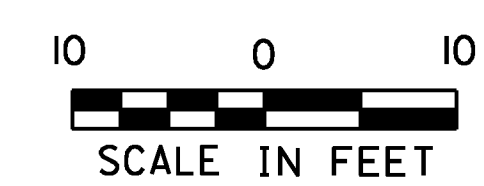
10+00.00
(BR 1)



7+00.00



8+50.00



STOCKBRIDGE CROSS SECTION SHEET #3	PROJECT NAME: STOCKBRIDGE-BETHEL
	PROJECT NUMBER: STP 2910(1)
	FILE NAME: z10b214_stock.xc.dgn
	PLOT DATE: 3/17/2014
	DESIGNED BY: L.M.B.
	CHECKED BY: J.P.S.
	IPARM FILE: z10b214xs3.1
	DRAWN BY: W.G.P.
	SHEET 216 OF 397