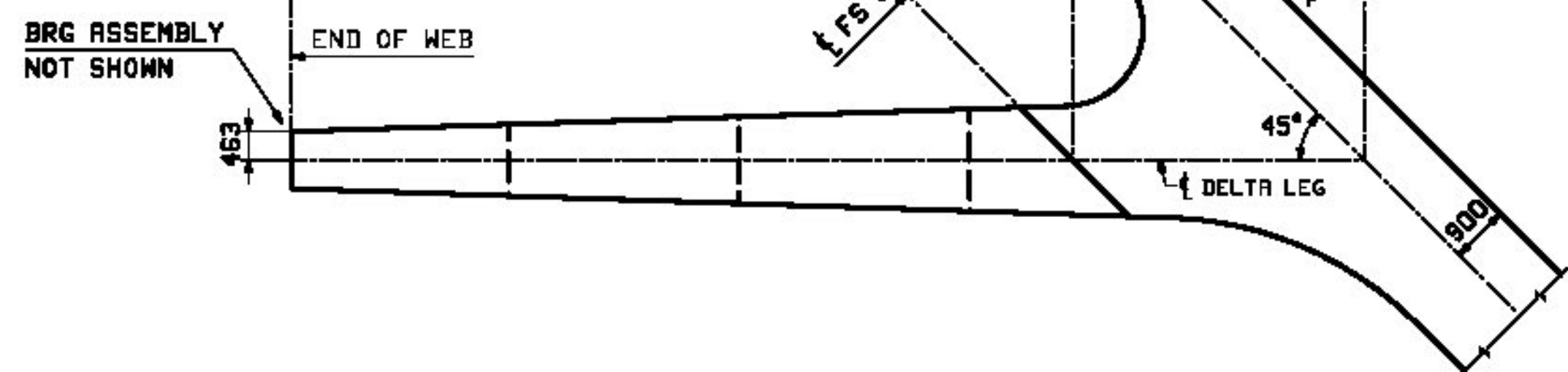
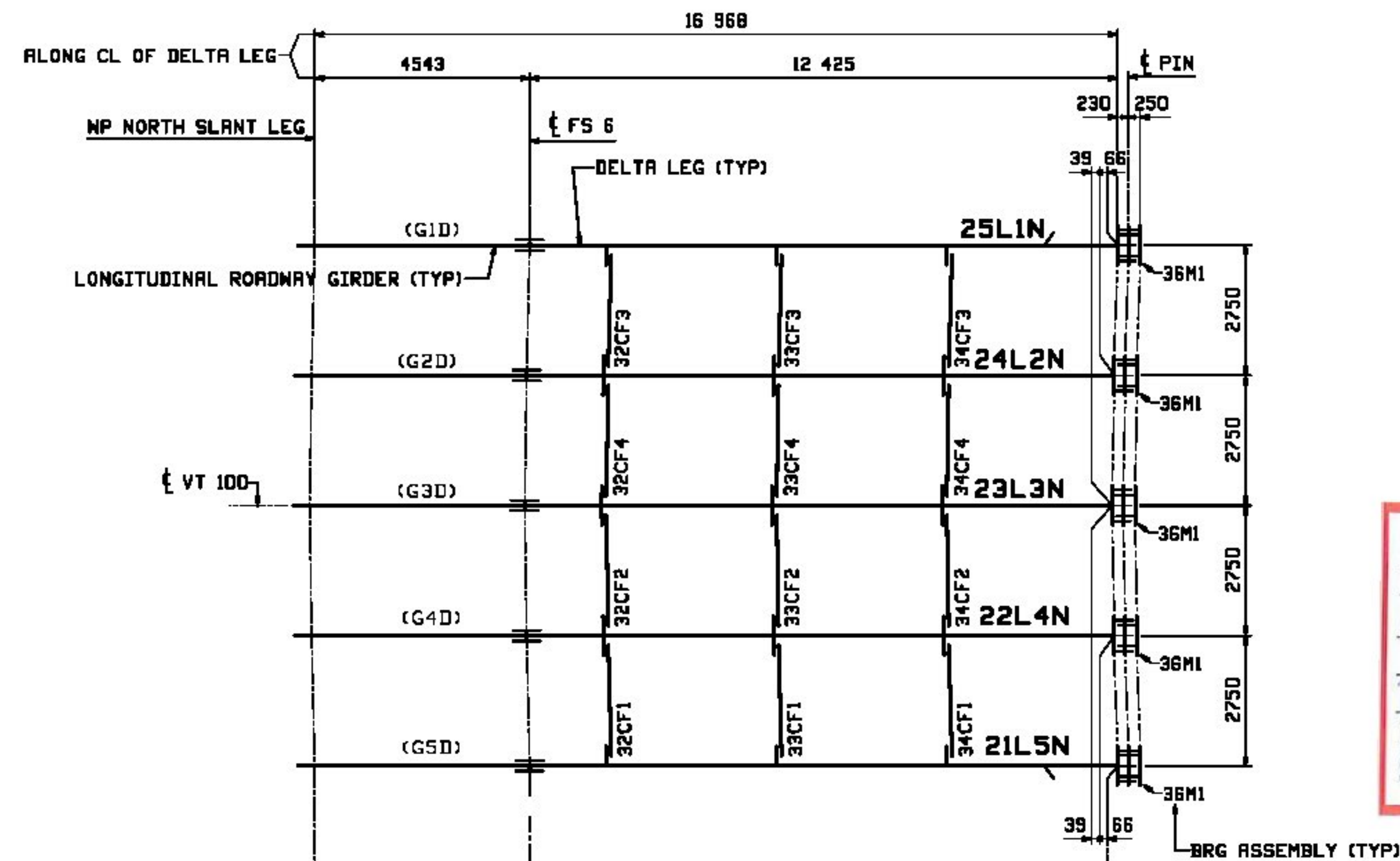


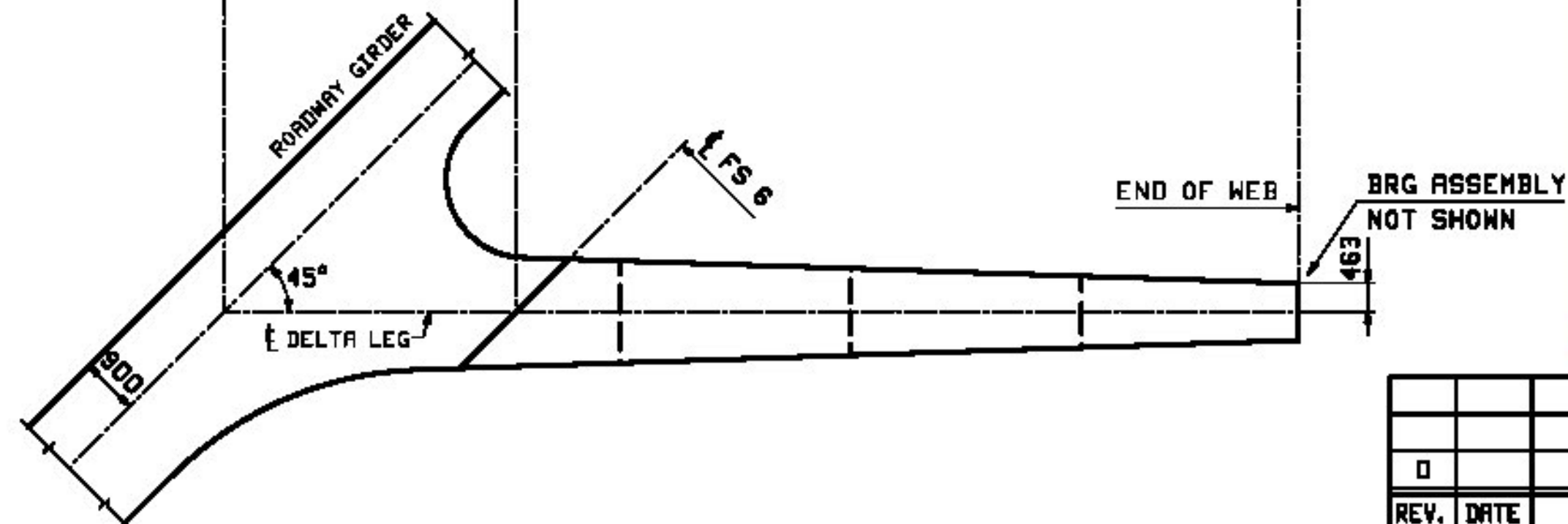
**FRAMING PLAN - SOUTH DELTA LEG**  
PLAN VIEW IS SHOWN NORMAL TO CL OF DELTA LEG



**SECTION AT SOUTH DELTA LEG**



**FRAMING PLAN - NORTH DELTA LEG**  
PLAN VIEW IS SHOWN NORMAL TO CL OF DELTA LEG



**SECTION AT NORTH DELTA LEG**

**VERMONT**  
Agency of Transportation

Approved  
*Douglas E. Bonneau*  
Douglas E. Bonneau, P.E.  
Structures Project Manager

Rejected  
 Furnish as Corrected  
 Revise & Resubmit

Date: 12/10/12

Reviewed  
 Rejected

Furnish As Corrected  
 Revise and Resubmit

This review is only for general conformance with the design concept and the information given in the Construction Documents. Corrections or comments made on the shop drawings during the review do not relieve the Contractor from compliance with the requirements of the Plans and Specifications. Review of a specific item shall not include review of an assembly of which an item is a component. The Contractor is responsible for dimensions to be confirmed and corrected at the job site; information that pertains solely to the fabrication process or to the means, methods, techniques, sequences and procedures of construction, coordination of the Work with that of other trades and performing all Work in a safe and satisfactory manner.

Date: October 24, 2012  
By: D. Hill

**McFarland Johnson**

REV.	DATE	REMARKS	DWN	CHK	APVL	SHOP
MATERIAL:		SURFACE PREP. & PAINT:	HOLES:		SHOP BOLTS:	
DESCRIPTION: FRAMING PLAN						
CASCO BAY STEEL STRUCTURES, INC. 1 WALLACE AVE. PHONE (207) 780-6722 SOUTH PORTLAND, ME 04106 FAX. (207) 780-6726						
STRUCTURE:	VT 100 OVER LAHOILLE RIVER MORRISTOWN, VT LAHOILLE COUNTY STP F 028-1 (2) C/1	DRAWN:	JTB	DATE:	08/21	
		CHKD:	PCP	DATE:	09/17	
LOCATION:	MORRISTOWN, VT	JOB NO.	DWG NO.		E3	
PROJ NO.	STP F 028-1(2)C/1	521	REV.		△	
CUSTOMER:	MINTERSET, INC.					

WORK THIS DRAWING WITH DRAWINGS E1 & E2