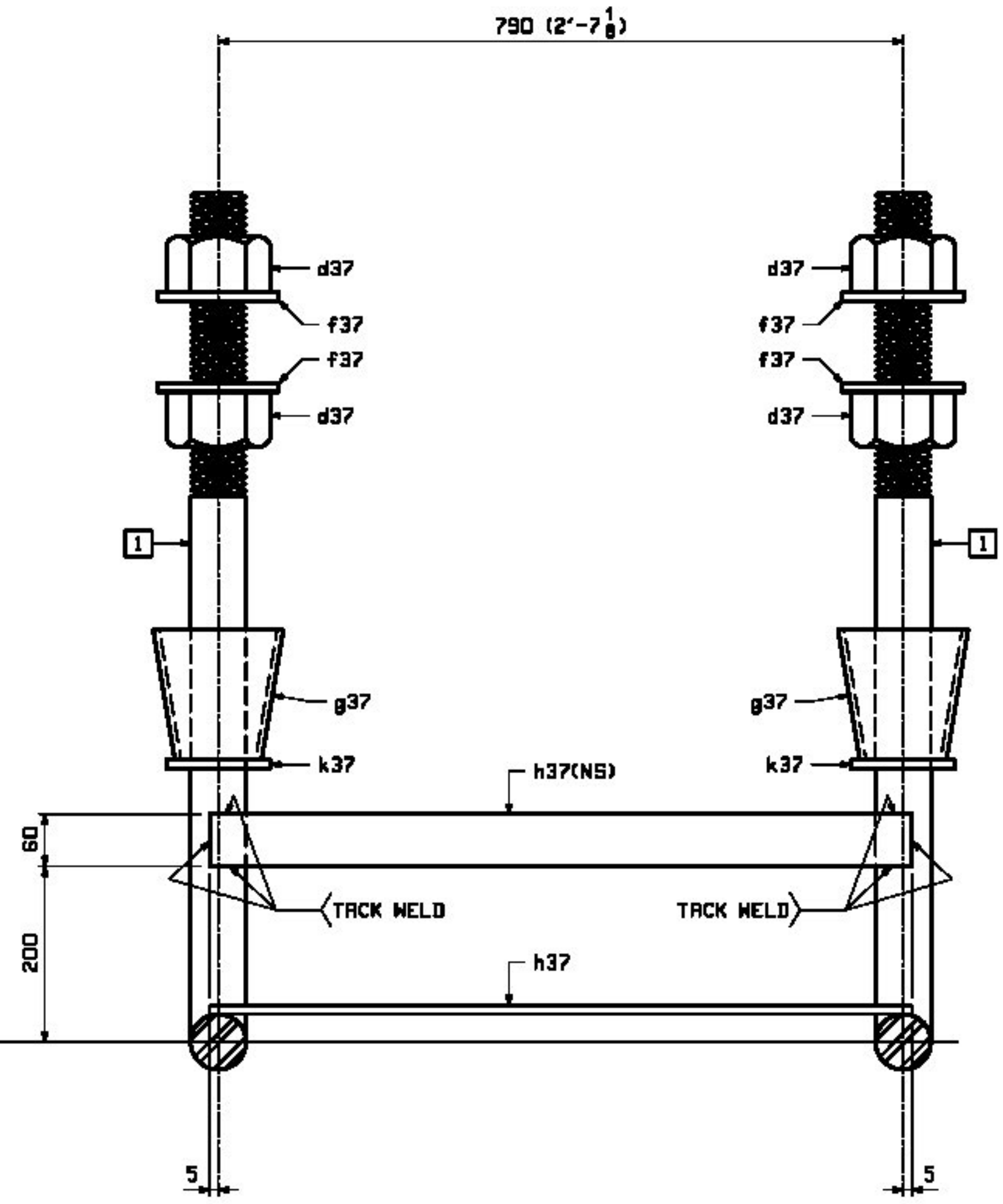
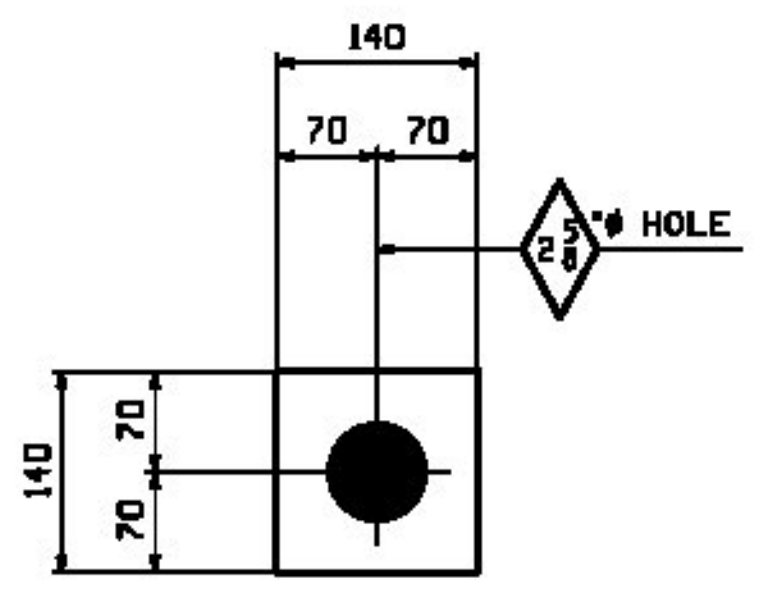


ANCHOR BOLT DETAIL ~ MARK
NORTH & SOUTH SLANT LEGS

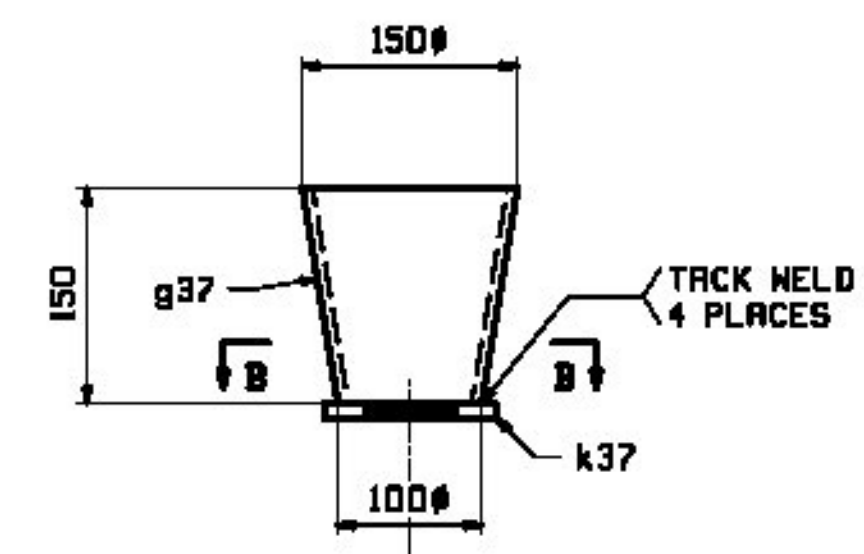
MARK	QTY	Ⓐ	Ⓑ	Ⓘ
LINES 1 & 5 37AB1	4	860	2206 (7'-2 7/8")	a37
LINES 2 & 4 37AB2	4	930	2346 (7'-8 3/8")	b37
LINE 3 37AB3	2	970	2426 (7'-11 1/2")	c37



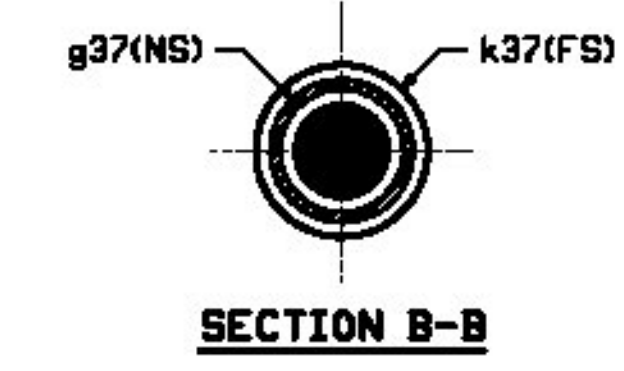
SECTION A-A



DETAIL ~ f37



SUB-ASS'Y DETAIL ~ g37 & k37



SECTION B-B

BILL OF MATERIAL				JOB NO.	DRAWING NO.	REV.
MARK	QTY	MARK	MATERIAL	REMARKS	MT	PROCUREMENT NOTES
37AB1	4		ANCHOR BOLT ASSEMBLY	GALV.	150	
10 B	8	a37	2 1/2" x 800	F15541-25	2 1/2"	150
10 D	32	d37	2 1/2" x 100	F15541-25	2 1/2"	150
10 C	32	f37	PL 10x140	F15541-25	2 1/2"	150
10 F	16	g37	CONC	PER DESIGN SHEET #2	2 1/2"	150
10 E	12	h37	PL 6x80	F15541-25	2 1/2"	150
10 G	16	k37	2 1/2" x 100	F15541-25	2 1/2"	150

VERMONT
Agency of Transportation

Approved _____ Rejected _____
Furnish as Corrected _____ Revise & Resubmit _____

Douglas E. Bourneau 12/10/12
Date

Douglas E Bourneau, P.E.
Structures Project Manager

Reviewed Furnish As Corrected
 Rejected Revise and Resubmit

This review is only for general conformance with the design concept and the information given in the Construction Documents. Corrections or comments made on the shop drawings during the review do not relieve the Contractor from compliance with the requirements of the Plans and Specifications. Review of a specific item shall not include review of an assembly of which an item is a component. The Contractor is responsible for dimensions to be confirmed and corrected at the job site; information that pertains solely to the fabrication process or to the means, methods, techniques, sequences and procedures of construction; coordination of the Work with that of other trades and performing all Work in a safe and satisfactory manner.

Date: October 24, 2012
By: D. Kull

McFarland Johnson

- NOTES:**
- SEE SHEET GNI FOR GENERAL NOTES.
 - ASSEMBLIES TO BE GALVANIZED AFTER FABRICATION.
 - DIMENSIONS SHOWN IN PARENTHESES ARE IN ENGLISH UNITS.

REV.	DATE	REMARKS	DMR	CHK	APVL	SHOP
10/10	REV'D	MARK IN S.O.M.	EEO	PCP		
10/4/12	REV'D	ANCHOR BOLT MATERIAL	EEO	PCP		

MATERIAL: SURFACE PREP. & PAINT: HOLES: SHOP BOLTS:

DESCRIPTION: ANCHOR BOLT DETAILS

CASCO BAY STEEL STRUCTURES, INC.
1 WALLACE AVE. PHONE (207) 780-6722
SOUTH PORTLAND, ME 04106 FAX. (207) 780-6726

STRUCTURE: VT 100 OVER LAHOILLE RIVER
MORRISTOWN, VT LAHOILLE COUNTY
STP F 029-1 (2) C/1

LOCATION: MORRISTOWN, VT JOB NO. DWG NO.
PROJ NO. STP F 029-1(2)C/1 521 37
CUSTOMER: MINTERSET, INC. REV. ⚠