

Vermont Agency of Transportation

**RECEIVED**

CK'D BY D. Bonneau OK'D BY D. Bonneau

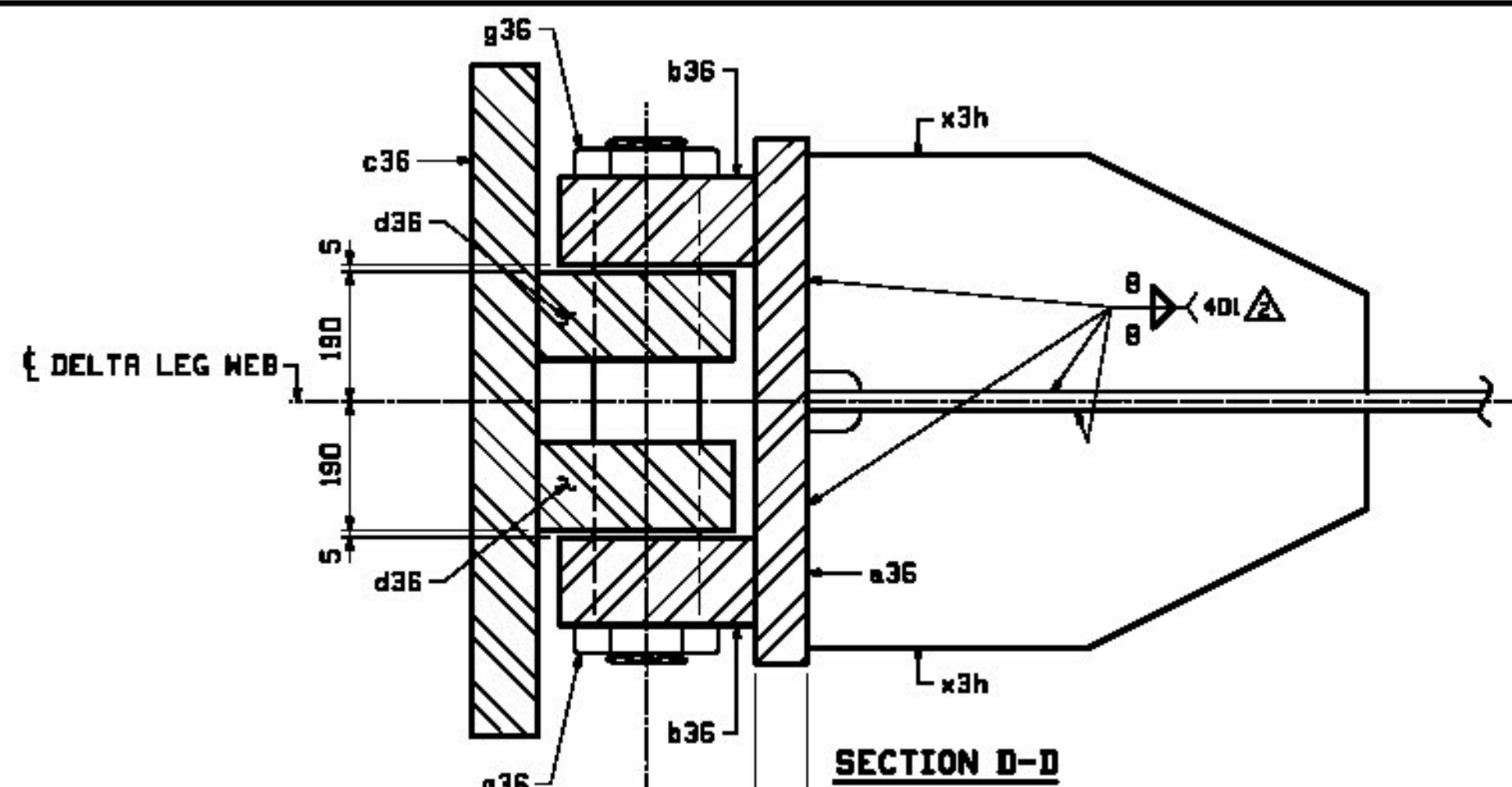
January 8, 2013

RESUBMIT No Approved  
BY Tina Bohl DATE 01/08/13

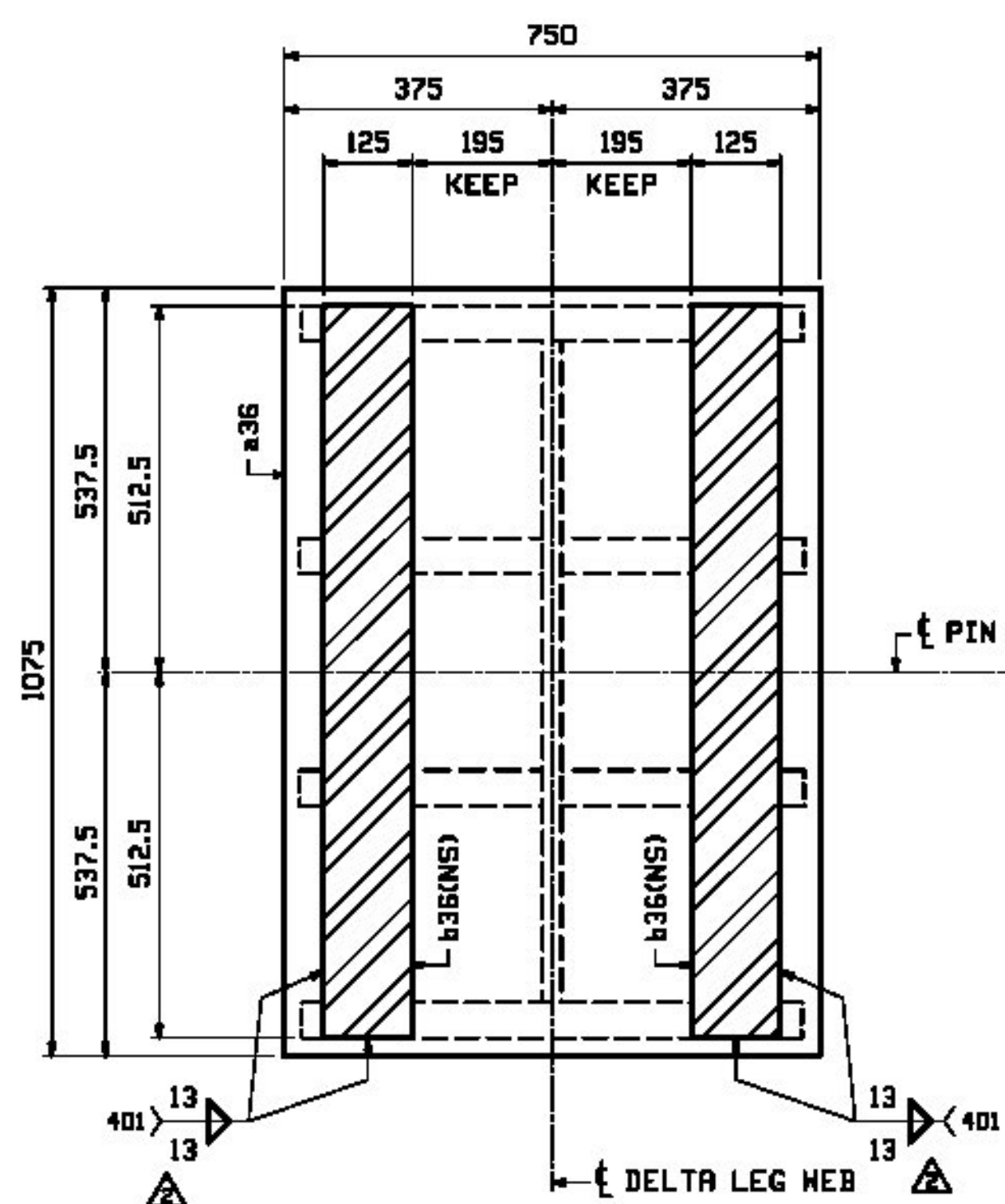
SEE NOTE "X"

BILL OF MATERIAL				JOB NO.	DRAWING NO.	REV.
QTY	UNIT	DESCRIPTION	MATERIAL	REMARKS	MT	PROCUREMENT NOTES
10		BEARING ASSEMBLY			4200	
5	S	10 a36	PL 75x750		478	
5	T	20 b36	PL 125x289		511	
5	V	10 c36	PL 95x780		530	
5	U	20 d36	PL 125x301		507	
5	M	12 f36	ROD 190		102	
5	X	24 g36	RECESSED PIN NUT		402	

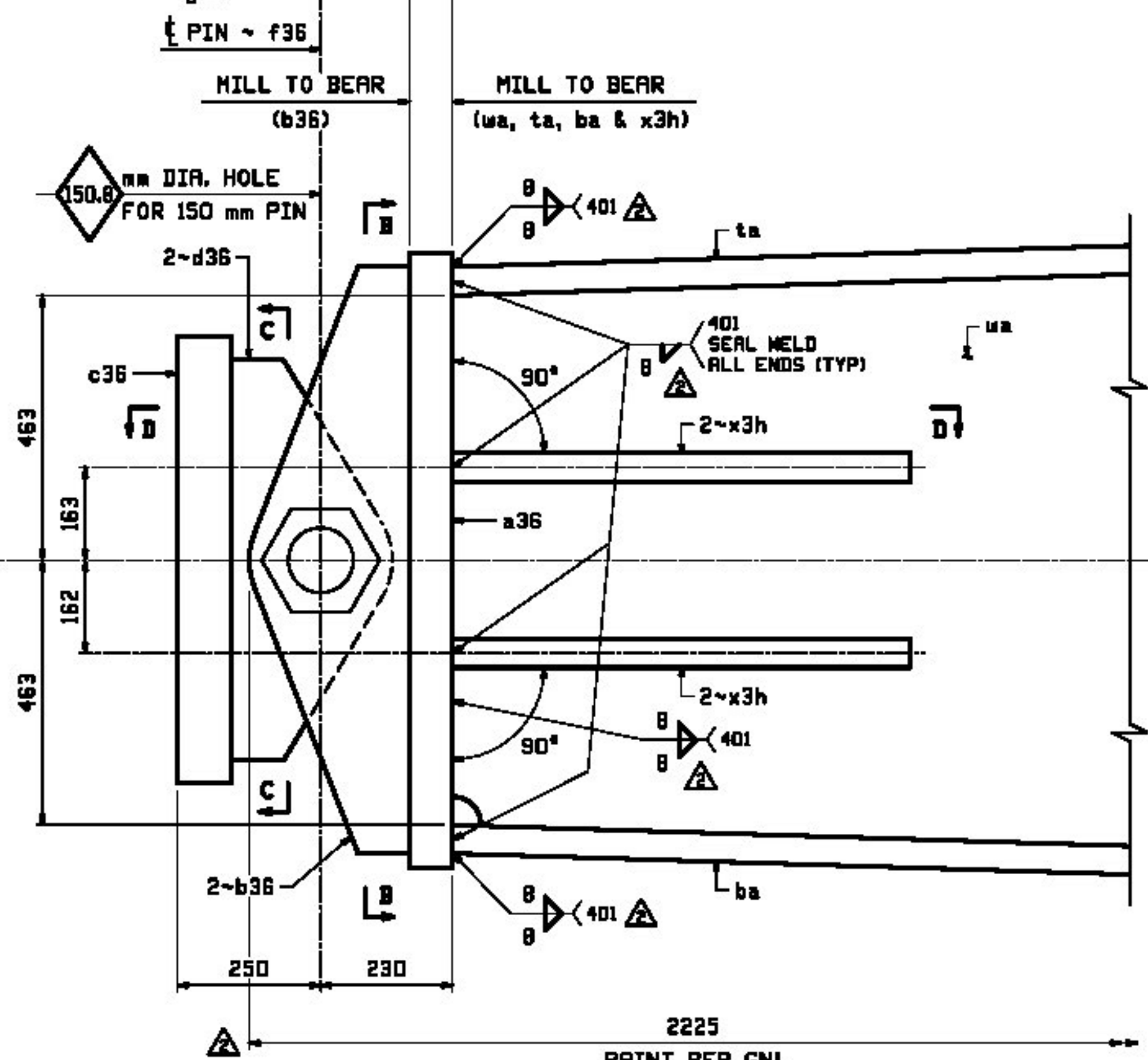
NOTE "X"  
2 EXTRA PINS (f36) AND 4 EXTRA RECESSED PIN NUTS (g36) ARE PROVIDED FOR THE RESIDENT ENGINEER, PER NOTE 9 ON DESIGN SHEET 4 OF 123.



SECTION D-D

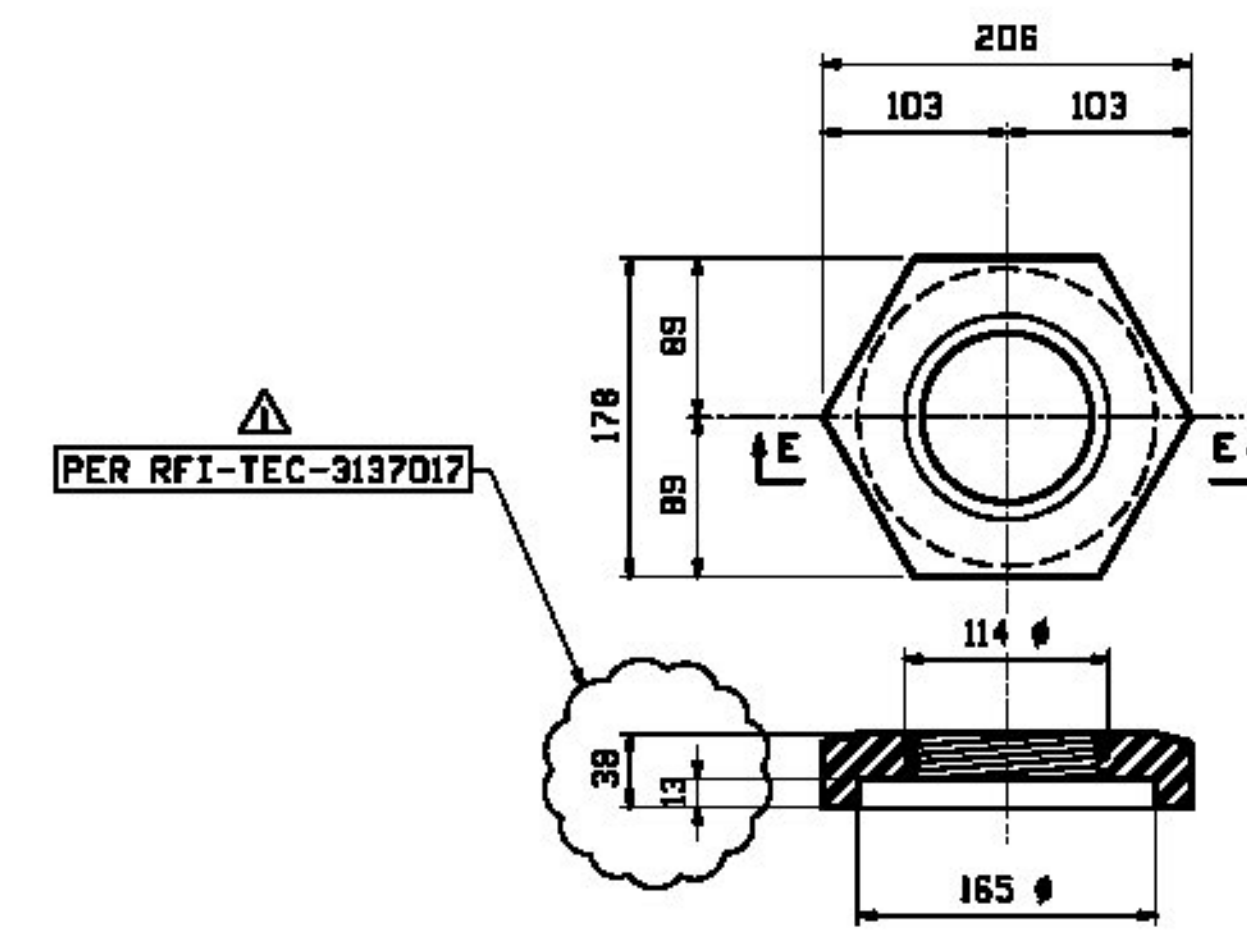
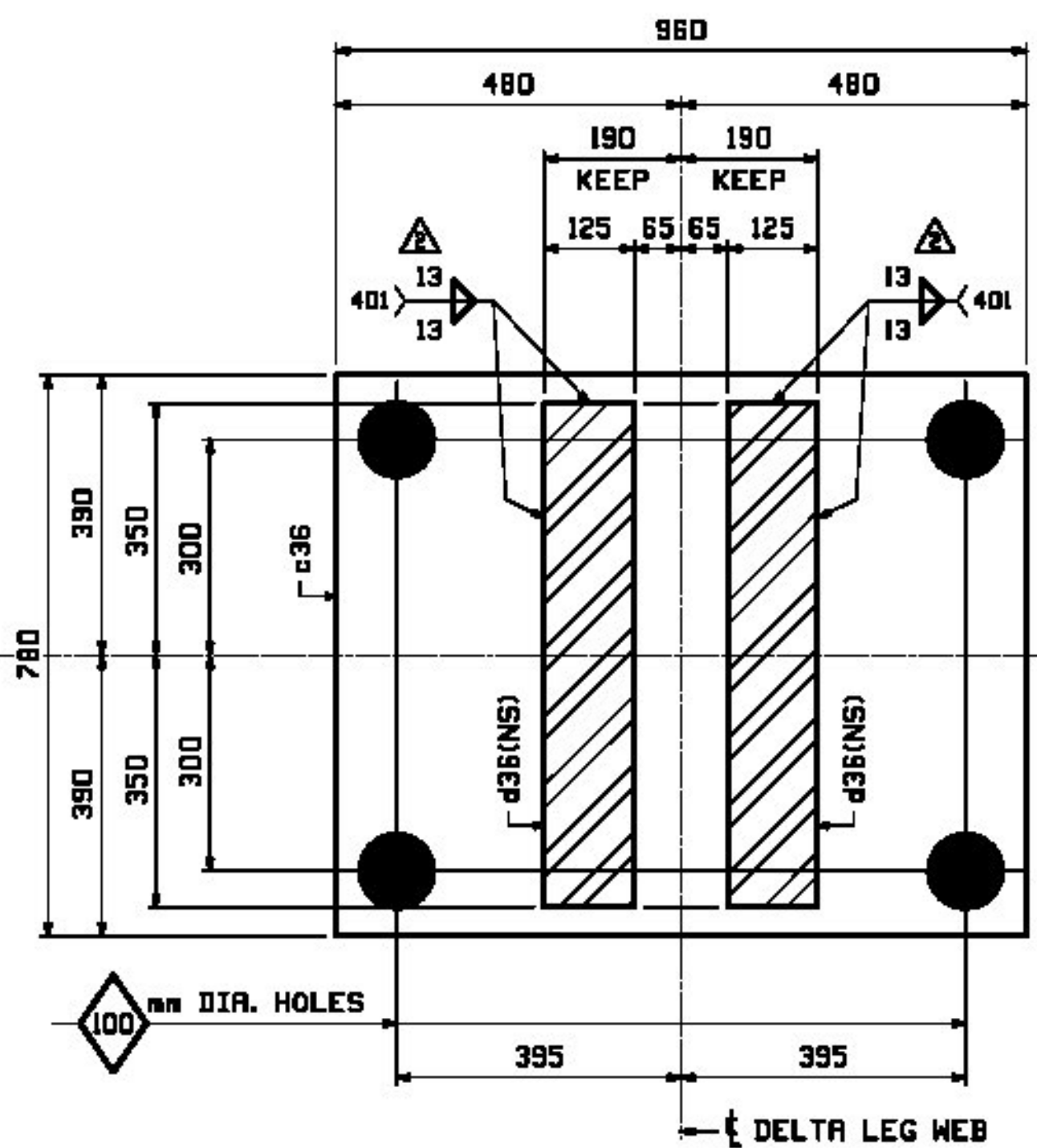


SECTION B-B



SECTION C-C

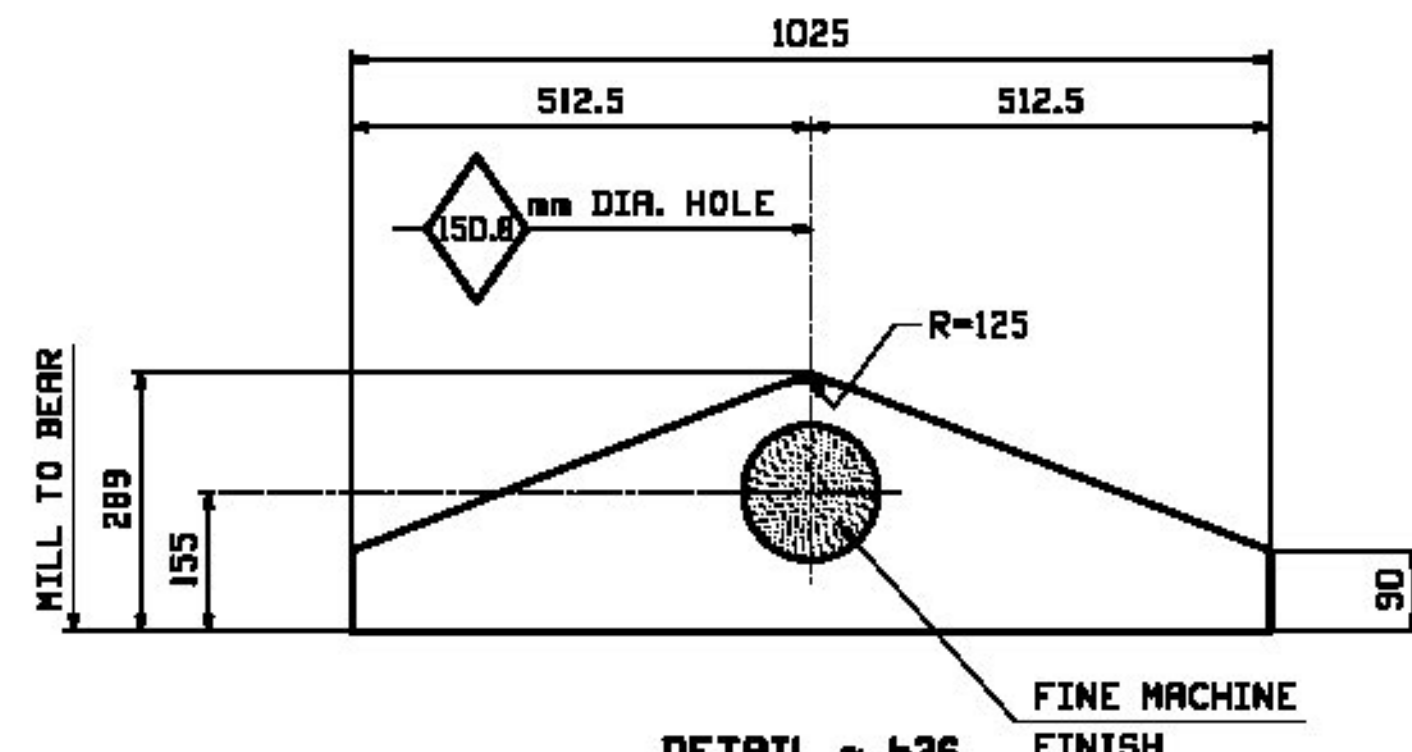
GALVANIZE ALL SURFACES EXCEPT FINE MACHINE FINISH IN 150.80 mm  $\phi$  HOLES. APPLY SEALER.



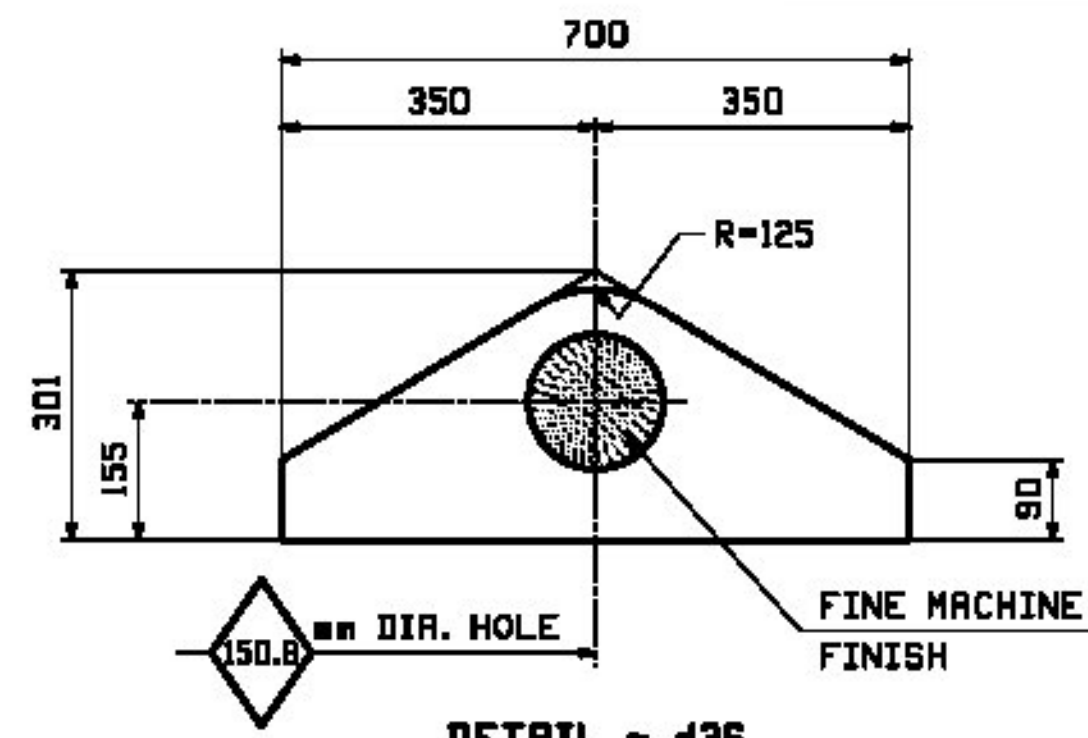
SECTION E  
DETAIL ~ g36

10 ~ BEARING ASSEMBLY ~ 36BA1

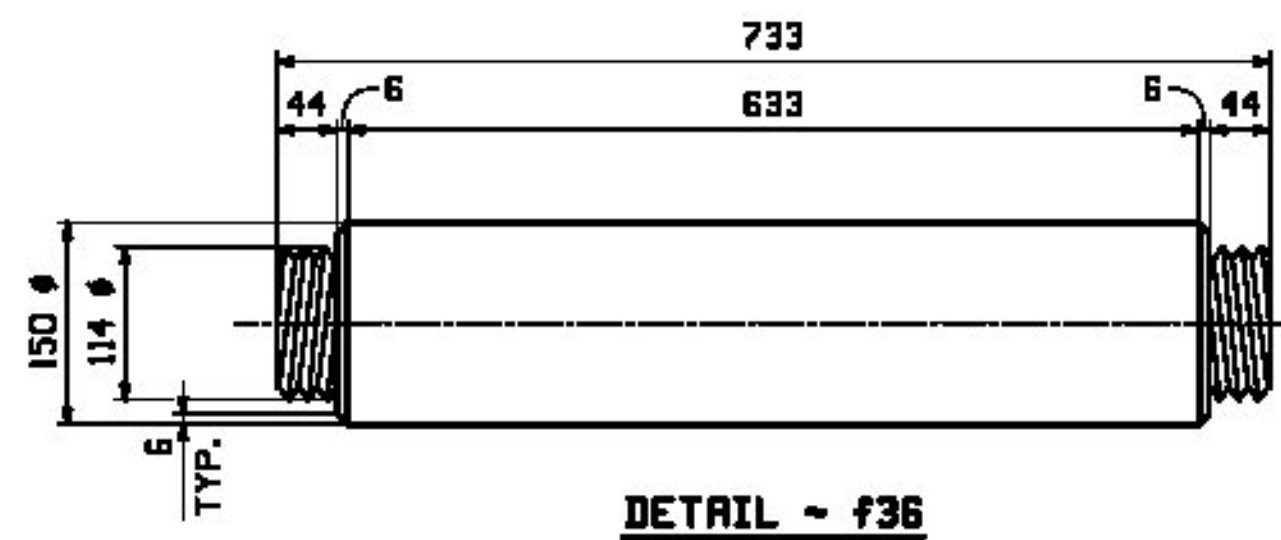
DETAIL "I"



DETAIL ~ b36



DETAIL ~ d36



DETAIL ~ f36

DO NOT SHIP FROM THIS SHEET

REV.	DATE	REMARKS	APPV.	CHK.	APVL.	SHOP
12/19		APPROVAL COMMENTS	EEO	PCP		
11/2/12		REV'D THICKNESS OF RECESSED NUT (g36)	EEO	ML		
MATERIAL:		SURFACE PREP. & PRINT:	HOLES:		SHOP BOLTS:	
M270M-345W U.N.		AS NOTED	AS NOTED		NONE	
DESCRIPTION: STANDARD DETAILS						
CASCO BAY STEEL STRUCTURES, INC.						
1 WALLACE AVE.			PHONE (207) 780-6722		TENSOR 510/PC	
SOUTH PORTLAND, ME 04106			FAX: (207) 780-6726			
STRUCTURE: VT 100 OVER LAHOILLE RIVER			DRAWN: EEO		DATE: 08/29	
MORRISTOWN, VT LAHOILLE COUNTY			CHKD: PCP		DATE: 09/17	
STP F 029-1 (2) C/1						
LOCATION: MORRISTOWN, VT			JOB NO. 521		DWG NO. 36	
PROJ NO. STP F 029-112C/1					REV. 36	
CUSTOMER: MINTERSET, INC.						