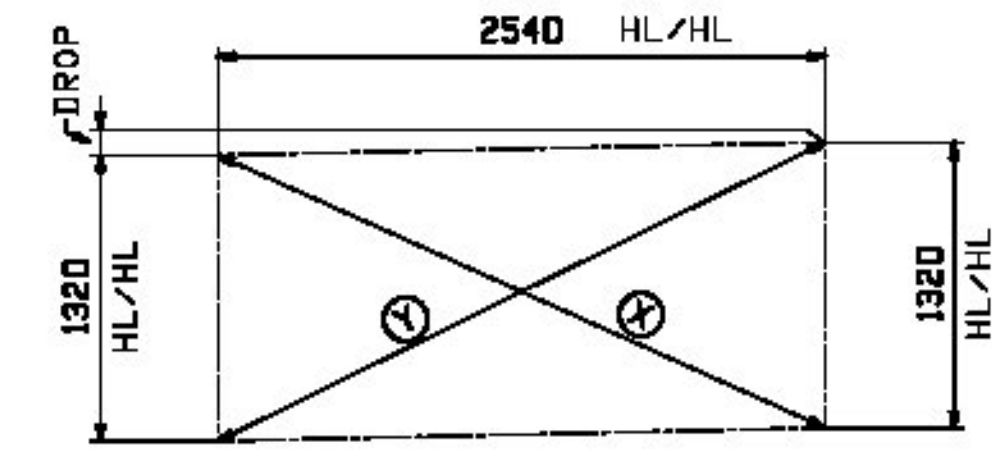
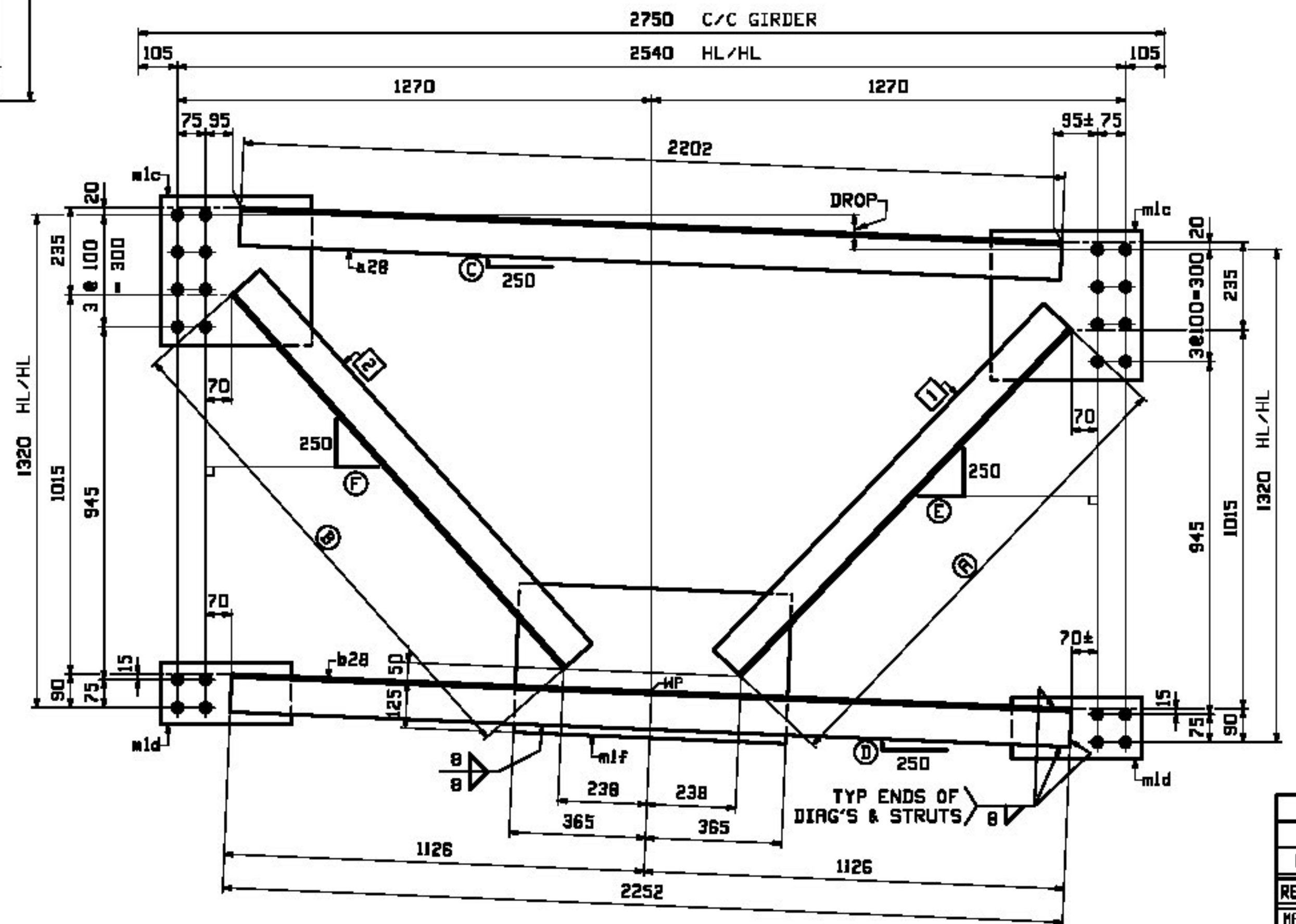


INT. CROSSFRAMES - MARK "A"
TYPE D2 - LOOKING UP-STATION

MARK "A"	QTY	DROP	(A)	(B)	(C)	(D)	(E)	(F)	(X)	(Y)	(1)	(2)
28CF1	10	93	1283	1339	11	10	238	222	2821	2907	c28	d28
28CF2	10	55	1294	1328	6	6	235	225	2838	2888	f28	g28



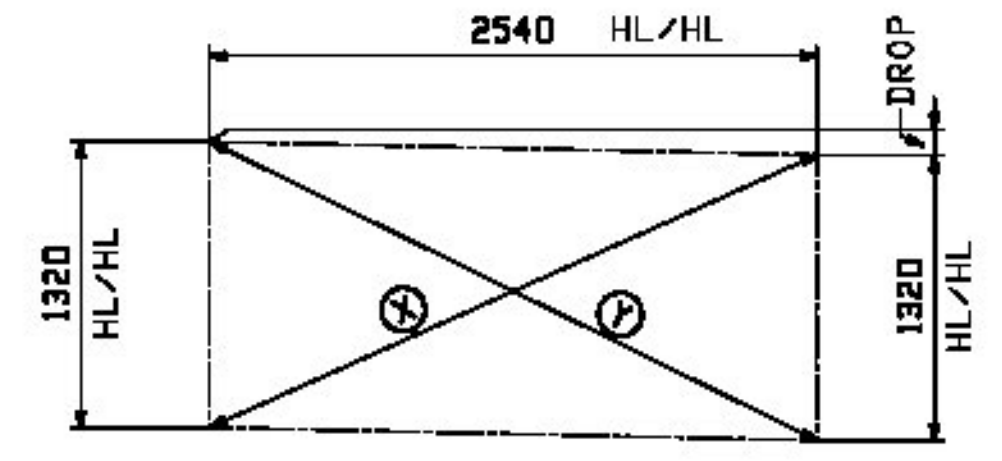
CROSS CHECK - MARK "A"



INT. CROSSFRAMES - MARK "B"
TYPE D2 - LOOKING UP-STATION

MARK "B"	QTY	DROP	(A)	(B)	(C)	(D)	(E)	(F)	(X)	(Y)	(1)	(2)
28CF3	10	93	1283	1339	11	10	238	222	2821	2907	c28	d28
28CF4	10	55	1294	1328	6	6	235	225	2838	2888	f28	g28

BILL OF MATERIAL										JOB NO.	DRAWING NO.	REV.
										521	28	
PAGE	LINE	MARK	QTY	MARK	MATERIAL	LENGTH	REMARKS	MT	PROCUREMENT	NOTES		
		28CF1	10		CROSSFRAMES					178	178	
		28CF3	10		CROSSFRAMES					178	178	
4	J	20	a28	L	102x102x9.5	2	202			32	32	
4	J	20	b28	L	102x102x9.5	2	252			32	32	
4	K	20	c28	L	102x102x9.5	1	263			18	18	
4	K	20	d28	L	102x102x9.5	1	339			32	32	
4	M	40	m1c	PL	13x400	0	405			17	17	
4	N	40	m1d	PL	13x165	0	350			8	8	
4	P	20	m1f	PL	13x400	0	730			20	20	
		28CF2	10		CROSSFRAMES					178	178	
		28CF4	10		CROSSFRAMES					178	178	
4	J	20	a28	L	102x102x9.5	2	202			32	32	
4	J	20	b28	L	102x102x9.5	2	252			32	32	
4	K	20	f28	L	102x102x9.5	1	254			18	18	
4	K	20	g28	L	102x102x9.5	1	328			32	32	
4	M	40	m1c	PL	13x400	0	405			17	17	
4	N	40	m1d	PL	13x165	0	350			8	8	
4	P	20	m1f	PL	13x400	0	730			20	20	



CROSS CHECK - MARK "B"

Reviewed
 Rejected
 Furnish As Corrected
 Revise and Resubmit

This review is only for general conformance with the design concept and the information given in the Construction Documents. Corrections or comments made on the shop drawings during the review do not relieve the Contractor from compliance with the requirements of the Plans and Specifications. Review of a specific item shall not include review of an assembly of which an item is a component. The Contractor is responsible for dimensions to be confirmed and corrected at the job site, information that pertains solely to the fabrication process or to the means, methods, techniques, sequences and procedures of construction, coordination of the Work with that of other trades and performing all Work in a safe and satisfactory manner.

Date: October 24, 2012
 By: D. Kull

VERMONT
 Agency of Transportation
 Approved
 Rejected
 Furnish as Corrected
 Revise & Resubmit

Douglas E. Borneau, P.E.
 Structures Project Manager
 Date: 12/10/12



REV.	DATE	REMARKS	DWN	CHK	APVL	SHOP
MATERIAL:		SURFACE PREP. & PRINT:		HOLES:		SHOP BOLTS:
M270M-345W		SEE DWG GNI		15/16" φ		NONE
DESCRIPTION: CROSSFRAMES						
CASCO BAY STEEL STRUCTURES, INC.						
1 WALLACE AVE.			PHONE (207) 780-6722			
SOUTH PORTLAND, ME 04106			FAX: (207) 780-6726			
STRUCTURE:	VT 100 OVER LAHOILLE RIVER		DRAWN:	DATE:		
	MORRISTOWN, VT LAHOILLE COUNTY		JTB	08/16		
	STP F 028-1 (2) C/1		CHKD:	DATE:		
			PCP	08/17		
LOCATION:	MORRISTOWN, VT		JOB NO.	DWG NO.		
PROJ NO.	STP F 028-112C/1		521	28		
CUSTOMER:	MINTERSET, INC.			REV. Δ		

NOTE:
FOR GENERAL NOTES AND WELD TERMINATION DETAIL SEE DRAWING GNI.