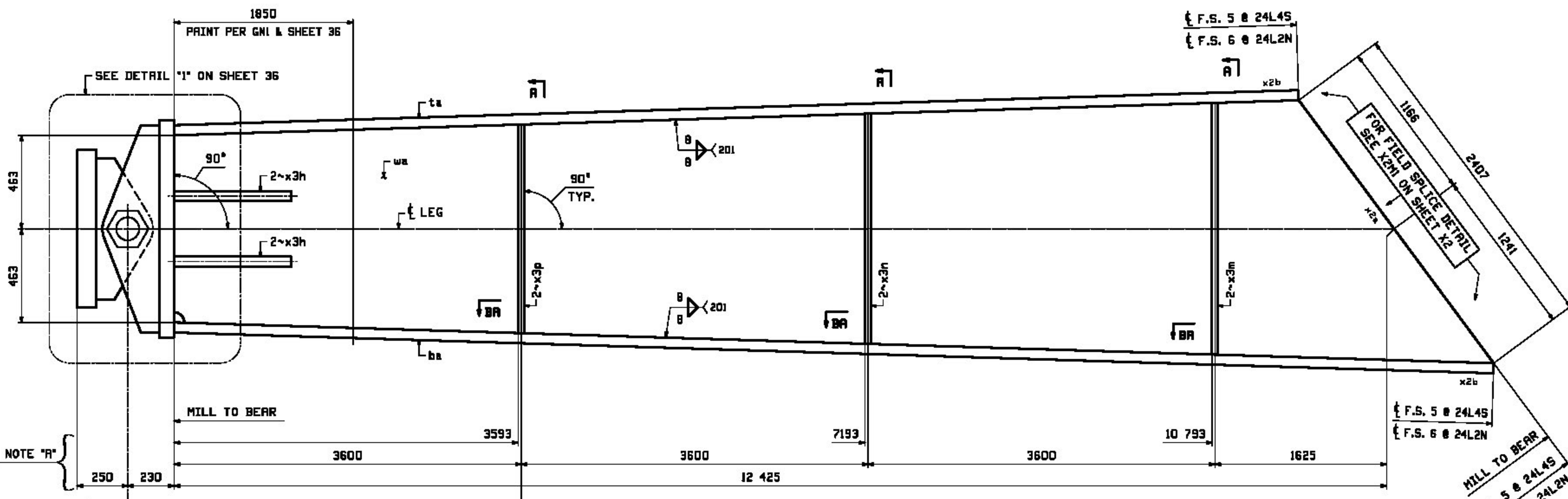
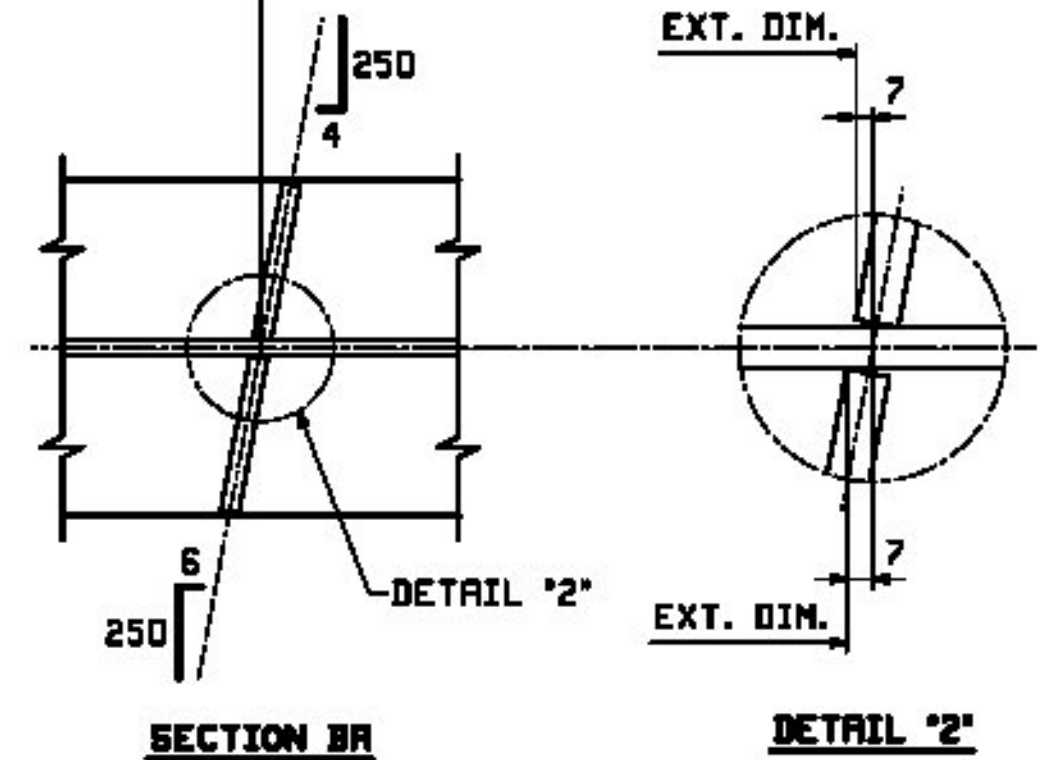


BILL OF MATERIAL				JOB NO.	ISSUING NO.	REV.	
LINE	QTY	MARK	MATERIAL	LENGTH	REMARKS	MT	PROCUREMENT NOTES
1	U	2	wa	PL 25x1646	19 340	MIE	4010 W 3081 L
2	G	2	ta	PL 50x700	11 605	MIE	4010 W 3081 L
2	E	2	bw	PL 50x700	19 311	MIE	4010 W 3081 L
5	R	8	x3h	PL 50x340	0 800	MIE	107 W 738 L
5	H	4	x3m	PL 13x330	1 598		54 W 115 L
5	J	4	x3m	PL 13x330	1 374		48 W 102 L
5	K	4	x3p	PL 13x330	1 150		38 W 83 L
		2	36BA1	BEARING ANGLE			2190 W 1240 L

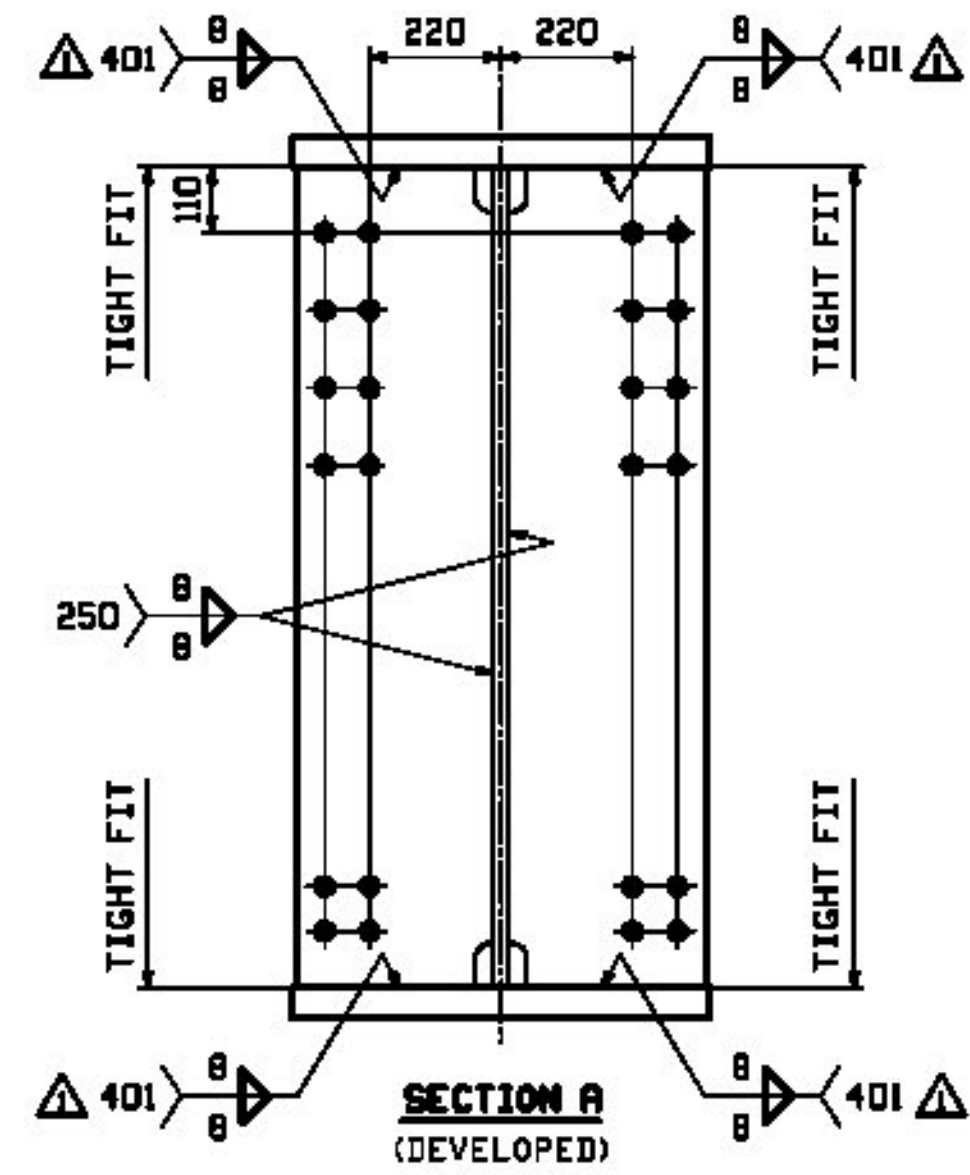


NOTE "A"
DIM'S ARE PARALLEL TO LEG.



ONE - DELTA LEG - 24L4S } ALIKE EXCEPT AS NOTED
ONE - DELTA LEG - 24L2N }

FOR FIELD SPLICE DETAILS SEE DRAWING X2.
FOR GIRDER STANDARD DETAILS SEE DRAWING X3 & X5.
FOR CAMBER & FLANGE DIAGRAMS SEE DRAWING C5.
FOR GENERAL NOTES SEE DRAWING GNL.
T2 DENOTES MATERIAL SUBJECT TO CHAPPY V-NOTCH TESTING.



APPROVED
Agency of Transportation
Approved _____ Rejected _____
Furnish as Corrected _____ Revise & Resubmit _____
Date: 2/2/12
Douglas E. Bonneau, P.E. Date
Structures Project Manager

WORK THIS SHEET WITH SHEET 35

REV.	DATE	REMARKS	APPV.	CHK.	DATE
12/18		APPROVAL COMMENTS	EEO	PCP	

MATERIAL: N270M-345W U.N. SURFACE PREP. & PRINT: AS NOTED HOLES: 5/16" SHOP BOLTS: NONE

DESCRIPTION: GIRDER DETAIL - 24L4S & 24L2N

CASCO BAY STEEL STRUCTURES, INC.
1 WALLACE AVE. SOUTH PORTLAND, ME 04106
PHONE (207) 780-6722 FAX. (207) 780-6726

STRUCTURE: VT 100 OVER LAHOILLE RIVER MORRISTOWN, VT LAHOILLE COUNTY STP F 029-1 (2) C/1
DRAWN: EEO DATE: 08/31
CHKD: PCP DATE: 08/17

LOCATION: MORRISTOWN, VT JOB NO. 521 DWG NO. 24
PROJ NO. STP F 029-1(2)C/1
CUSTOMER: MINTERSET, INC.