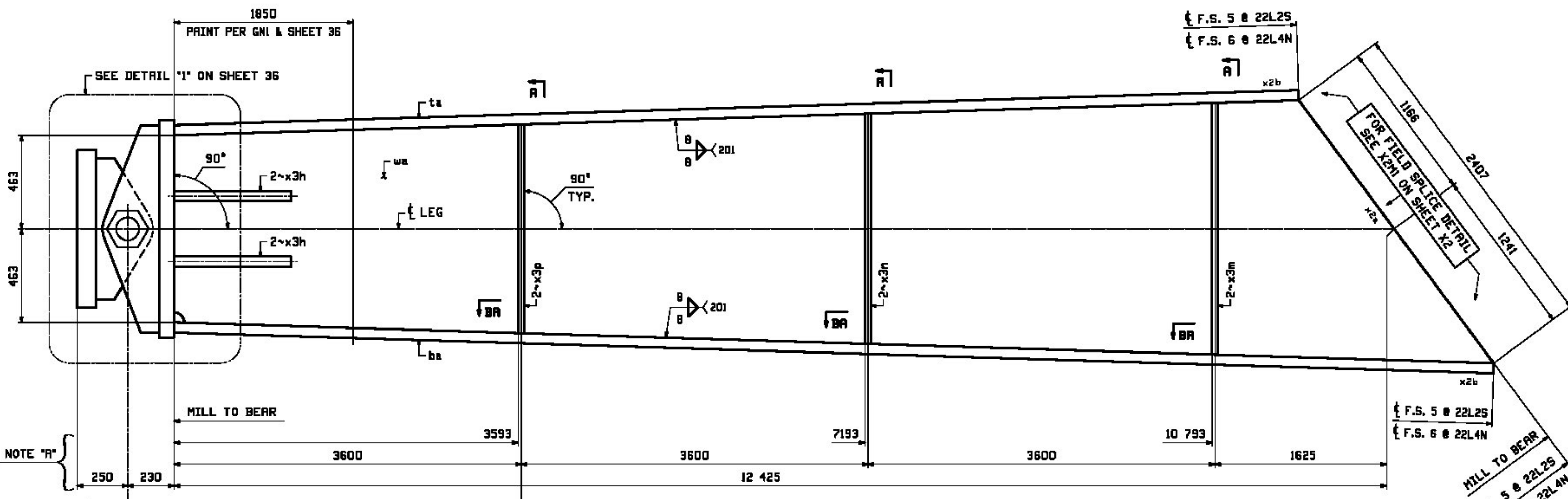
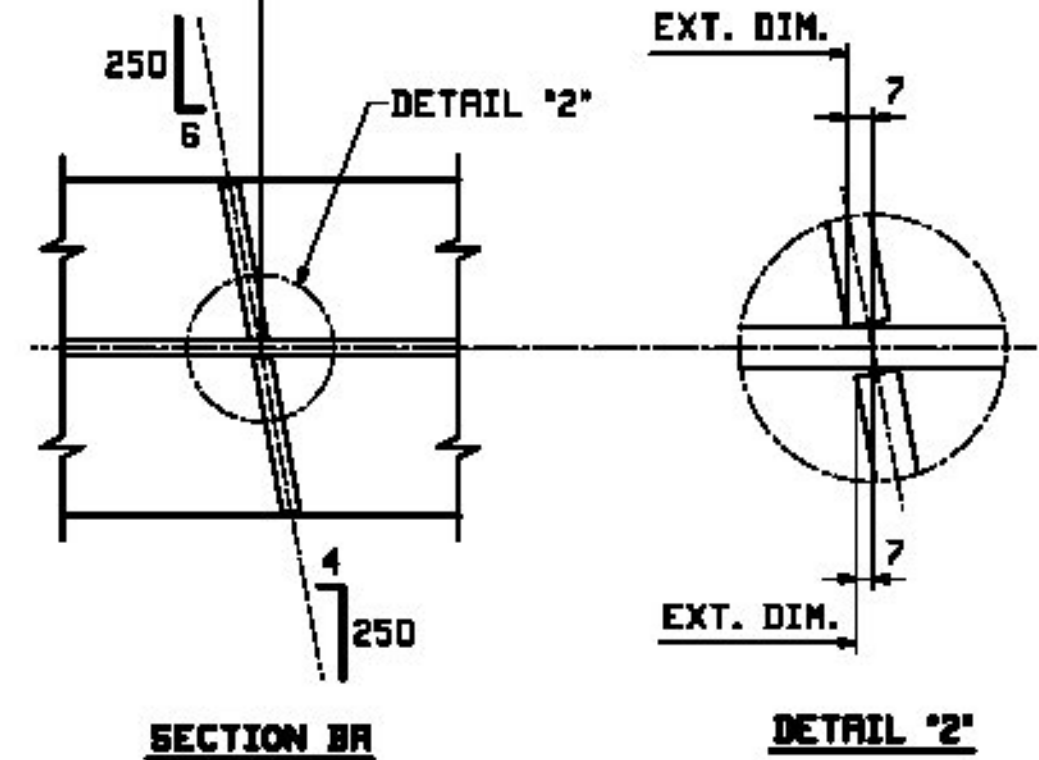


JOB NO.		DRAWING NO.		REV.		
921		22		△		
ROW INFO	QTY	MATERIAL	LENGTH	REMARKS	MT	PROCUREMENT NOTES
22L2S	1	DELTA LEG				4010 kg
22L4N	1	DELTA LEG				4010 kg
1 U	2	PL 25x1646	19 340	MIE		4300 kg
2 G	2	PL 50x700	11 605	MIE		3100 kg
2 E	2	PL 50x700	19 311	MIE		3027 kg
5 R	8	PL 50x340	0 800	MIE		107 kg
5 H	4	PL 13x330	1 598			54 kg
5 J	4	PL 13x330	1 374			48 kg
5 K	4	PL 13x330	1 150			28 kg
	2	36BA1				2190 kg

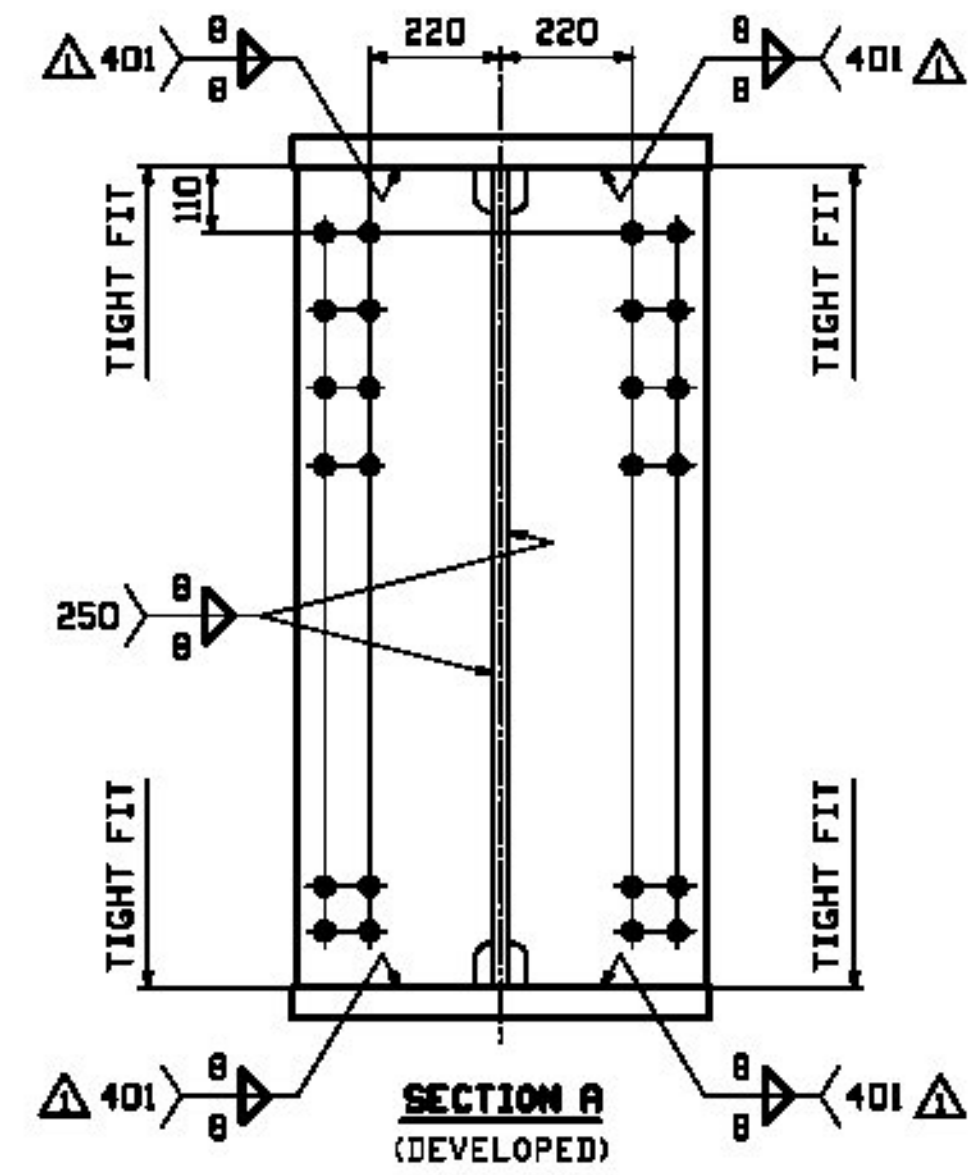


NOTE "A"
DIM'S ARE PARALLEL TO LEG.



ONE - DELTA LEG - 22L2S } ALIKE EXCEPT AS NOTED
 ONE - DELTA LEG - 22L4N }

FOR FIELD SPLICE DETAILS SEE DRAWING X2.
 FOR GIRDER STANDARD DETAILS SEE DRAWING X3 & X5.
 FOR CAMBER & FLANGE DIAGRAMS SEE DRAWING C5.
 FOR GENERAL NOTES SEE DRAWING GNL.
 T2 DENOTES MATERIAL SUBJECT TO CHARPY V-NOTCH TESTING.



Agency of Transportation
 Approved _____ Rejected _____
 Furnish as Corrected _____ Revise & Resubmit _____
 Douglas F. Bonneau, P.E. Date 11/2/12
 Structures Project Manager

WORK THIS SHEET WITH SHEET 35

REV.	DATE	REMARKS	APPV.	CHK.	SHOP
12/18		APPROVAL COMMENTS	EEO	PCP	

MATERIAL: N270M-345W U.N. SURFACE PREP. & PRINT: AS NOTED HOLES: 5/16" SHOP BOLTS: NONE

DESCRIPTION: GIRDER DETAIL - 22L2S & 22L4N

CASCO BAY STEEL STRUCTURES, INC.
 1 WALLACE AVE. SOUTH PORTLAND, ME 04106 PHONE (207) 780-6722 FAX. (207) 780-6726

STRUCTURE: VT 100 OVER LAHOILLE RIVER MORRISTOWN, VT LAHOILLE COUNTY STP F 029-1 (2) C/1

LOCATION: MORRISTOWN, VT

PROJ NO. STP F 029-1(2)C/1

CUSTOMER: MINTERSET, INC.

DRAWN: EEO DATE: 08/31
 CHECKED: PCP DATE: 08/17

JOB NO. 521 DWG NO. 22 REV. △