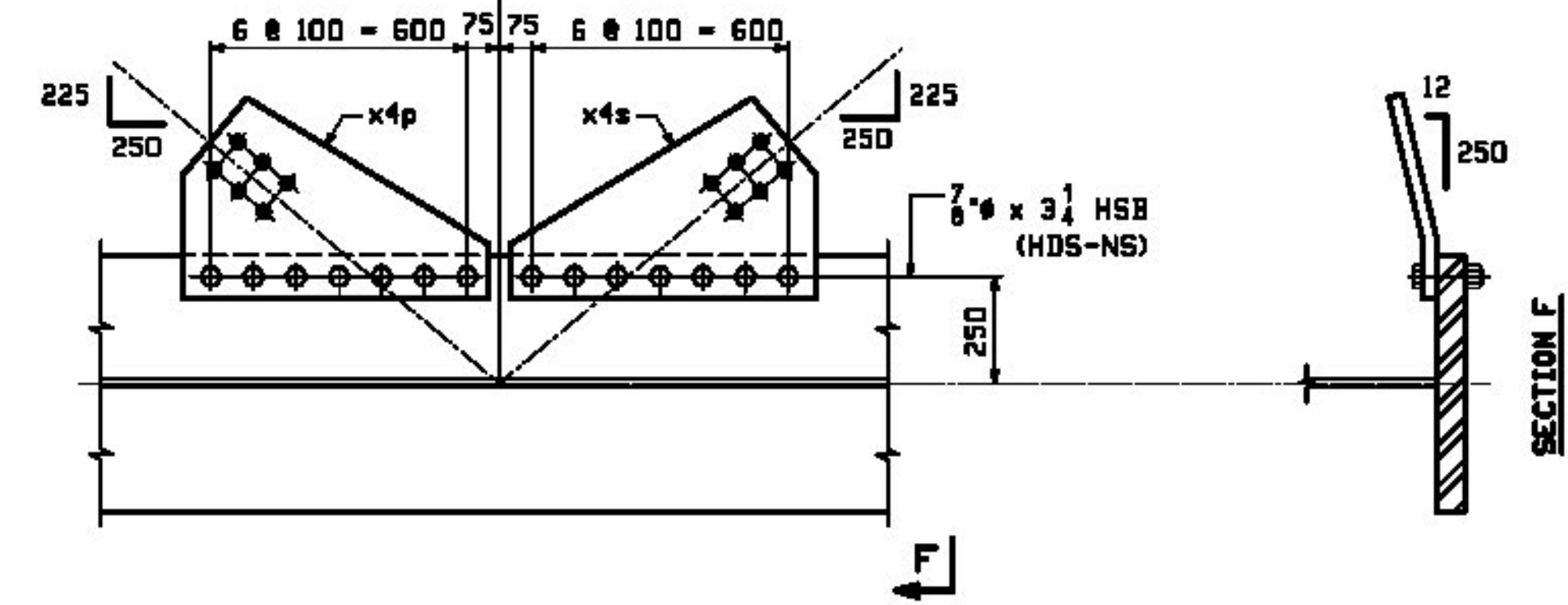


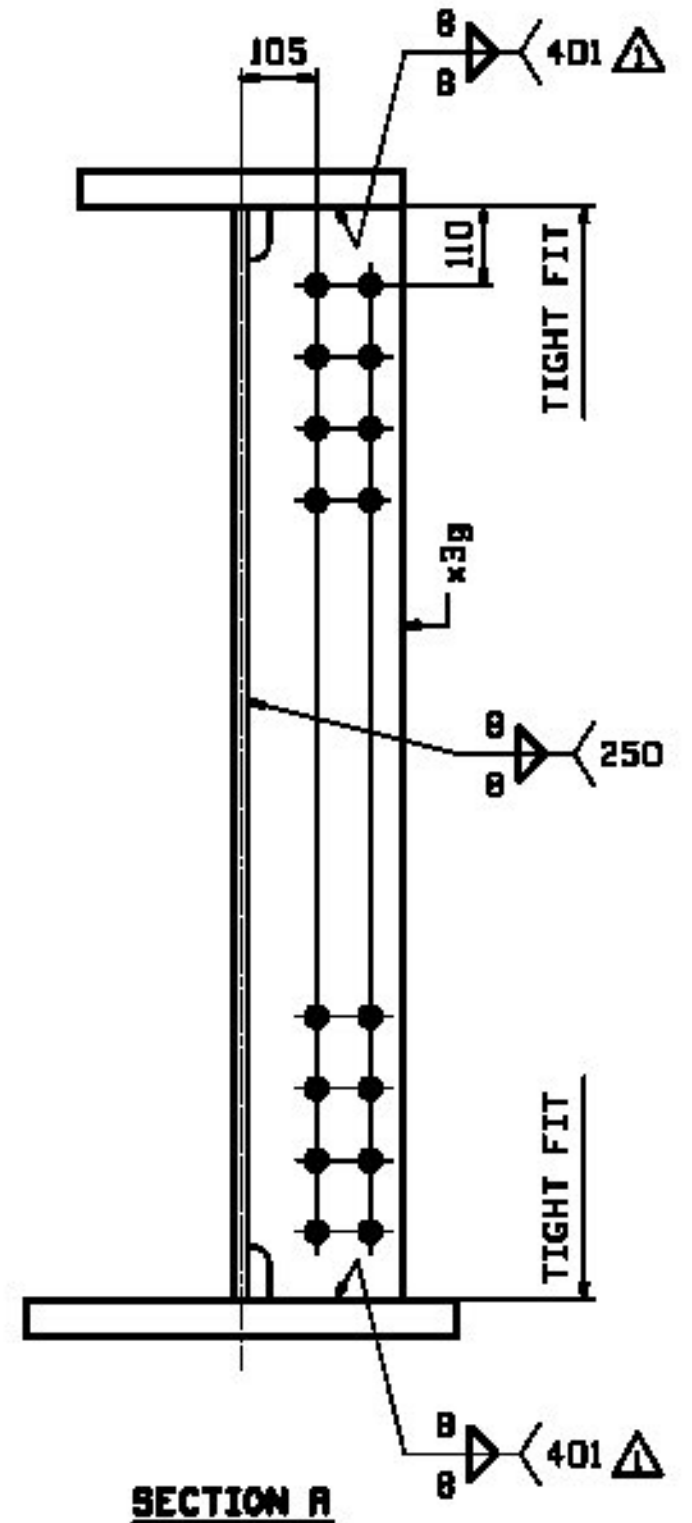
PAGE	LINE	MARK	QTY	MARK	MATERIAL	LENGTH		REMARKS	WT	PROCUREMENT NOTES
						#	IN			
					GIRDER					
1	Y	1	1	max	PL 20x2125	18	848	M270M-345W12	5322 kg	
1	M	1	1	mb	PL 20x2125	19	280	M270M-345W12	5452 kg	
2	N	1	1	tw	PL 30x500	24	228		2823 kg	
2	L	1	1	tb	PL 30x500	14	000		1840 kg	
1	S	1	1	ba	PL 35x500	24	228	M270M-345W12	3064 kg	
1	Q	1	1	bb	PL 35x500	19	954	M270M-345W12	2280 kg	
3	X	7	7	x3g	PL 13x240	2	125	M270M-345W12	32 kg	
6	K	6	6	x4p	PL 13x715	0	470	(BENT)	34 kg	
6	K	6	6	x4s	PL 13x715	0	470	(BENT)	34 kg	
8	F	84	84	2 # HSB		0	31	(RCT)	47 kg	
8	P	84	84	2 # HSB		0	31	(RCT)	47 kg	
8	Q	84	84	2 # HSB		0	31	(RCT)	47 kg	

ONE - GIRDER - 15G5C

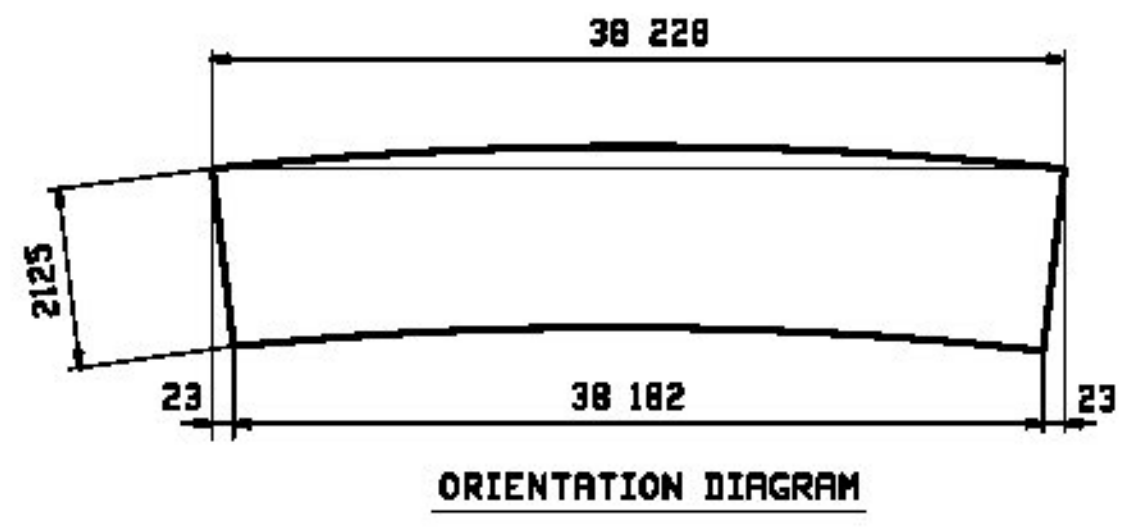
FOR FIELD SPLICE DETAILS SEE DRAWING X1.
 FOR GIRDER STANDARD DETAILS SEE DRAWING X3 & X4.
 FOR CAMBER & FLANGE DIAGRAMS SEE DRAWING C3.
 FOR GENERAL NOTES SEE DRAWING GNI.
 T2 DENOTES MATERIAL SUBJECT TO CHAPPY V-NOTCH TESTING.



SECTION BA-BA



SECTION A



ORIENTATION DIAGRAM

Agency of Transportation
 Approved _____ Rejected _____
 Furnish as Corrected _____ Revise & Resubmit _____
 Douglas R. Romo, P.E. Date: 12/21/12
 Structures Project Manager

REV.	DATE	REMARKS	DWN	CHK	APVL	SHOP
12/18		APPROVAL COMMENTS	EEO	PCP		
0						
MATERIAL:	SURFACE PREP. & PRINT:		HOLES:		SHOP BOLTS:	
M270M-345W UN	SEE GNI		5/16"		AS NOTED	
DESCRIPTION: GIRDER DETAIL - 15G5C						
CASCO BAY STEEL STRUCTURES, INC. 1 WALLACE AVE. PHONE (207) 780-6722 SOUTH PORTLAND, ME 04106 FAX. (207) 780-6726						
STRUCTURE:	VT 100 OVER LAHOILLE RIVER MORRISTOWN, VT LAHOILLE COUNTY STP F 028-1 (2) C/1		DRAWN:	CRK	DATE:	08/27
			CHKD:	PCP	DATE:	9/17/12
LOCATION:	MORRISTOWN, VT		JOB NO.	521		
PROJ NO.	STP F 028-112C/1		REV.	15		
CUSTOMER:	MINTERSET, INC.					