

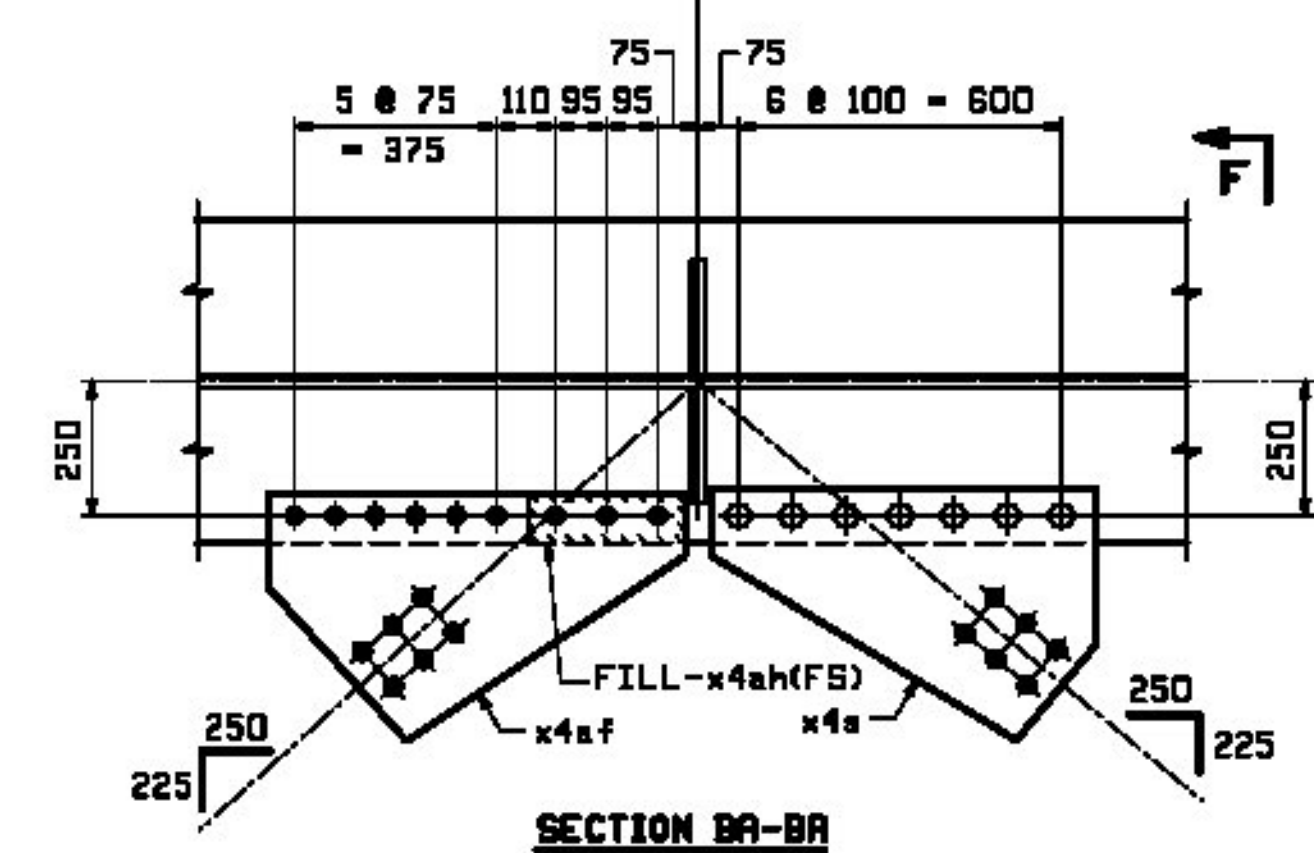
JOB NO.		DRAWING NO.		REV.		
921		14				
LINE	QTY	UNIT	DESCRIPTION	REMARKS	MT	PROCUREMENT NOTES
1	1	EA	GIRDER		2420 kg	
1	1	EA	PL 20x2125		5322 kg	
1	1	EA	PL 20x2125		5452 kg	
2	1	EA	PL 30x500		2823 kg	
2	1	EA	PL 30x500		2823 kg	
1	1	EA	PL 35x600		2823 kg	
1	1	EA	PL 35x600		2823 kg	
3	14	EA	PL 13x240		32 kg	
6	6	EA	PL 13x715	(BENT)	34 kg	
6	6	EA	PL 13x715	(BENT)	34 kg	
6	1	EA	PL 13x775	(BENT)	38 kg	
6	1	EA	PL 13x775	(BENT)	38 kg	
6	2	EA	PL 35x90	FILL	7 kg	
8	84	EA	7/8" HSB	(RCT)	37 kg	
8	84	EA	7/8" HSB	(RCT)	37 kg	
8	84	EA	7/8" HSB	(RCT)	37 kg	

FOR FIELD SPLICE DETAIL SEE XIM2 ON SHT X1

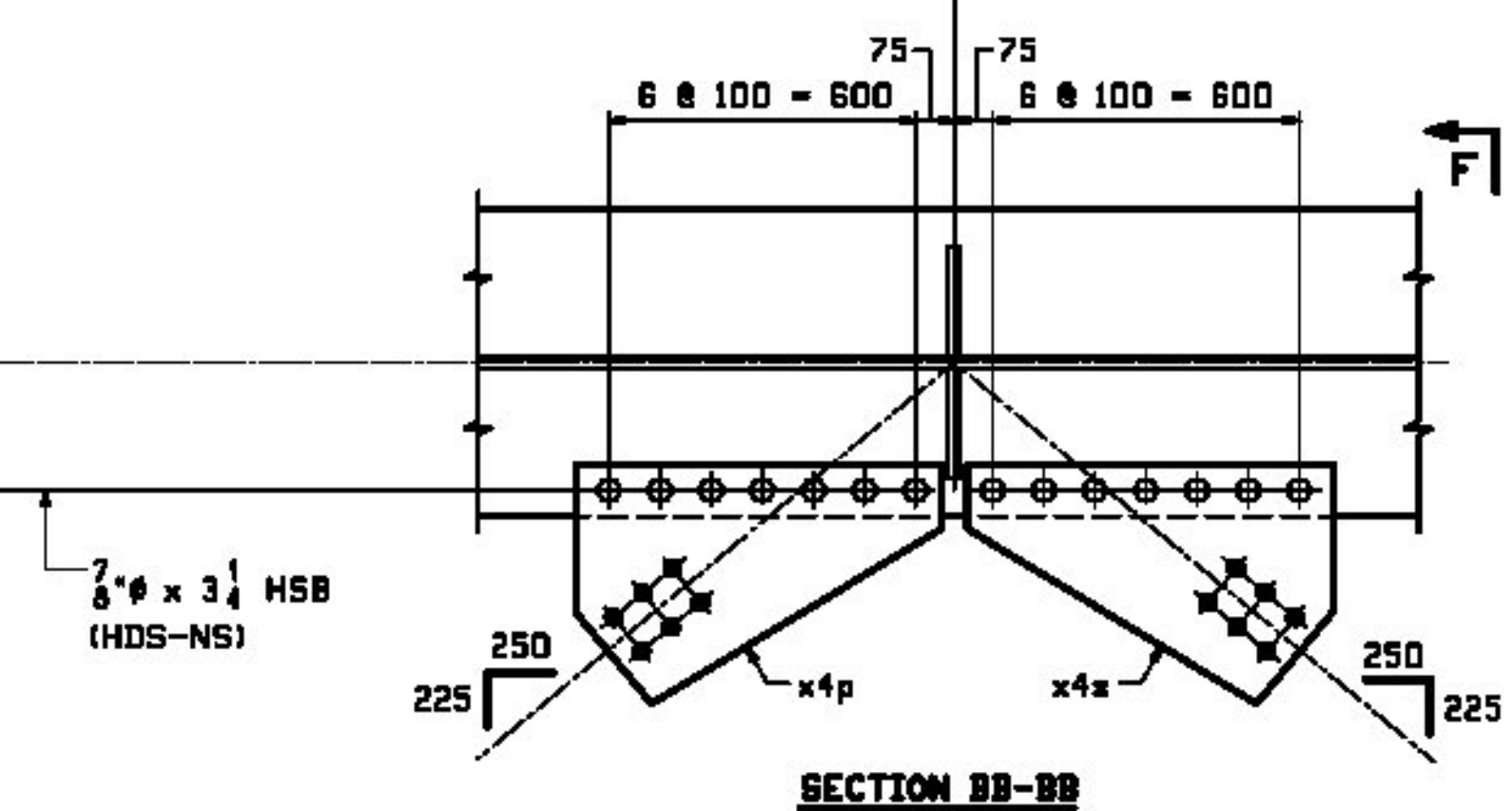
FOR FIELD SPLICE DETAIL SEE XIM2 ON SHT X1

SEE CAMBER DIAGRAM

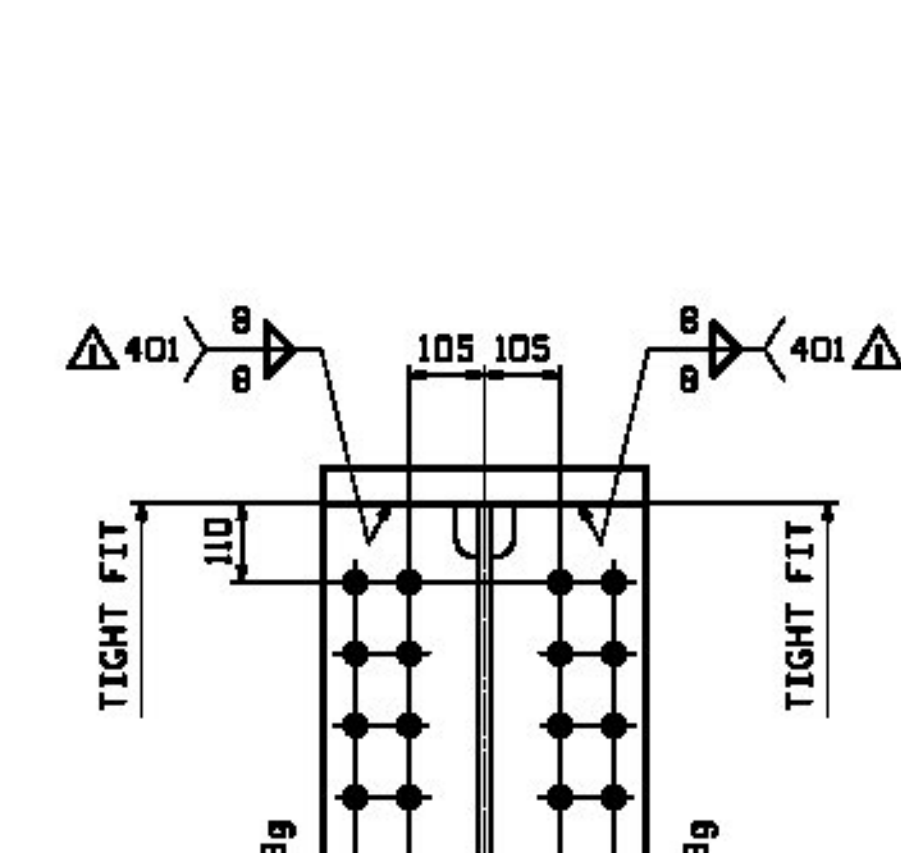
SEE CAMBER DIAGRAM



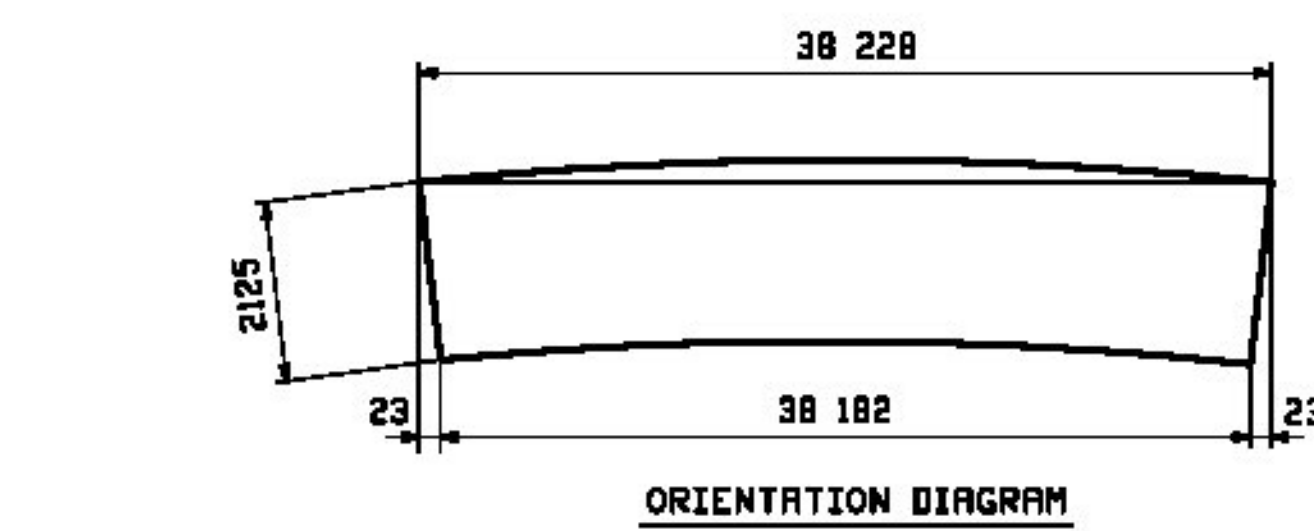
SECTION BA-BA



SECTION BB-BB



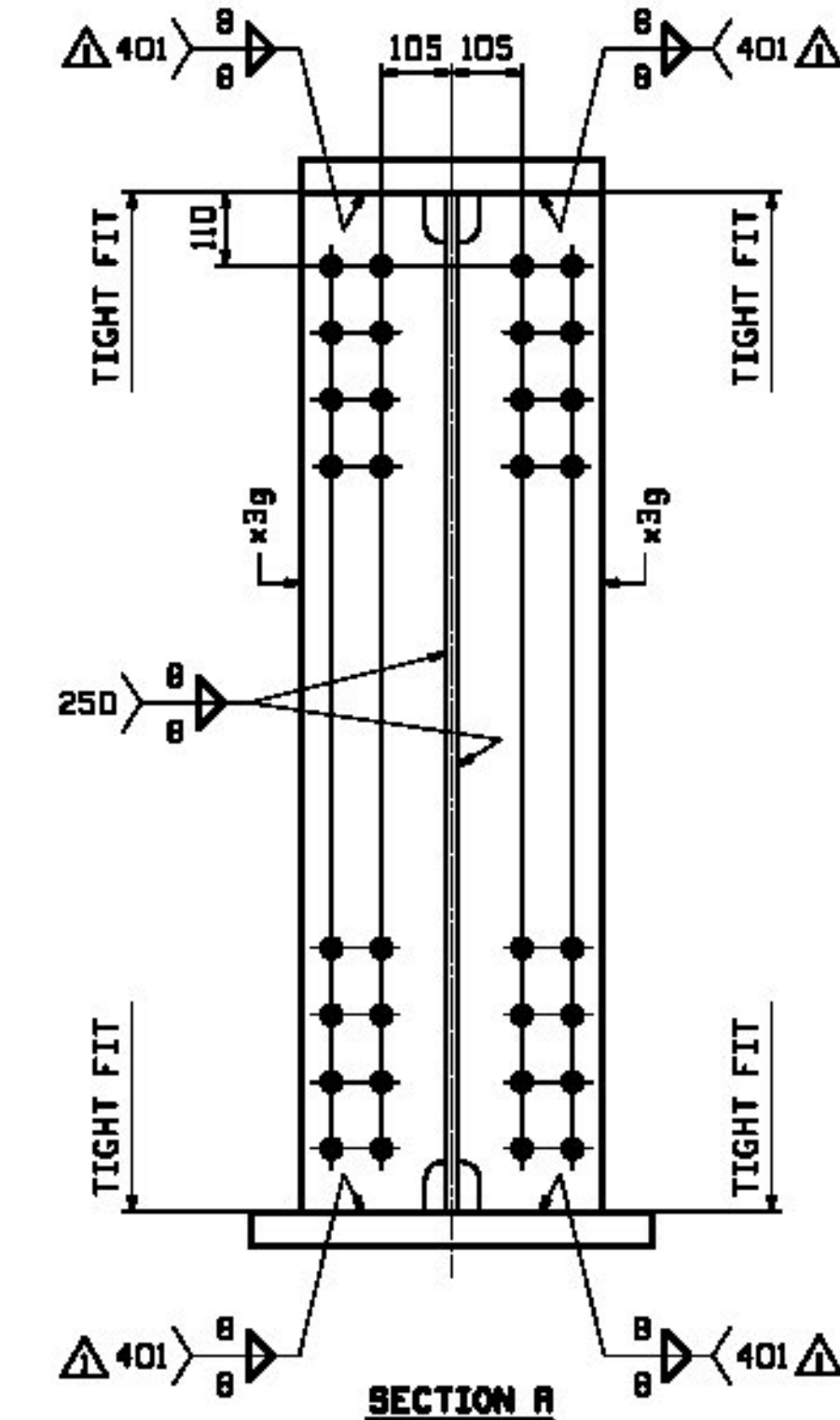
SECTION BC-BC



ORIENTATION DIAGRAM

ONE - GIRDER - 14G4C

FOR FIELD SPLICE DETAILS SEE DRAWING X1.
 FOR GIRDER STANDARD DETAILS SEE DRAWING X3 & X4.
 FOR CAMBER & FLANGE DIAGRAMS SEE DRAWING C3.
 FOR GENERAL NOTES SEE DRAWING GNI.
 T2 DENOTES MATERIAL SUBJECT TO CHARPY V-NOTCH TESTING.



SECTION A

Agency of Transportation
 Approved _____ Rejected _____
 Furnish as Corrected _____ Revise & Resubmit _____
 Douglas E. Bonczan, P.E. Date: 8/17/12
 Structures Project Manager

REV.	DATE	REMARKS	DWR	CHK	APVL	SHOP
12/18		APPROVAL COMMENTS	EEO	PCP		
0						

MATERIAL: M270M-345W UN SURFACE PREP. & PRINT: SEE GNI HOLES: 5/16" SHOP BOLTS: AS NOTED

DESCRIPTION: GIRDER DETAIL - 14G4C

CASCO BAY STEEL STRUCTURES, INC.
 1 WALLACE AVE. PHONE (207) 780-6722
 SOUTH PORTLAND, ME 04106 FAX. (207) 780-6726

STRUCTURE: VT 100 OVER LAHOILLE RIVER MORRISTOWN, VT LAHOILLE COUNTY STP F 028-1 (2) C/1

LOCATION: MORRISTOWN, VT JOB NO. 521

PROJ NO. STP F 028-1(2)C/1

CUSTOMER: MINTERSET, INC.

DRAWN: CRK DATE: 08/27
 CHKD: PCP DATE: 9/17/12

DWG NO. 14 REV. 14