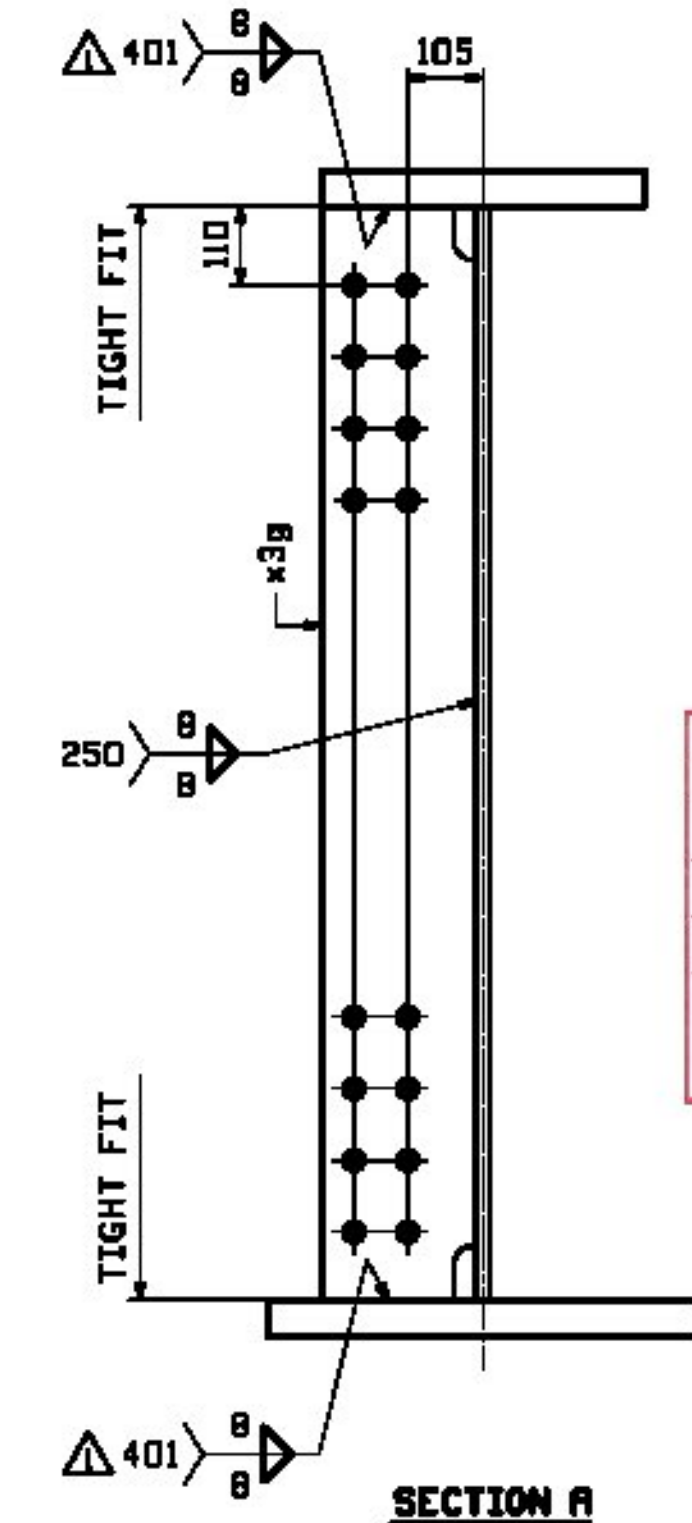
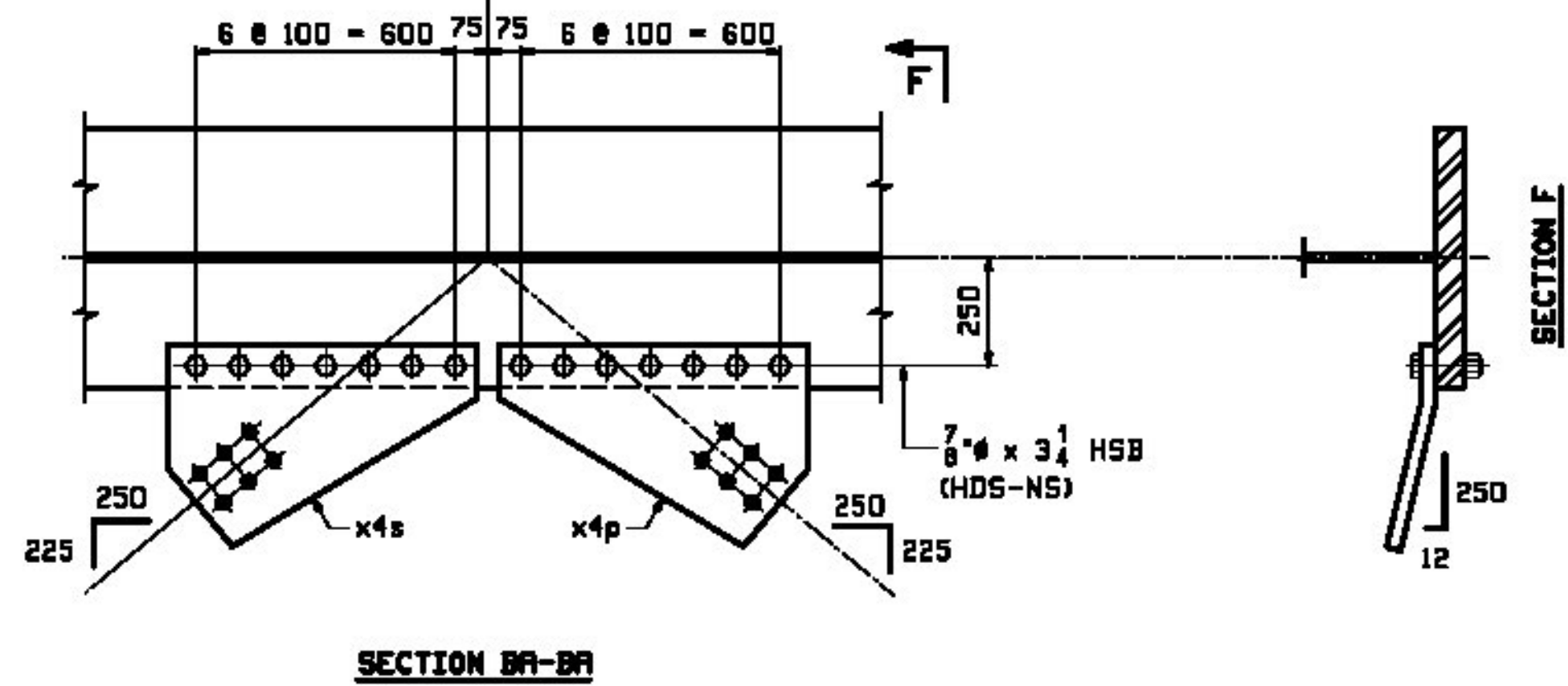


ONE - GIRDER - 11G1C

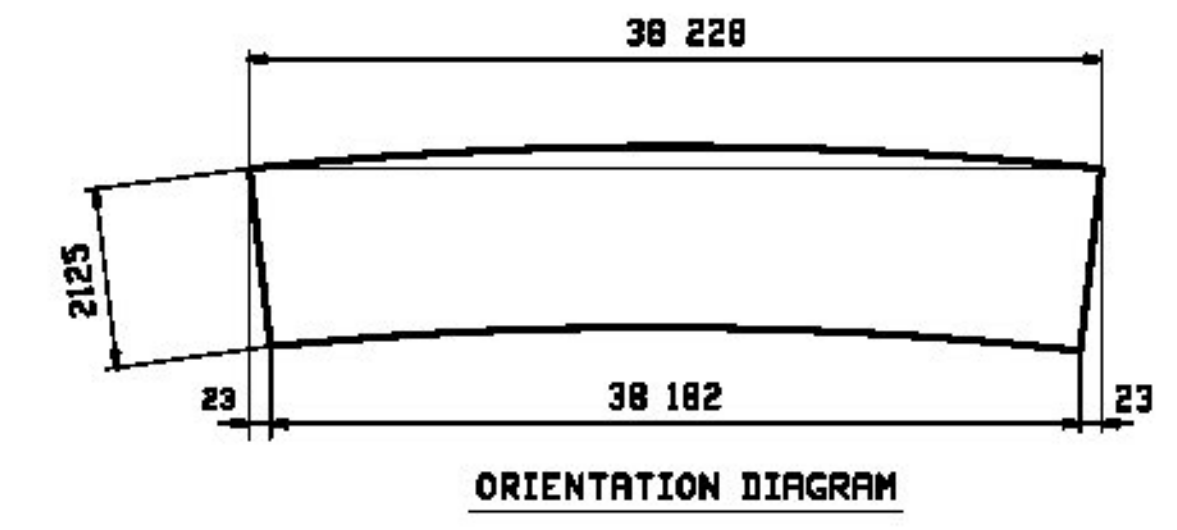
FOR FIELD SPLICE DETAILS SEE DRAWING X1.
 FOR GIRDER STANDARD DETAILS SEE DRAWING X3 & X4.
 FOR CAMBER & FLANGE DIAGRAMS SEE DRAWING C3.
 FOR GENERAL NOTES SEE DRAWING GNI.
 T2 DENOTES MATERIAL SUBJECT TO CHARNY V-NOTCH TESTING.



APPROVED
 Agency of Transportation
 Approved
 Furnish as Connected
 Douglas E. Bruneau, P.E.
 Structures Project Manager

Rejected
 Revise & Resubmit
 Date

JOB NO.		DRAWING NO.		REV.		
921		11				
ITEM	QTY	UNIT	DESCRIPTION	REMARKS	MT	PROCUREMENT NOTES
1	1	EA	GIRDER		11370 kg	
1	1	EA	PL 20x2125		5322 kg	
1	1	EA	PL 20x2125		5452 kg	
2	1	EA	PL 30x500		2823 kg	
2	1	EA	PL 30x500		2822 kg	
1	1	EA	PL 35x500		3064 kg	
1	1	EA	PL 35x500		2280 kg	
3	7	EA	PL 13x240		32 kg	
6	6	EA	PL 13x715	(BENT)	34 kg	
6	6	EA	PL 13x715	(BENT)	34 kg	
8	84	EA	7 # HSB	(RCT)	47 kg	
8	84	EA	7 # HSB	(RCT)	47 kg	
8	84	EA	7 # HSB	(RCT)	47 kg	



REV.	DATE	REMARKS	DWN	CHK	APVL	SHOP
12/18		APPROVAL COMMENTS	EEO	PCP		

MATERIAL: M270M-345W UN SURFACE PREP. & PRINT: SEE GNI HOLES: 5/16" SHOP BOLTS: AS NOTED

DESCRIPTION: GIRDER DETAIL - 11G1C

CASCO BAY STEEL STRUCTURES, INC.
 1 WALLACE AVE. PHONE (207) 780-6722
 SOUTH PORTLAND, ME 04106 FAX. (207) 780-6726

STRUCTURE: VT 100 OVER LAHOILLE RIVER MORRISTOWN, VT LAHOILLE COUNTY STP F 028-1 (2) C/1
 DRAWN: CRK DATE: 08/25
 CHKD: PCP DATE: 9/17/12

LOCATION: MORRISTOWN, VT JOB NO. DWG NO.
 PROJ NO. STP F 028-1(2)C/1 521 11
 CUSTOMER: MINTERSET, INC. REV.