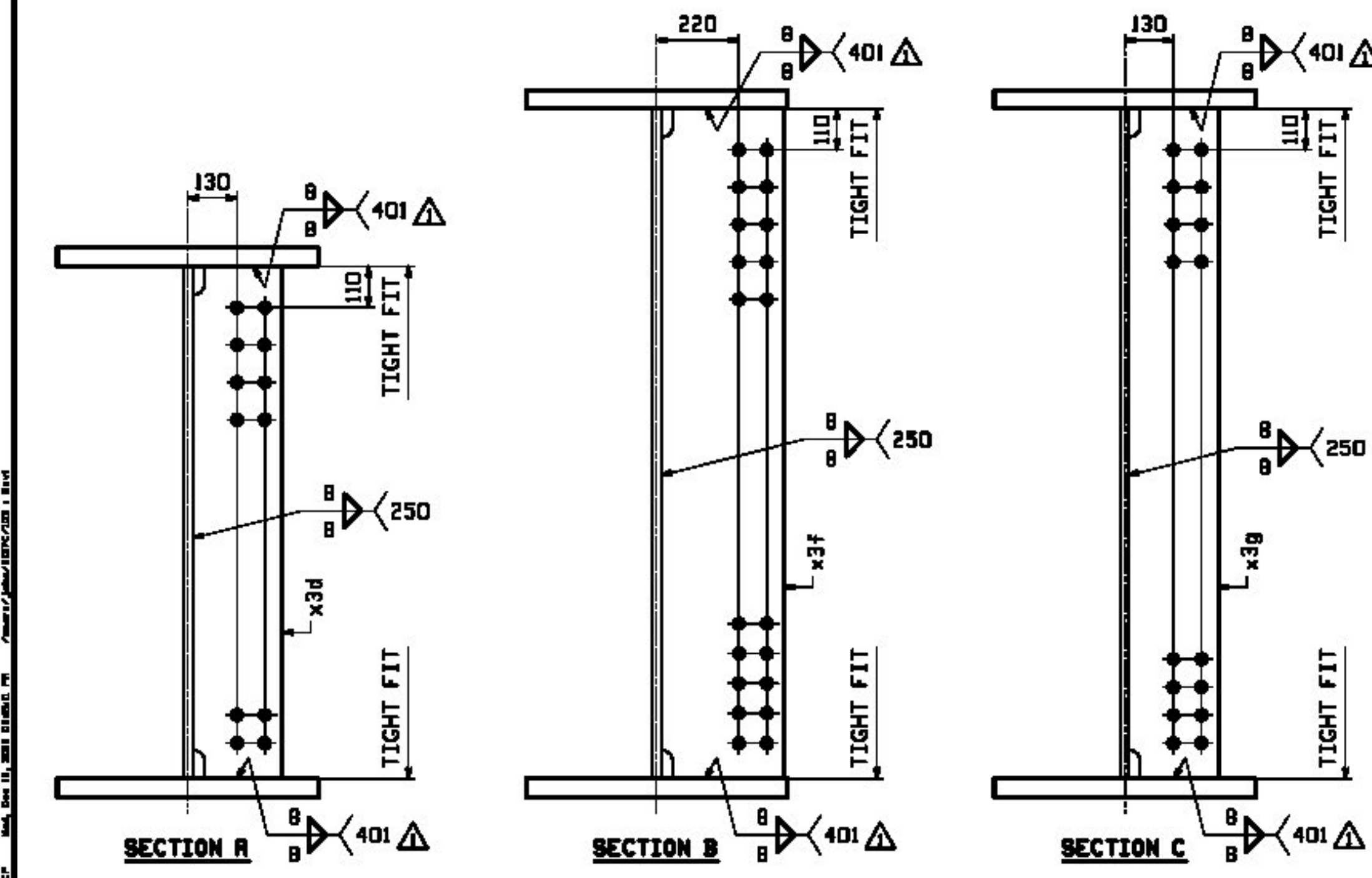


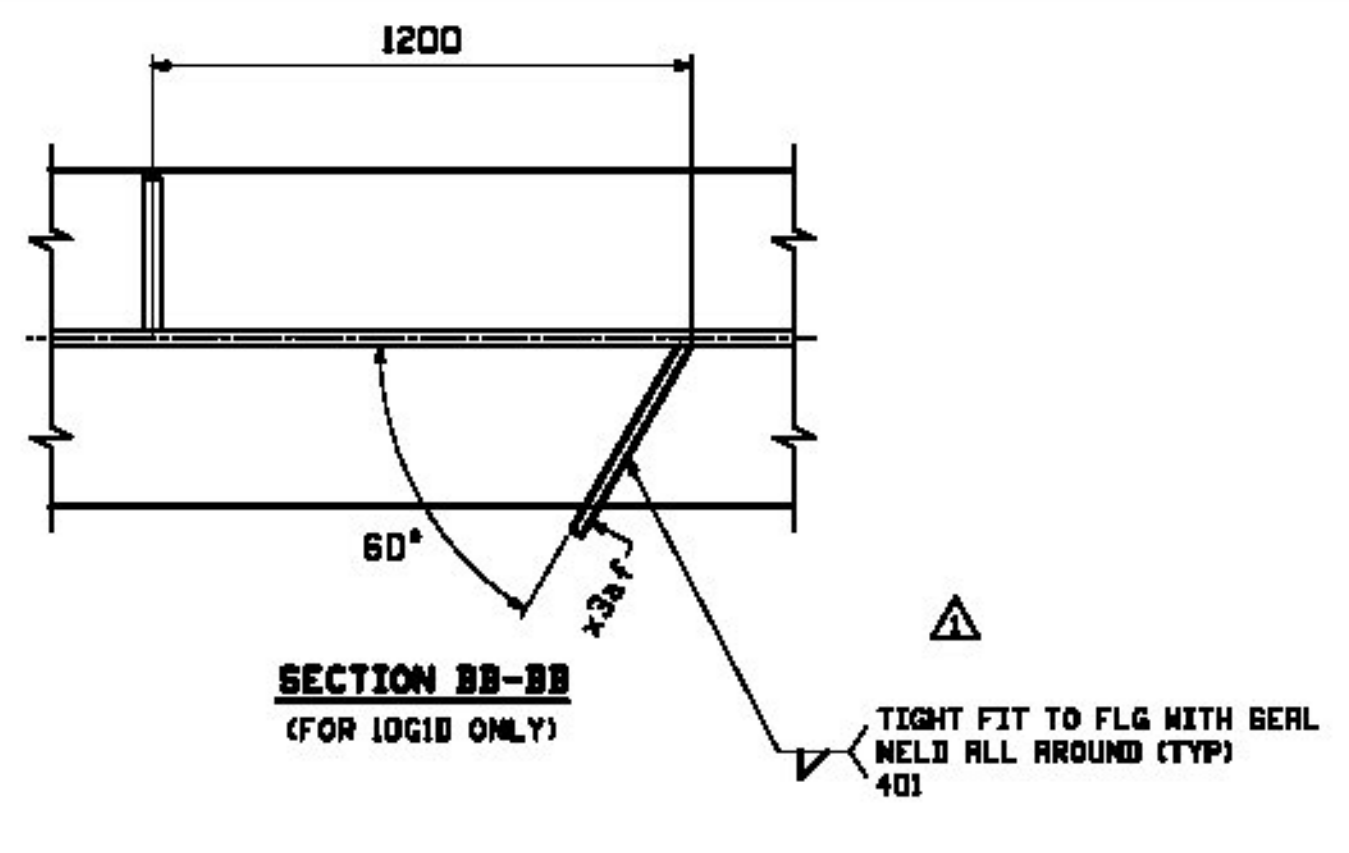
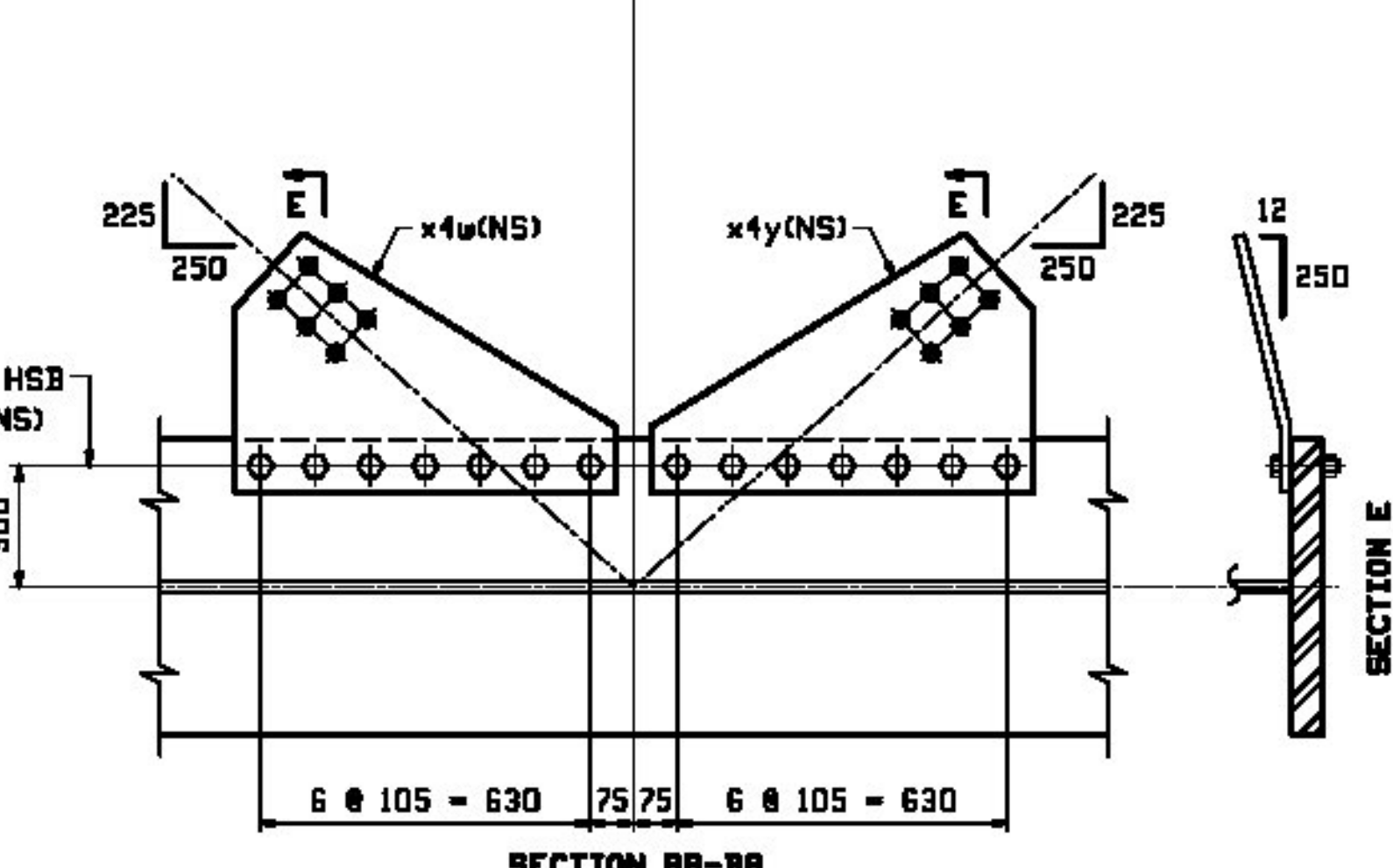
BILL OF MATERIAL				JOB NO.	DRAWING NO.	REV.
ITEM	QTY	UNIT	MATERIAL	REMARKS	MT	PROCUREMENT NOTES
<b>10G5B</b>						
1	1	ea	PL 25x4127		4400 kg	
1	1	mb	PL 20x2125		1006 kg	
1	1	ta	PL 50x700		4800 kg	
1	1	tb	PL 50x700		4800 kg	
1	1	ba	PL 50x700		3630 kg	
1	1	bb	PL 50x700		3630 kg	
1	1	bc	PL 50x700		3630 kg	
3	1	x3d	PL 13x240		37 kg	
3	1	x3f	PL 13x330		72 kg	
3	2	x3g	PL 13x240		138 kg	
3	36	x3k	PL 35x325		38 kg	
6	3	x4w	PL 13x730		36 kg	
6	3	x4y	PL 13x730		36 kg	
8	42	7 # HSB		(RCT)	37 kg	
8	42	7 # HSB		(RCT)	37 kg	
8	42	7 # HSB		(RCT)	37 kg	
<b>10G10</b>						
1	1	ea	PL 25x4127		4400 kg	
1	1	mb	PL 20x2125		1006 kg	
1	1	ta	PL 50x700		4800 kg	
1	1	tb	PL 50x700		4800 kg	
1	1	ba	PL 50x700		3630 kg	
1	1	bb	PL 50x700		3630 kg	
1	1	bc	PL 50x700		3630 kg	
3	1	x3d	PL 13x240		37 kg	
3	1	x3f	PL 13x330		72 kg	
3	2	x3g	PL 13x240		138 kg	
3	36	x3k	PL 35x325		38 kg	
6	1	x3af	PL 6x100		5 kg	
6	3	x4w	PL 13x730		36 kg	
6	3	x4y	PL 13x730		36 kg	
8	42	7 # HSB		(RCT)	37 kg	
8	42	7 # HSB		(RCT)	37 kg	
8	42	7 # HSB		(RCT)	37 kg	



**ONE - GIRDER - 10G5B (CONTINUED)**  
**ONE - GIRDER - 10G10 (CONTINUED)**

FOR FIELD SPLICE DETAILS SEE DRAWINGS XI & X2.  
 FOR GIRDER STANDARD DETAILS SEE DRAWING X3 & X4.  
 FOR CAMBER & FLANGE DIAGRAMS SEE DRAWING C2.  
 FOR GENERAL NOTES SEE DRAWING GNI.  
 T2 DENOTES MATERIAL SUBJECT TO CHAPPY V-NOTCH TESTING.

ASME  
 Agency of Transportation  
 Approved Rejected  
 Furnish as Corrected Revise & Resubmit  
 Douglas E. Borzese, P.E. Dec  
 Structures Project Manager



WORK THIS SHEET WITH SHEET 10A

REV.	DATE	REMARKS	DMN	CHK	APVL	SHOP
12/18		APPROVAL COMMENTS	EEO	PCP		

MATERIAL: M270M-345M U.S. SURFACE PREP. & PAINT: SEE GNI HOLES: 5/16" SHOP BOLTS: AS NOTED

DESCRIPTION: GIRDER DETAIL - 10G5B & 10G10

**CASCO BAY STEEL STRUCTURES, INC.**  
 1 WALLACE AVE. PHONE (207) 780-6722  
 SOUTH PORTLAND, ME 04106 FAX. (207) 780-6726

STRUCTURE: VT 100 OVER LAHOILLE RIVER  
 MORRISTOWN, VT LAHOILLE COUNTY  
 STP F 028-1 (2) C/1

LOCATION: MORRISTOWN, VT JOB NO. 521  
 PROJ NO. STP F 028-1(2)C/1  
 CUSTOMER: MINTERSET, INC.

DRAWN: EEO DATE: 08/27  
 CHECKED: PCP DATE: 08/17

REV. 108