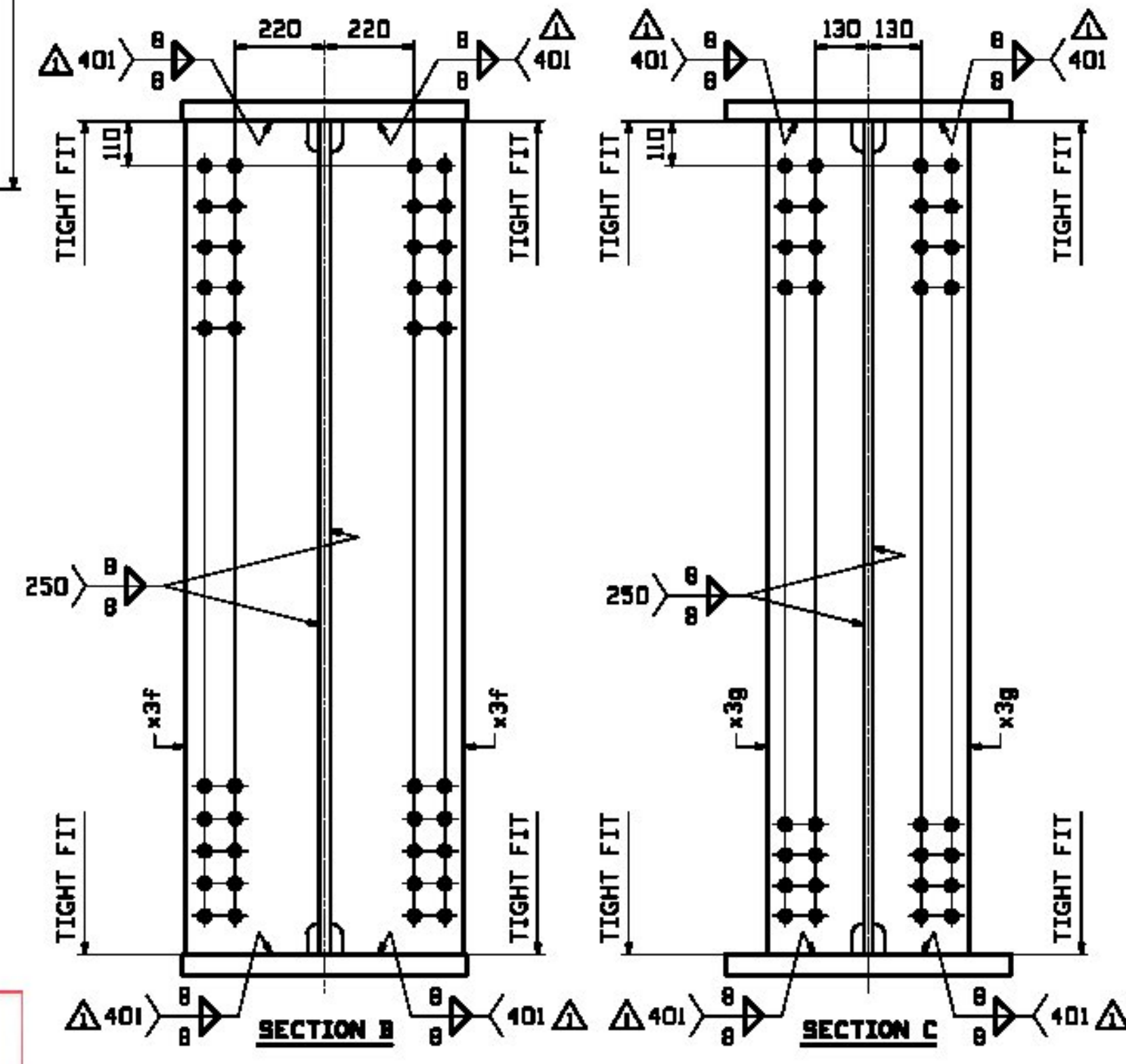
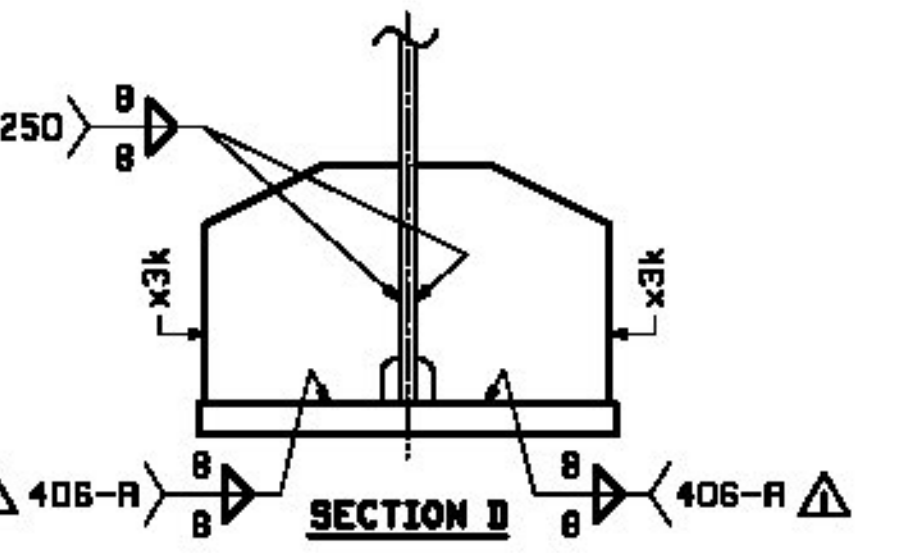
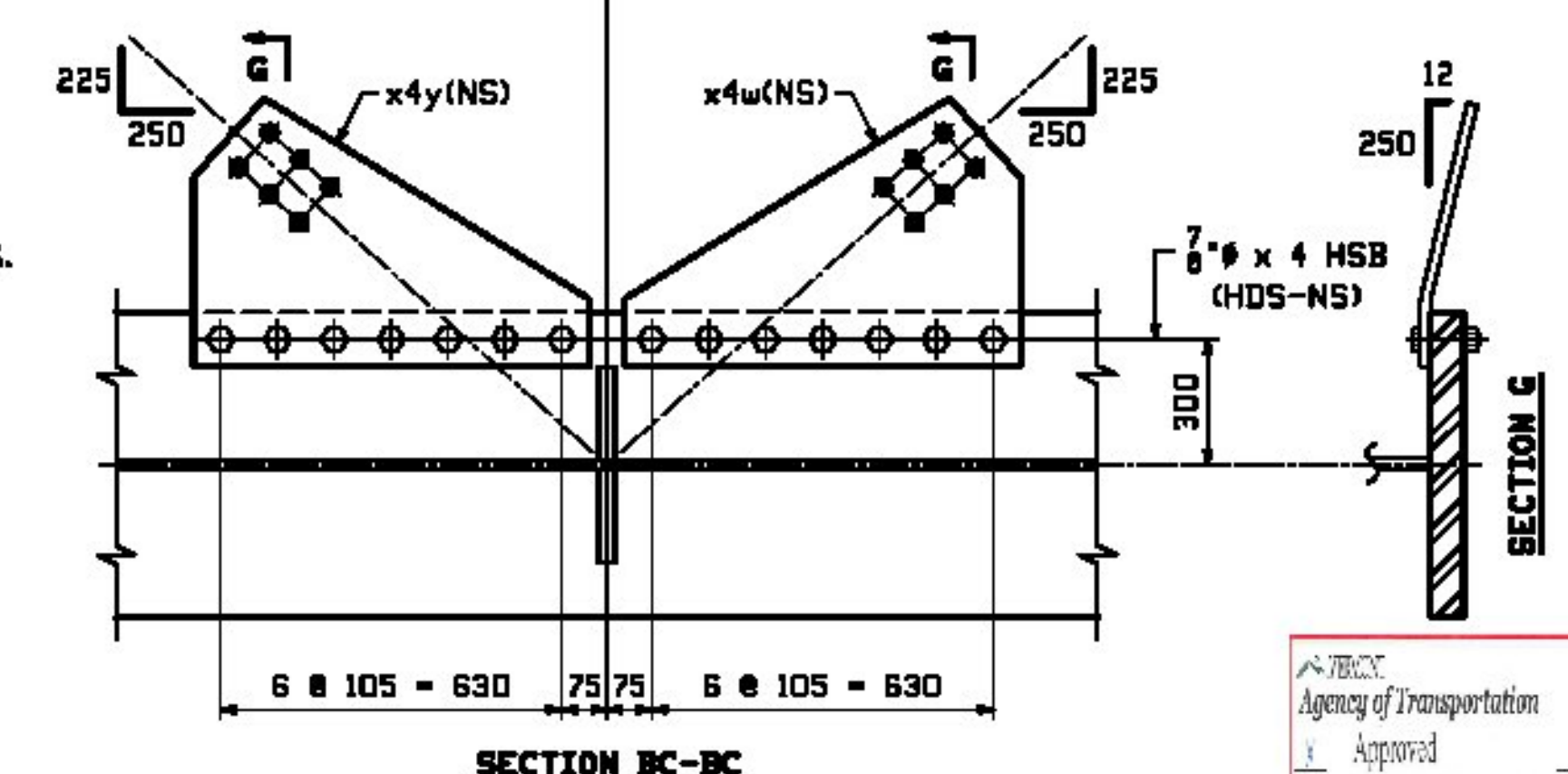
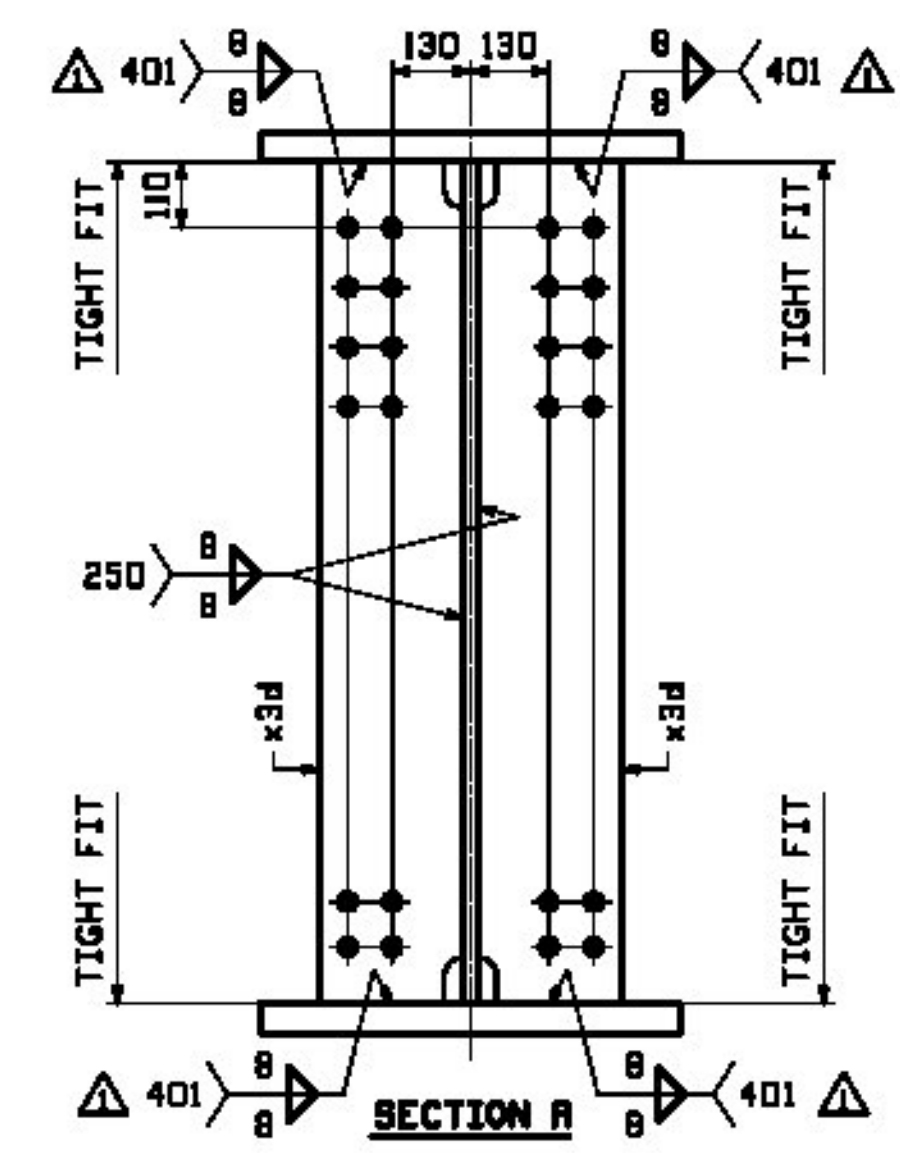
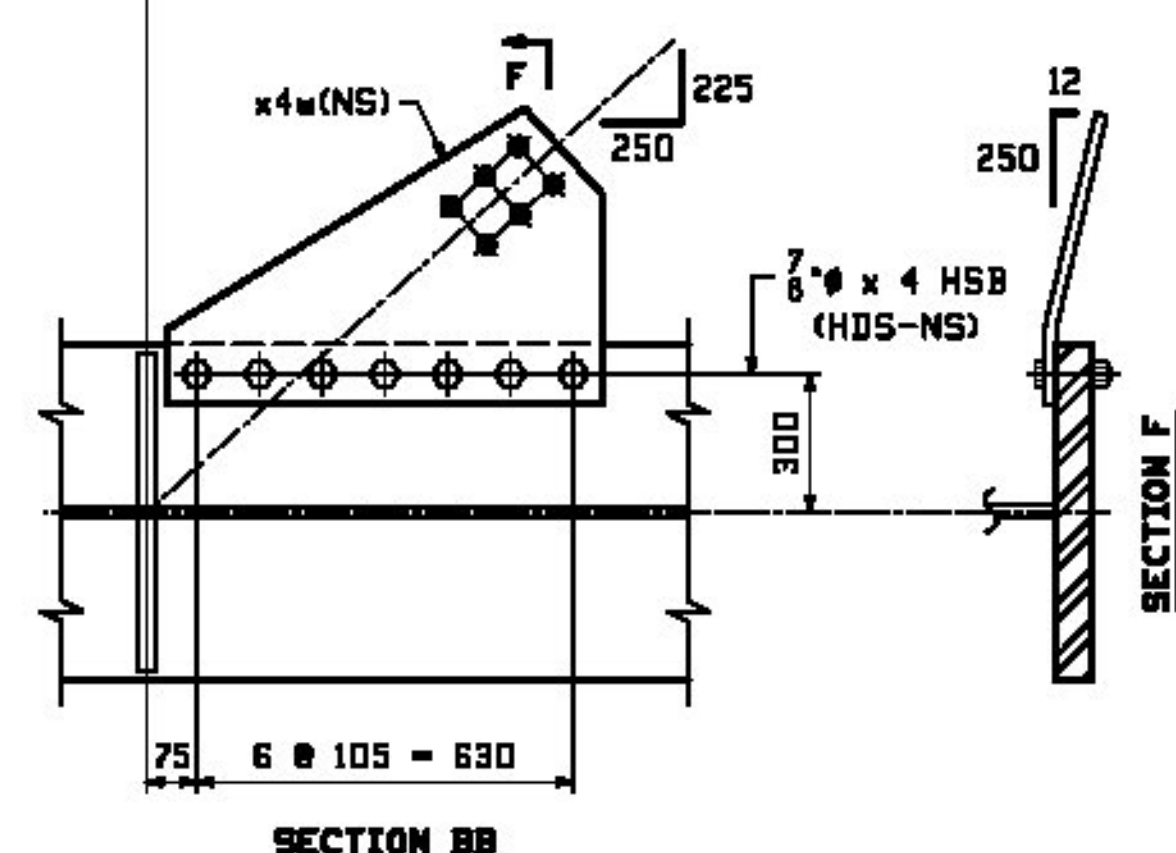


BILL OF MATERIAL				JOB NO.	DRAWING NO.	REV.
LINE	QTY	UNIT	MATERIAL	REMARKS	MT	PROCUREMENT NOTES
7G2B	1		GIRDER		4620 kg	
7G4D	1		GIRDER		2623 kg	
1	G	2	PL 25x127		5223 kg	
1	J	2	PL 20x2125		4620 kg	
1	R	2	PL 50x700		3638 kg	
1	R	2	PL 50x700		3638 kg	
1	E	2	PL 50x700		1499 kg	
1	C	2	PL 50x700		2538 kg	
1	R	2	PL 50x700		3638 kg	
3	V	4	PL 13x240		87 kg	
3	M	4	PL 13x390		72 kg	
3	X	8	PL 13x240		138 kg	
3	Y	72	PL 35x325		39 kg	
6	K	2	PL 13x730	(BENT)	31 kg	
6	K	6	PL 13x730	(BENT)	35 kg	
6	K	4	PL 13x730	(BENT)	28 kg	
8	J	84	7/8" HSB	(RECT)	47 kg	
8	P	84	7/8" HSB	(RECT)	54 kg	
8	Q	84	7/8" HSB	(RECT)	33 kg	

ONE - GIRDER - 7G2B (CONTINUED)  
 ONE - GIRDER - 7G4D (CONTINUED)  
 FOR FIELD SPLICE DETAILS SEE DRAWINGS XI & X2.  
 FOR GIRDER STANDARD DETAILS SEE DRAWING X3 & X4.  
 FOR CAMBER & FLANGE DIAGRAMS SEE DRAWING C2.  
 FOR GENERAL NOTES SEE DRAWING GNI.  
 T2 DENOTES MATERIAL SUBJECT TO CHARPY V-NOTCH TESTING.



Agency of Transportation  
 Approved \_\_\_\_\_ Rejected \_\_\_\_\_  
 Furnish as Corrected \_\_\_\_\_ Revise & Resubmit \_\_\_\_\_  
 Douglas E. Borneau, P.E. Date \_\_\_\_\_  
 Structures Project Manager

WORK THIS SHEET WITH SHEET 77B

REV.	DATE	REMARKS	DMN	CHK	APVL	SHOP
12/19		APPROVAL COMMENTS	EEO	PCP		
0						

MATERIAL: M270M-345M U.N. SURFACE PREP. & PAINT: SEE GNI HOLES: 15/16" SHOP BOLTS: AS NOTED

DESCRIPTION: GIRDER DETAIL - 7G2B & 7G4D

**CASCO BAY STEEL STRUCTURES, INC.**  
 1 WALLACE AVE. PHONE (207) 780-6722  
 SOUTH PORTLAND, ME 04106 FAX. (207) 780-6726

STRUCTURE: VT 100 OVER LAHOILLE RIVER  
 MORRISTOWN, VT LAHOILLE COUNTY  
 STP F 029-1 (2) C/1

LOCATION: MORRISTOWN, VT JOB NO. 521  
 PROJ NO. STP F 029-1(2)C/1 CUSTOMER: MINTERSET, INC.

DRAWN: EEO DATE: 08/24  
 CHKD: PCP DATE: 09/17

DWG NO. 7B REV. A