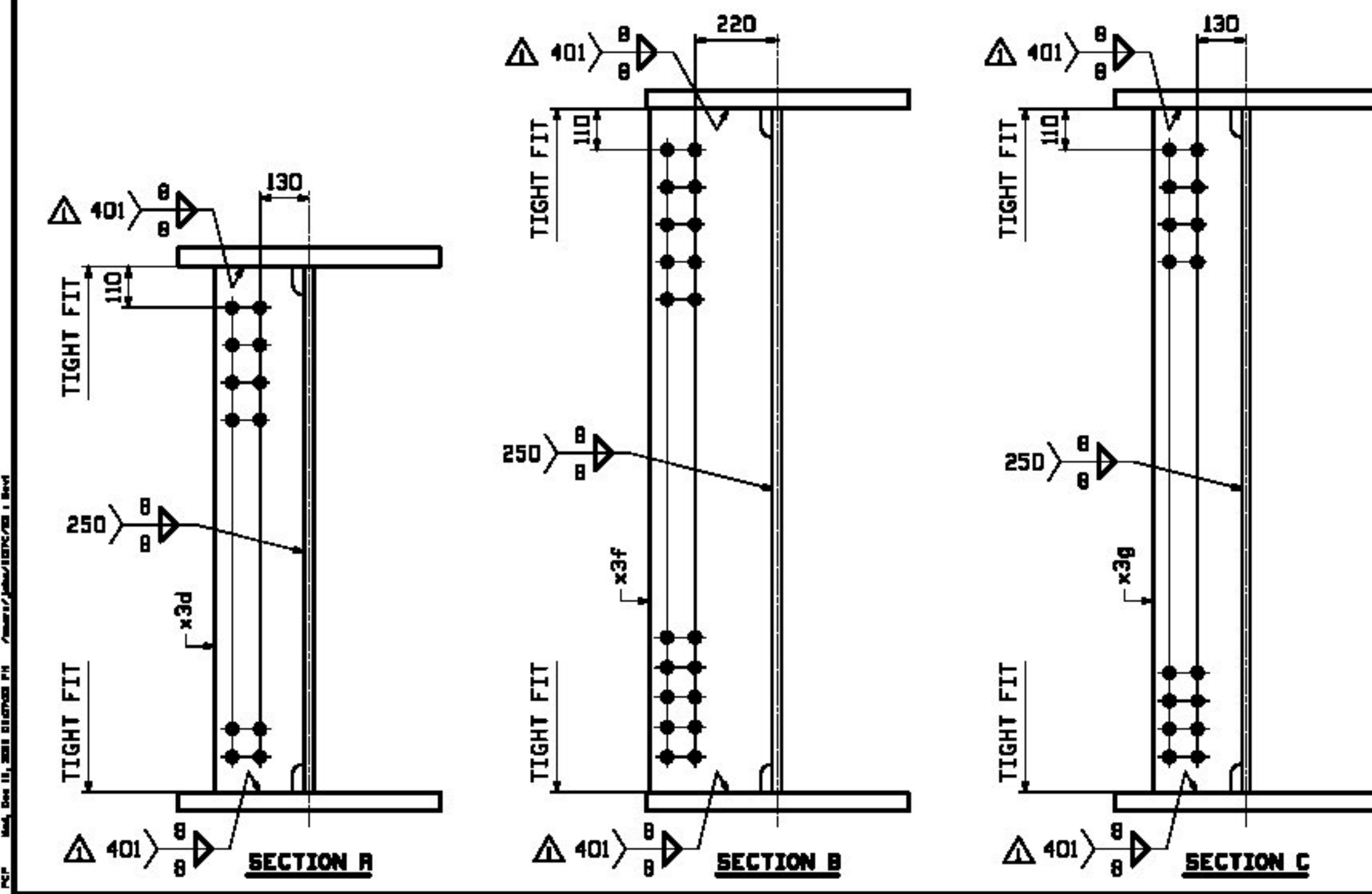


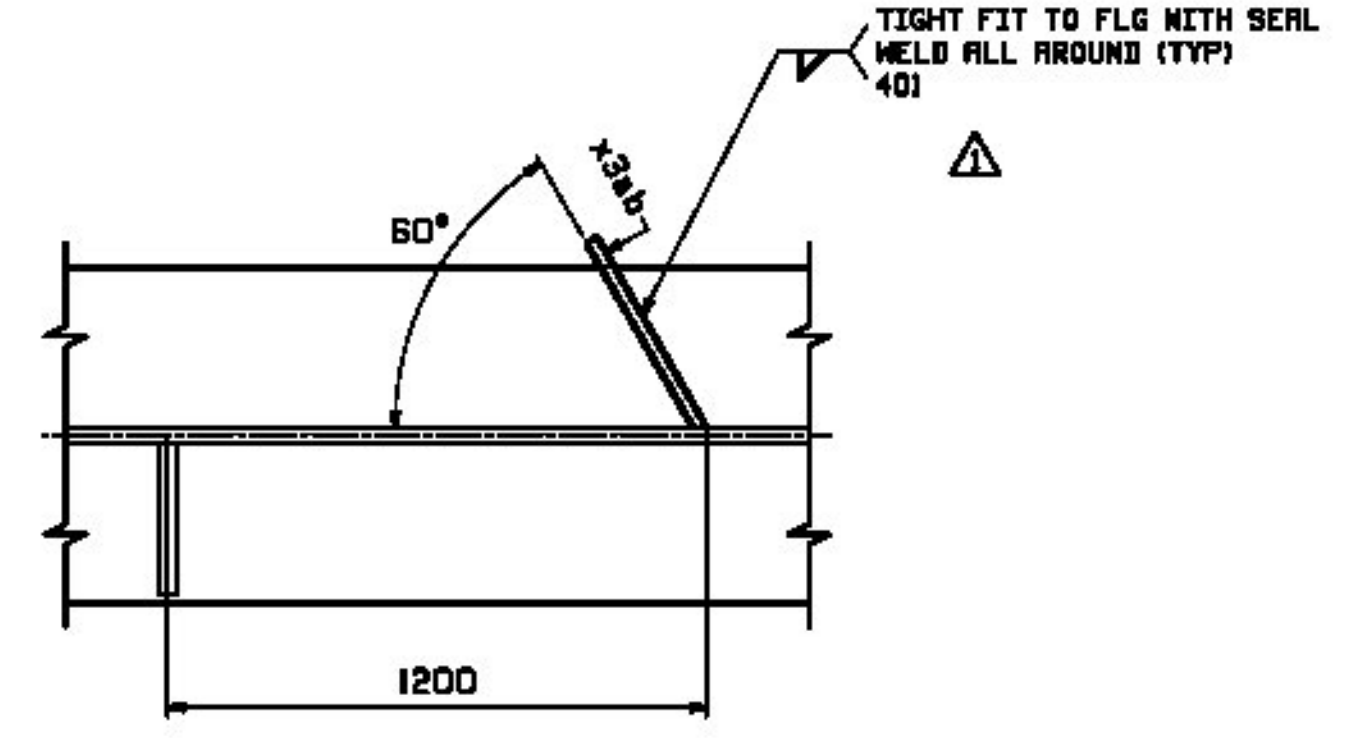
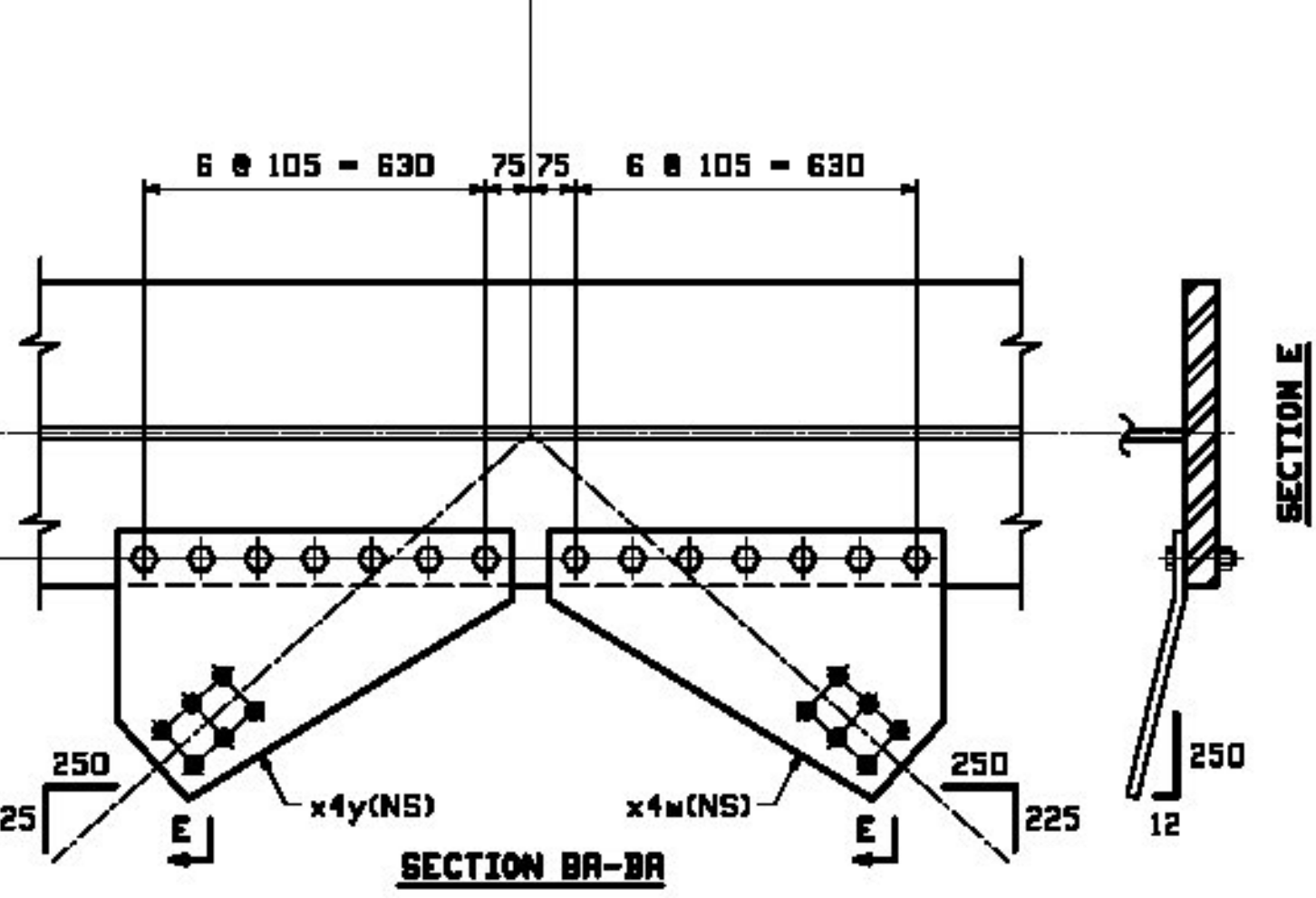
BILL OF MATERIAL				JOB NO.	DRAWING NO.	REV.
LINE	QTY	UNIT	MATERIAL	REMARKS	MT	PROCUREMENT NOTES
BGSD						
1	1	EA	PL 25x4127	12 453	0066 kg	
1	1	EA	PL 20x2125	14 058	0066 kg	
1	1	EA	PL 50x700	13 245	0066 kg	
1	1	EA	PL 50x700	13 245	0066 kg	
1	1	EA	PL 50x700	5 389	0066 kg	
1	1	EA	PL 50x700	9 218	0066 kg	
1	1	EA	PL 50x700	13 245	0066 kg	
6GIB						
3	1	EA	PL 13x240	1 530	0066 kg	
3	1	EA	PL 13x330	2 125	0066 kg	
3	2	EA	PL 13x240	2 125	0066 kg	
3	35	EA	PL 35x325	0 400	0066 kg	
6	3	EA	PL 13x730	0 424	0066 kg	
6	3	EA	PL 13x730	0 424	0066 kg	
6G5D						
1	1	EA	PL 25x4127	12 453	0066 kg	
1	1	EA	PL 20x2125	14 058	0066 kg	
1	1	EA	PL 50x700	13 245	0066 kg	
1	1	EA	PL 50x700	13 245	0066 kg	
1	1	EA	PL 50x700	5 389	0066 kg	
1	1	EA	PL 50x700	9 218	0066 kg	
1	1	EA	PL 50x700	13 245	0066 kg	
3	1	EA	PL 13x240	1 530	0066 kg	
3	1	EA	PL 13x330	2 125	0066 kg	
3	2	EA	PL 13x240	2 125	0066 kg	
3	35	EA	PL 35x325	0 400	0066 kg	
6	1	EA	PL 6x100	0 440	0066 kg	
6	3	EA	PL 13x730	0 424	0066 kg	
6	3	EA	PL 13x730	0 424	0066 kg	



ONE - GIRDER - 6GIB (CONTINUED)
ONE - GIRDER - 6G5D (CONTINUED)

FOR FIELD SPLICE DETAILS SEE DRAWINGS X1 & X2.
 FOR GIRDER STANDARD DETAILS SEE DRAWING X3 & X4.
 FOR CAMBER & FLANGE DIAGRAMS SEE DRAWING C2.
 FOR GENERAL NOTES SEE DRAWING GNL.
 T2 DENOTES MATERIAL SUBJECT TO CHARPY V-NOTCH TESTING.

STAMPS:
 Agency of Transportation
 Approved _____
 Finish as Corrected _____
 Douglas B. Borneau, P.E.
 Structures Project Manager



WORK THIS SHEET WITH SHEET 68B

REV.	DATE	REMARKS	DMN	CHK	APVL	SHOP
12/19		APPROVAL COMMENTS	EEO	PCP		

MATERIAL: M270M-345M U.S. SURFACE PREP. & PAINT: SEE GNL HOLES: 1/8" SHOP BOLTS: AS NOTED

DESCRIPTION: GIRDER DETAIL - 6GIB & 6G5D

CASCO BAY STEEL STRUCTURES, INC.
 1 WALLACE AVE. PHONE (207) 780-6722
 SOUTH PORTLAND, ME 04106 FAX. (207) 780-6726

STRUCTURE: VT 100 OVER LAHOILLE RIVER
 MORRISTOWN, VT LAHOILLE COUNTY
 STP F 029-1 (2) C/1

LOCATION: MORRISTOWN, VT JOB NO. 521
 PROJ NO. STP F 029-1(2)C/1
 CUSTOMER: MINTERSET, INC.

DATE: 08/23
 DATE: 09/17
 DRAWN: EEO
 CHECKED: PCP
 DWG NO. 68
 REV. 1