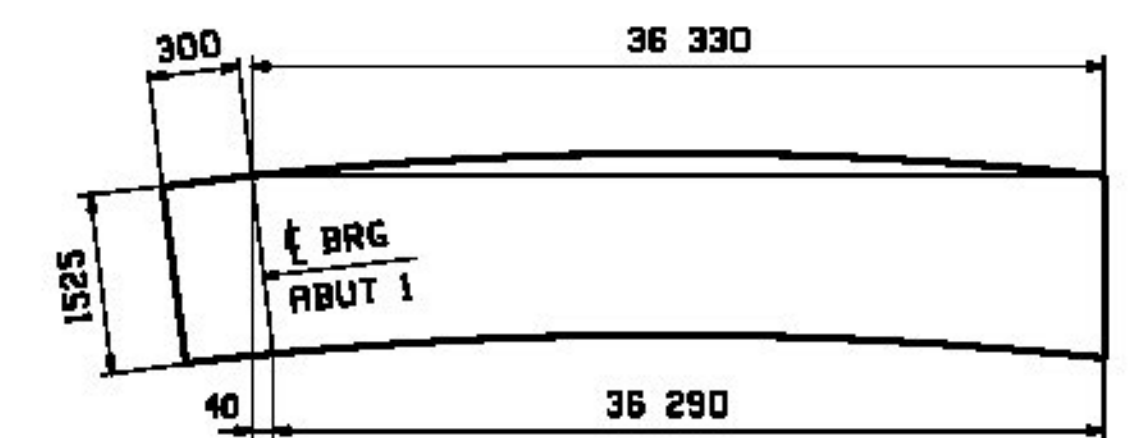


BILL OF MATERIAL				JOB NO.	DRAWING NO.	REV.
LINE	QTY	UNIT	MATERIAL	REMARKS	MT	PROCUREMENT NOTES
1	1	SG5A	GIRDER		3630	
2	1	max	PL 20x1525		402	
3	1	mb	PL 20x1525		232	
4	1	tw	PL 30x450		850	
5	1	tb	PL 50x450		780	
6	1	ba	PL 35x600		810	
7	1	bb	PL 50x600		780	
8	1	x3a	PL 25x215		525	
9	1	x3b	PL 25x215		525	
10	5	x3c	PL 13x215		525	
11	1	x3aa	PL 6x100		395	
12	1	x4f	PL 13x715		470	
13	4	x4h	PL 13x715		467	
14	5	x4k	PL 13x715		467	
15	1	x4aa	PL 13x950		479	
16	1	x4ad	PL 13x950		464	
17	56	7 # HSB			37	
18	28	7 # HSB			37	
19	84	7 # HSB			37	
20	84	7 # HSB			37	

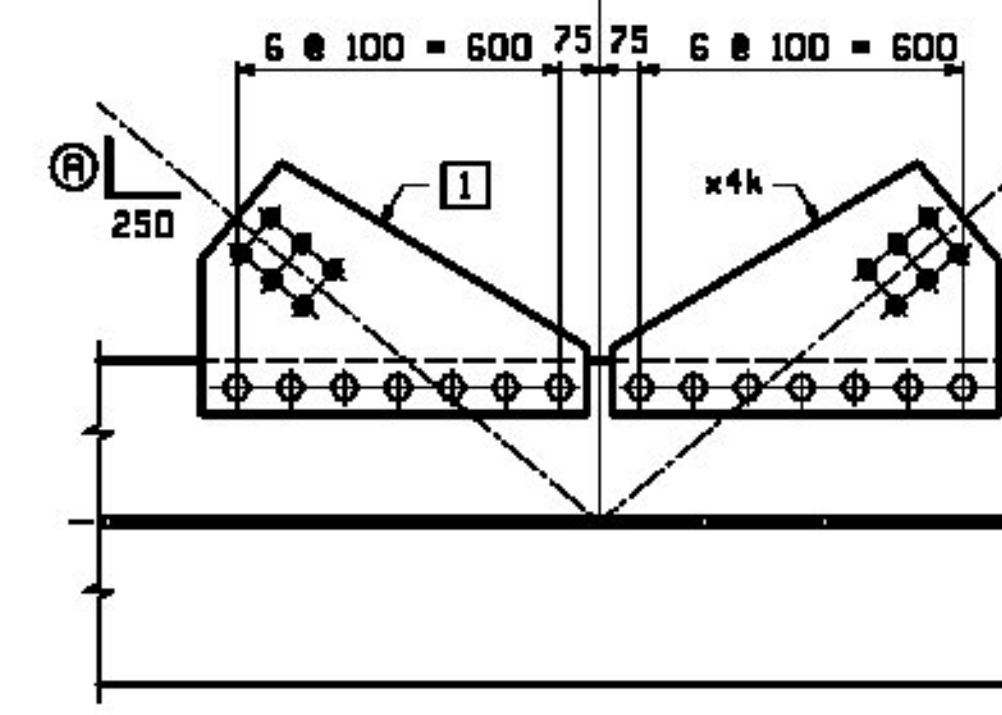
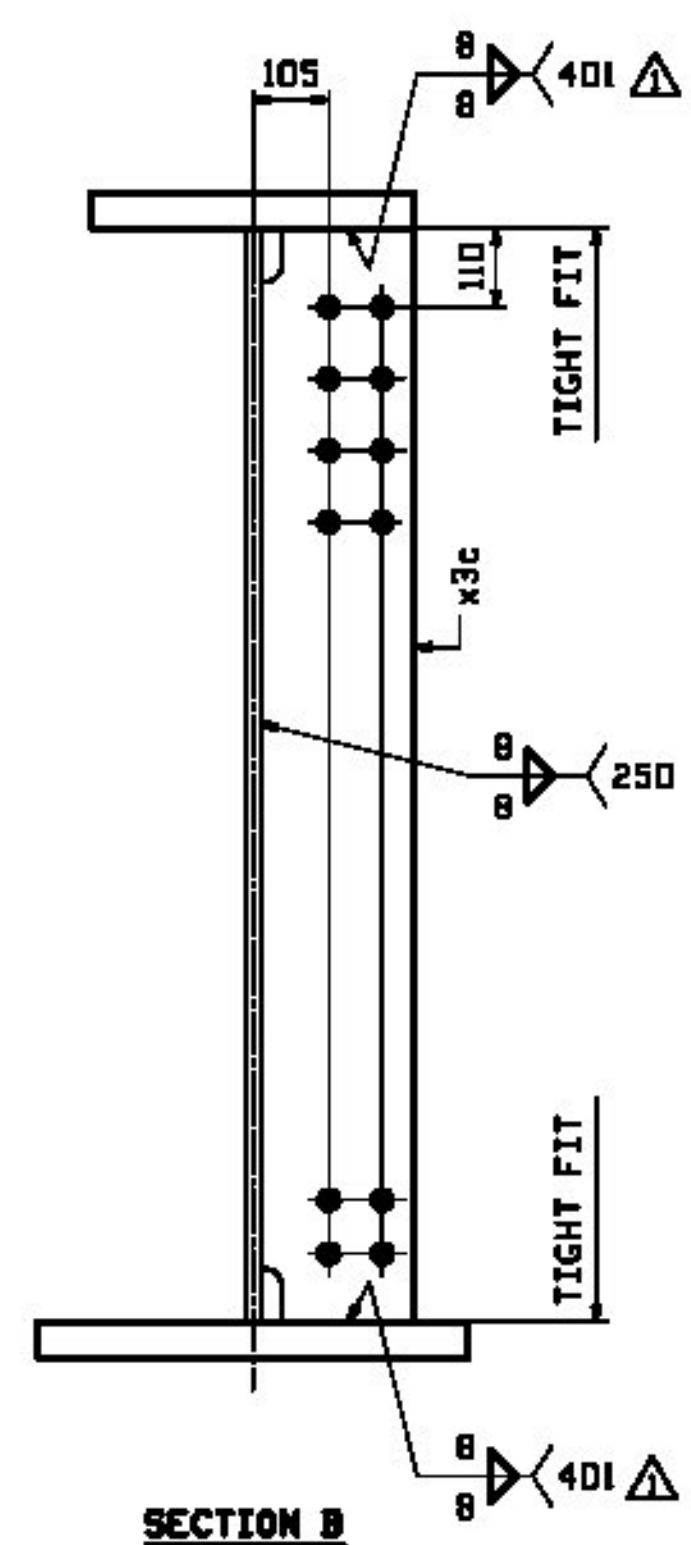
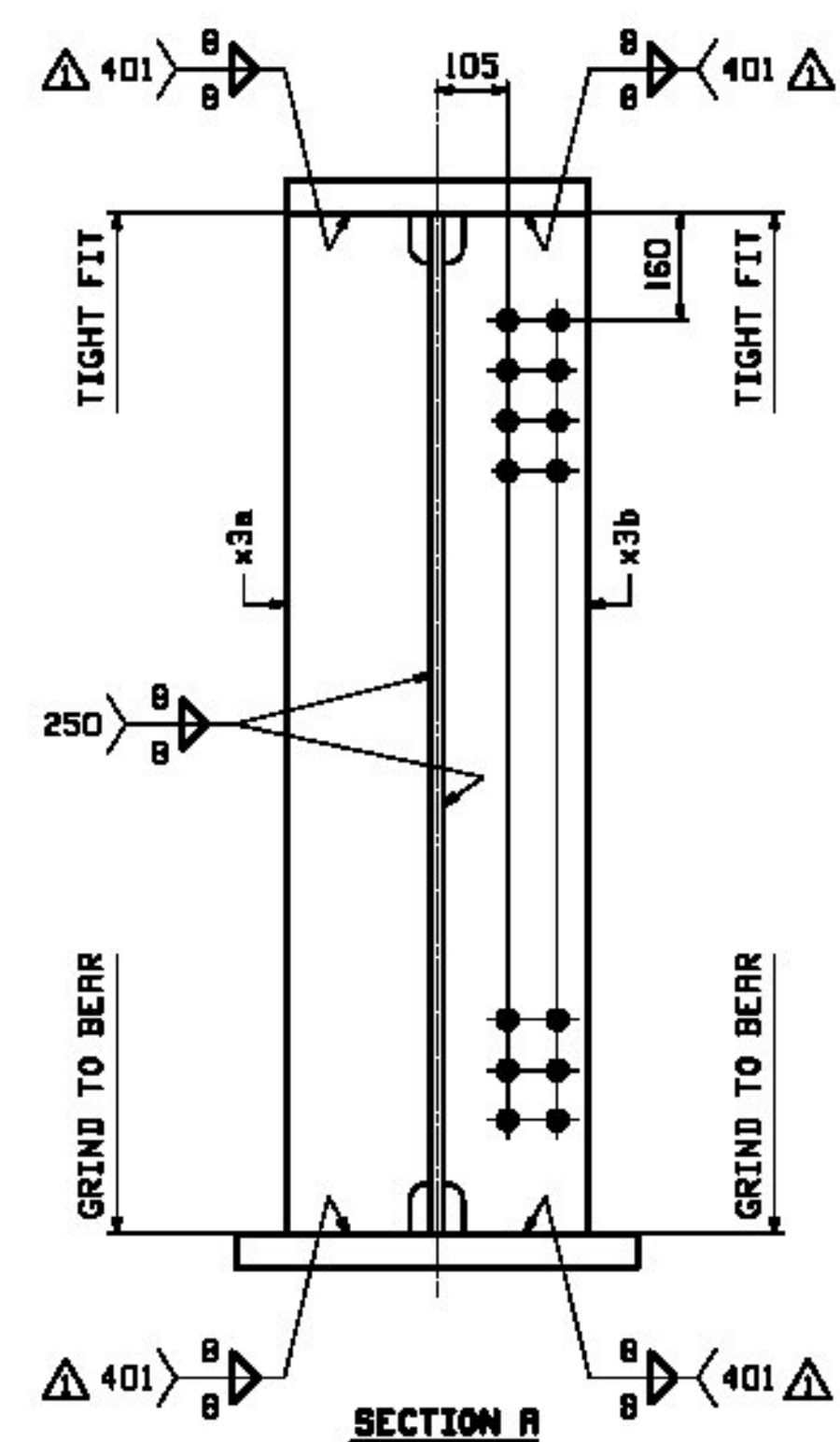
FOR FIELD SPLICE DETAIL SEE X11 ON SHT XI



ONE - GIRDER - 5G5A

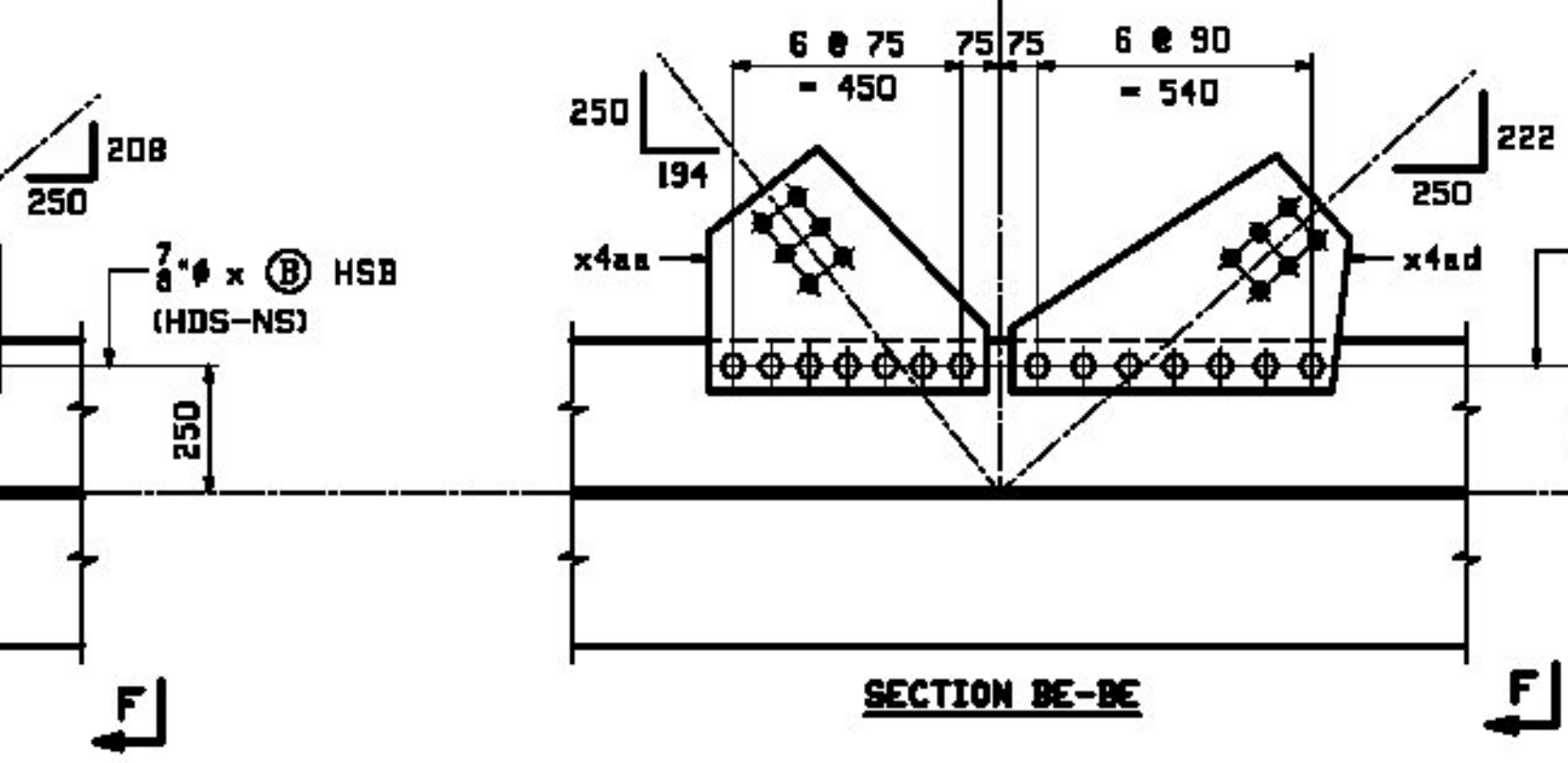
NOTE A: BEARING AREA TO RECEIVE FIELD WELDED SOLE PLATE. NO PAINT BOTTOM & EDGES OF BOTTOM FLANGE.

FOR FIELD SPLICE DETAILS SEE DRAWING XI.
FOR GIRDER STANDARD DETAILS SEE DRAWING X3 & X4.
FOR CAMBER & FLANGE DIAGRAMS SEE DRAWING C1.
FOR GENERAL NOTES SEE DRAWING GNI.
T2 DEMOTES MATERIAL SUBJECT TO CHARPY V-NOTCH TESTING.

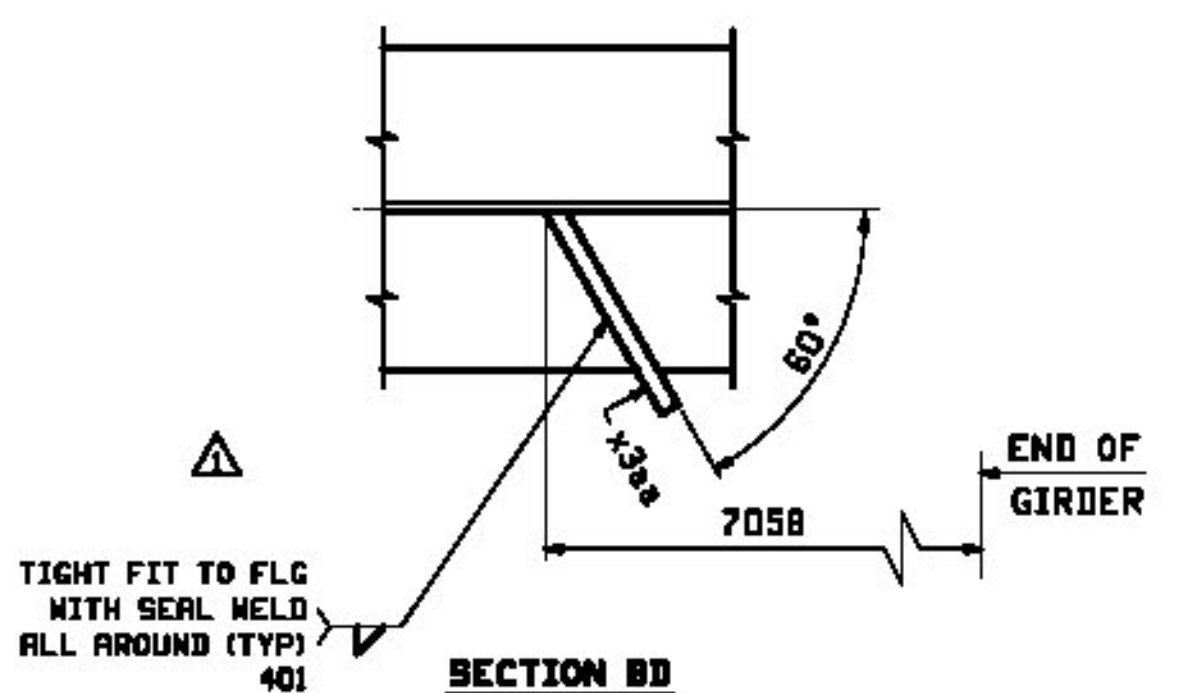


SECTION BA-BA
SECTION BB-BB
SECTION BC-BC

SECTION	①	Ⓐ	Ⓑ
BA-BA	x4f	210	3 1/4
BB-BB	x4h	208	3 1/4
BC-BC	x4h	208	4



SECTION BE-BE



SECTION BD

APPROVED
Agency of Transportation
Approved
Furnish as Corrected
Douglas E. Barneau, P.E.
Structures Project Manager

Rejected
Revise & Resubmit
Date

REV.	DATE	REMARKS	DWR	CHK	APVL	SHOP
12/18		APPROVAL COMMENTS	EEO	PCP		

MATERIAL: M270M-345W UN SURFACE PREP. & PRINT: SEE GNI HOLES: 15 16# SHOP BOLTS: AS NOTED

DESCRIPTION: GIRDER DETAIL - 5G5A

CASCO BAY STEEL STRUCTURES, INC.
1 WALLACE AVE. PHONE (207) 780-6722
SOUTH PORTLAND, ME 04106 FAX. (207) 780-6726

STRUCTURE: VT 100 OVER LAHOILLE RIVER MORRISTOWN, VT LAHOILLE COUNTY STP F 028-1 (2) C/1

LOCATION: MORRISTOWN, VT JOB NO. 521

PROJ NO. STP F 028-1(2)C/1

CUSTOMER: MINTERSET, INC.

DRAWN: CRK DATE: 08/25
CHKD: PCP DATE: 9/17/12