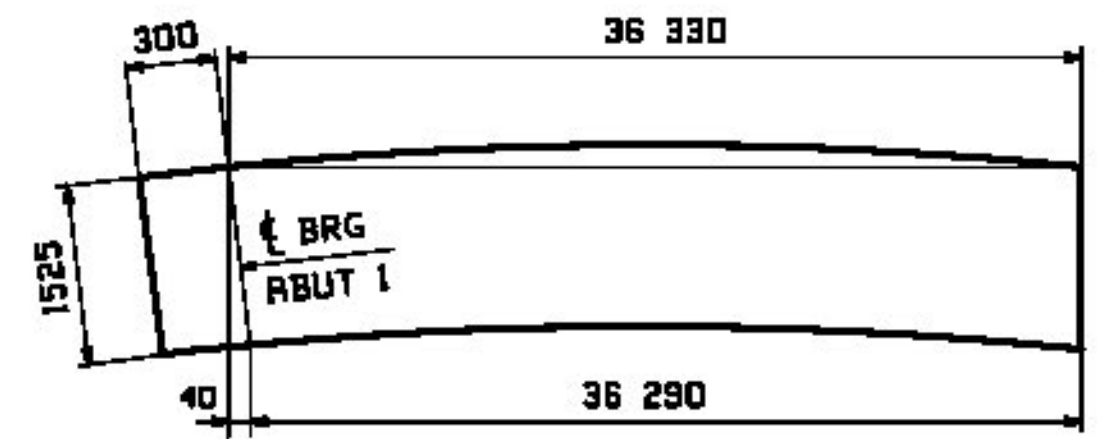


LINE	MARK	QTY	MARK	MATERIAL	LENGTH	REMARKS	WT	PROCUREMENT NOTES
1	IG1A	1		GIRDER			30000 kg	
2	C	1	wb	PL 20x1525	12 402	M270M-345WTZ	2988 kg	
2	H	1	wb	PL 20x1525	24 232	M270M-345WTZ	2988 kg	
2	Q	1	tb	PL 30x450	25 850		2945 kg	
2	J	1	tb	PL 50x450	9 780		1727 kg	
1	M	1	bb	PL 35x600	25 610	M270M-345WTZ	4420 kg	
1	L	1	bb	PL 50x600	9 780	M270M-345WTZ	2988 kg	
3	T	1	x3a	PL 25x215	1 525	M270M-345WTZ	84 kg	
3	T	1	x3b	PL 25x215	1 525	M270M-345WTZ	84 kg	
3	U	5	x3c	PL 13x215	1 525	M270M-345WTZ	33 kg	
6	R	1	x3ad	PL 6x100	0 355		8 kg	
6	G	1	x4g	PL 13x715	0 470	(BENT)	34 kg	
6	G	5	x4h	PL 13x715	0 467	(BENT)	34 kg	
6	G	4	x4k	PL 13x715	0 467	(BENT)	34 kg	
6	H	1	x4ab	PL 13x550	0 479	(BENT)	27 kg	
6	J	1	x4ac	PL 13x565	0 464	(BENT)	31 kg	
8	F	36	7 # HSB	7 # HSB	0 31	RCY1	37 kg	
8	J	28	7 # HSB	7 # HSB	0 4	RCY1	37 kg	
8	P	84	7 # HSB	7 # HSB	0 31	RCY1	37 kg	
8	Q	84	7 # HSB	7 # HSB	0 31	RCY1	37 kg	

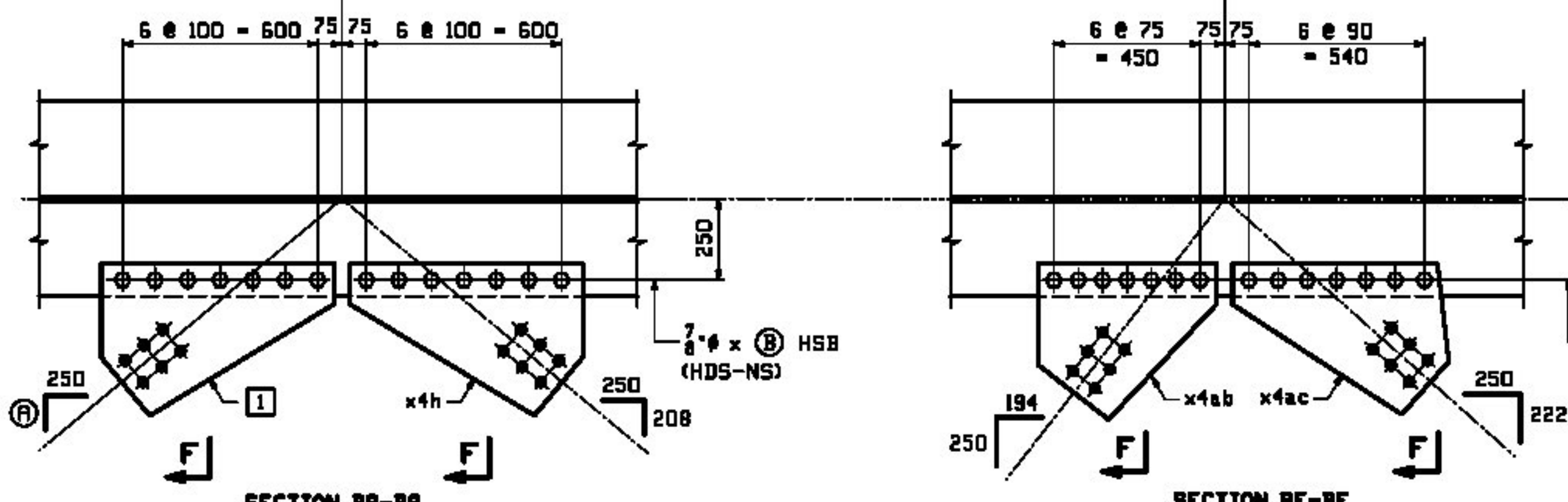
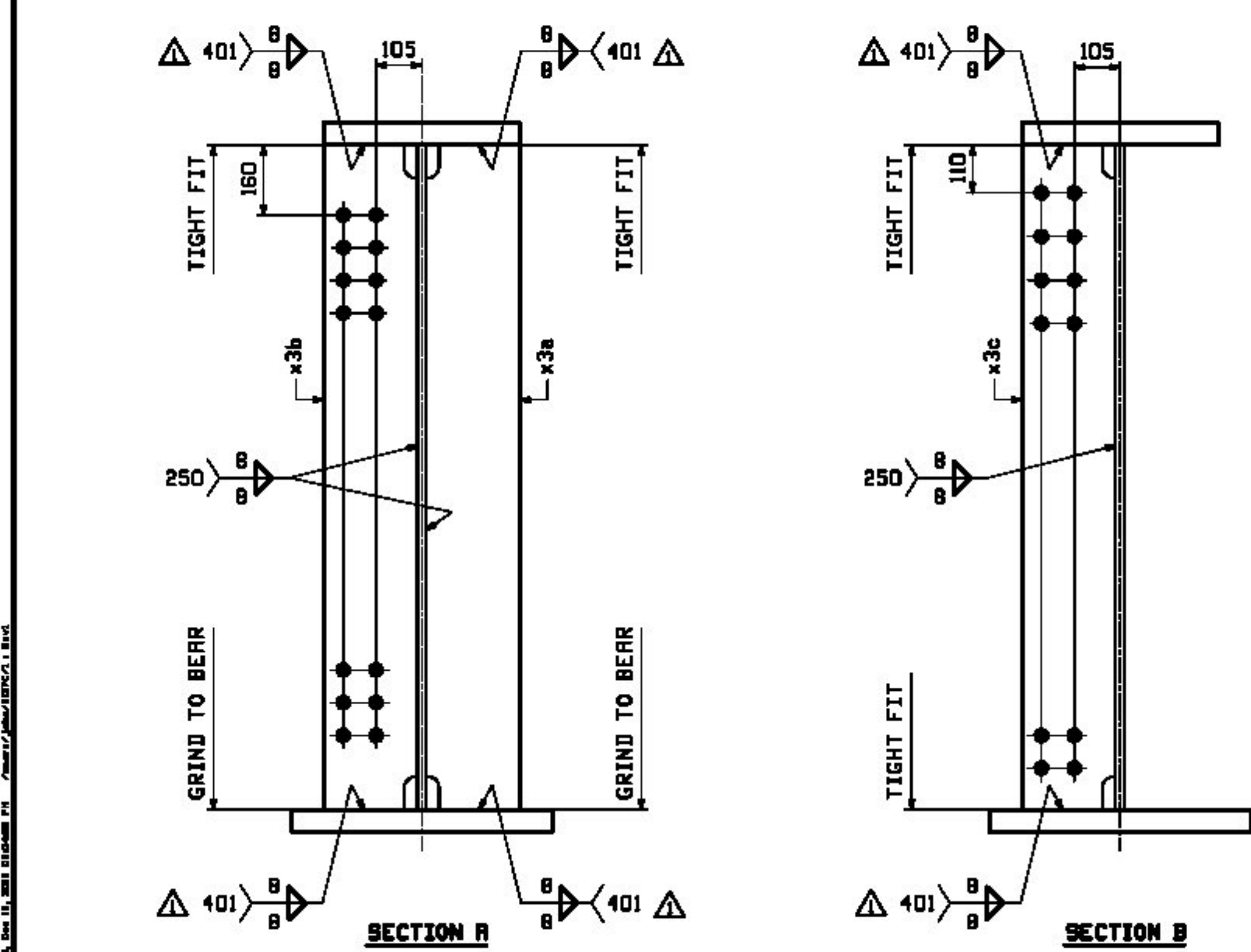
FOR FIELD SPLICE DETAIL SEE XIMI ON SHT XI



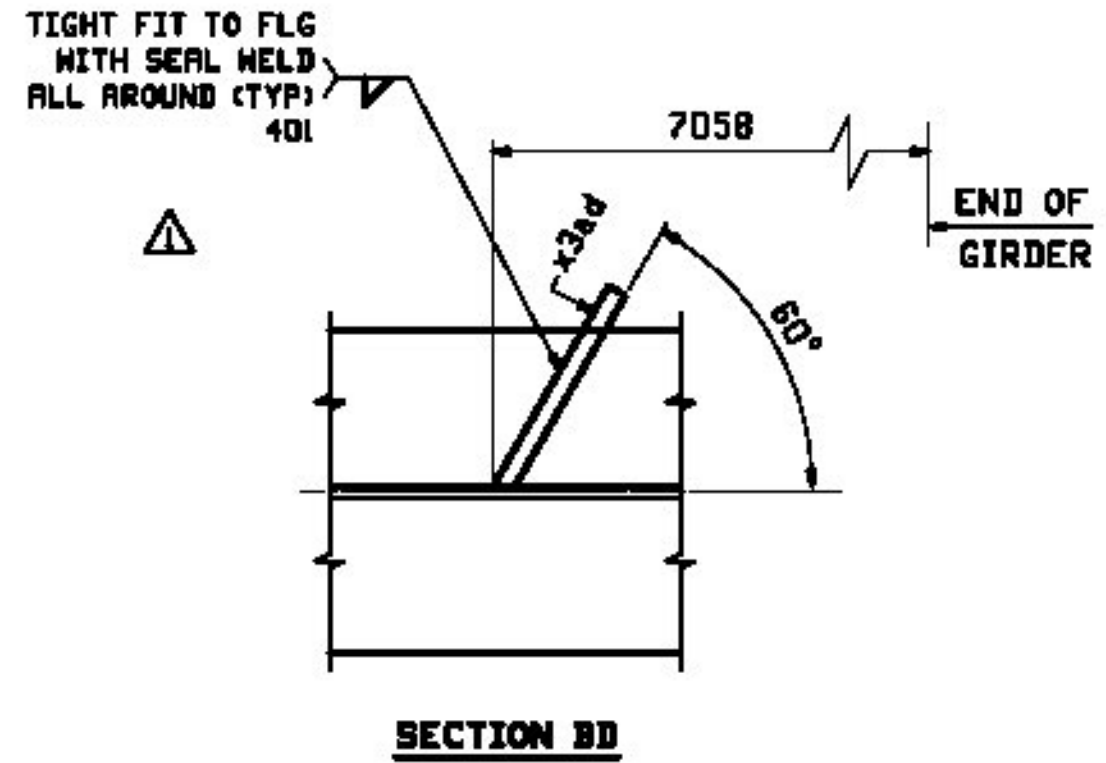
**ONE - GIRDER - IG1A**

NOTE A: BEARING AREA TO RECEIVE FIELD WELDED SOLE PLATE. NO PRINT BOTTOM & EDGES OF BOTTOM FLANGE.

FOR FIELD SPLICE DETAILS SEE DRAWING XI.  
FOR GIRDER STANDARD DETAILS SEE DRAWING X3 & X4.  
FOR CAMBER & FLANGE DIAGRAMS SEE DRAWING C1.  
FOR GENERAL NOTES SEE DRAWING GNI.  
TZ DENOTES MATERIAL SUBJECT TO CHARPY V-NOTCH TESTING.



SECTION	I	A	B
BA-BA	x4g	210	3 1/4
BB-BB	x4k	208	3 1/4
BC-BC	x4k	208	4



APPROVED  
Agency of Transportation  
Approved  
Furnish as Corrected  
Date  
Douglas E. Borreau, P.E.  
Structures Project Manager

REJECTED  
Revised & Resubmitted  
8/10/14

REV.	DATE	REMARKS	OWN	CHK	APPL	SHOP
0	12/18	APPROVAL COMMENTS	EEO	PCP		
MATERIAL:	M270M-345W UN	SURFACE PREP. & PRINT: SEE GNI	HOLES: 5/16"	SHOP BOLTS: AS NOTED		
DESCRIPTION: GIRDER DETAIL - IG1A						
CASCO BAY STEEL STRUCTURES, INC. 1 WALLACE AVE. MORRISTOWN, VT 05253 SOUTH PORTLAND, ME 04106						
STRUCTURE: VT 100 OVER LAMOILLE RIVER MORRISTOWN, VT LAMOILLE COUNTY STP F 029-1 (2) C/1			DRAWN: CRK	DATE: 08/23		
LOCATION: MORRISTOWN, VT			CHKD: PCP	DATE: 9/17/12		
PROJ NO. STP F 029-1(2)C/1						
CUSTOMER: MINTERSET, INC.						