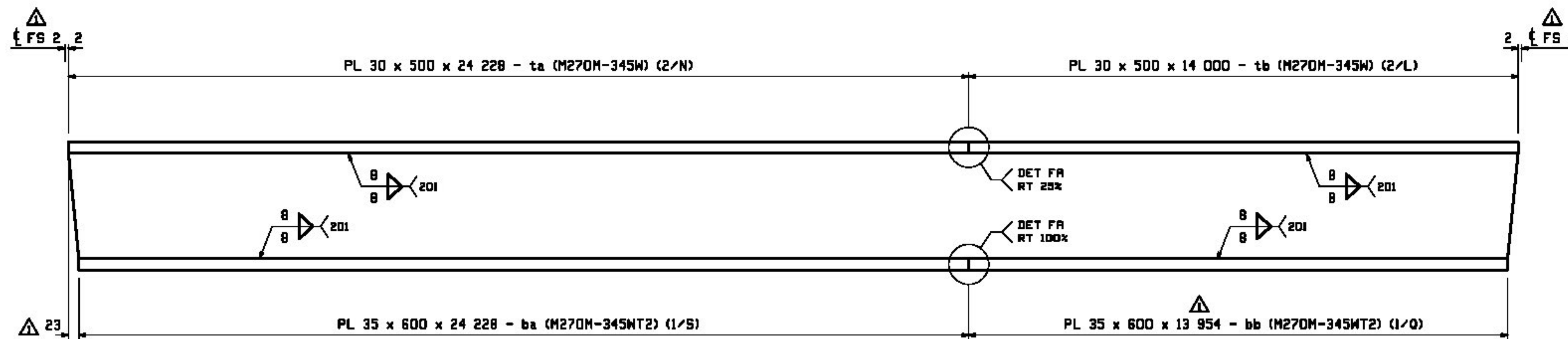
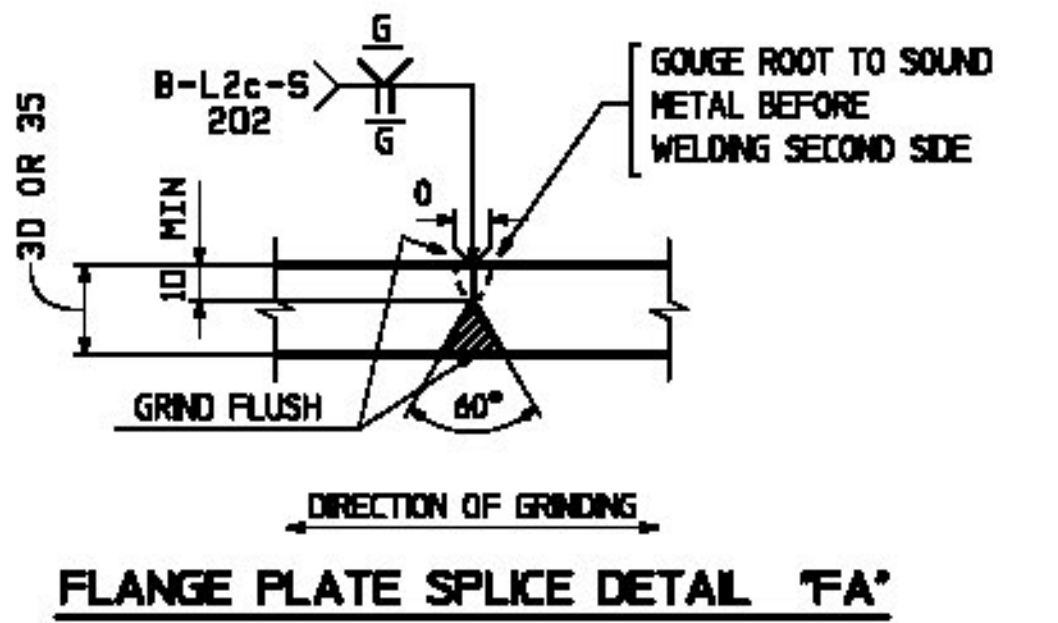
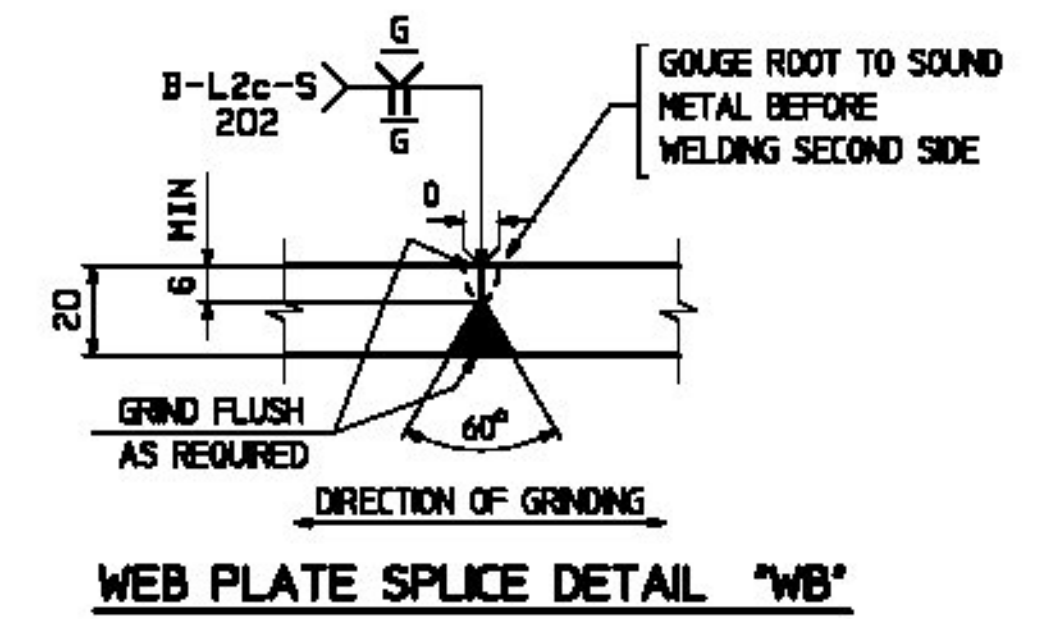


CAMBER DIAGRAM FOR GIRDERS 11G1C, 12G2C, 13G3C, 14G4C & 15G5C



FLANGE DIAGRAM FOR GIRDERS 11G1C, 12G2C, 13G3C, 14G4C & 15G5C

- NOTES:
 1. FOR GENERAL NOTES SEE DRAWING GNI.
 2. T2 - DENOTES MATERIAL SUBJECT TO CHARPY V-NOTCH TEST AT H FREQ. FOR ZONE 2.

REV.	DATE	REMARKS	DWN	CHK	APVL	SHOP
1	8/24/12	REV'D FIELD SPLICE LABELS, GEOMETRIC CAMBER	EEO	PCP		
2						

MATERIAL:		SURFACE PREP. & PAINT:		HOLES:		SHOP BOLTS:		
DESCRIPTION: CAMBER & FLANGE DIAGRAMS								
CASCO BAY STEEL STRUCTURES, INC. 1 WALLACE AVE. PHONE (207) 780-6722 SOUTH PORTLAND, ME 04106 FAX. (207) 780-6726								
STRUCTURE:	VT 100 OVER LAHOILLE RIVER MORRISTOWN, VT LAHOILLE COUNTY STP F 029-1 (2) C/1			DRAWN:	EEO	DATE:	08/21	
LOCATION:	MORRISTOWN, VT			CHKD:	SOB	DATE:	08/27	
PROJ NO.	STP F 029-112C/1			JOB NO.	521		DWG NO.	C3
CUSTOMER:	MINTERSET, INC.			REV.	A			

VERMONT Agency of Transportation
 X Approved
 Douglas E. Borneau, P.E.
 Structures Project Manager
 Date: 12/10/12
 Rejected
 Revise & Resubmit

Reviewed
 Rejected
 Furnish As Corrected
 Revise and Resubmit
 This review is only for general conformance with the design concept and the information given in the Construction Documents. Corrections or comments made on the shop drawings during the review do not relieve the Contractor from compliance with the requirements of the Plans and Specifications. Review of a specific item shall not include review of an assembly of which an item is a component. The Contractor is responsible for dimensions to be confirmed and corrected at the job site; information that pertains solely to the fabrication process or to the means, methods, techniques, sequences and procedures of construction; coordination of the Work with that of other trades and performing all Work in a safe and satisfactory manner.
 Date: October 24, 2012
 By: D. Kull
 McFarland Johnson