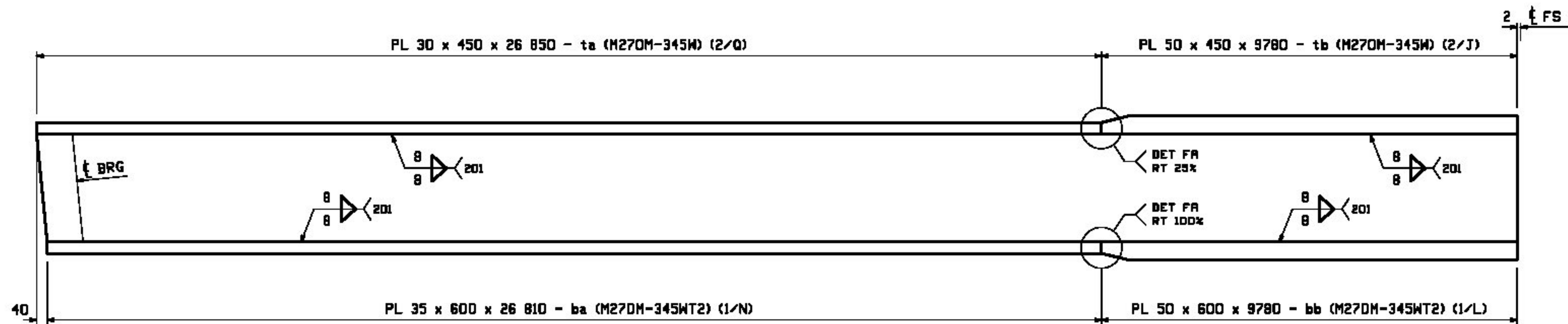
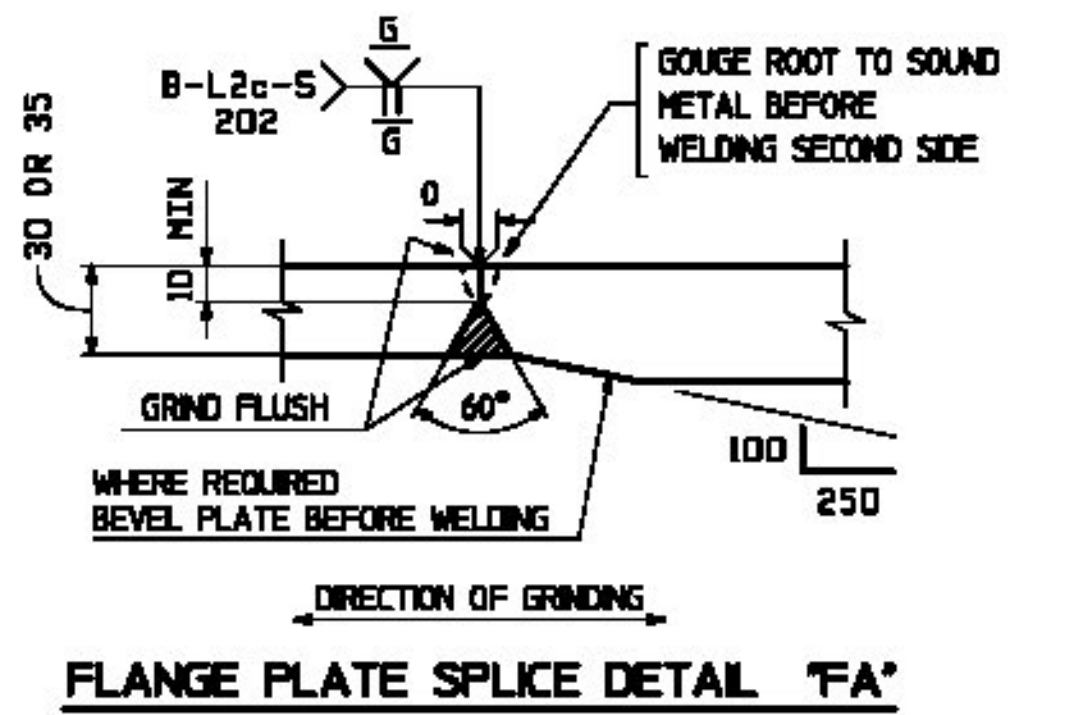
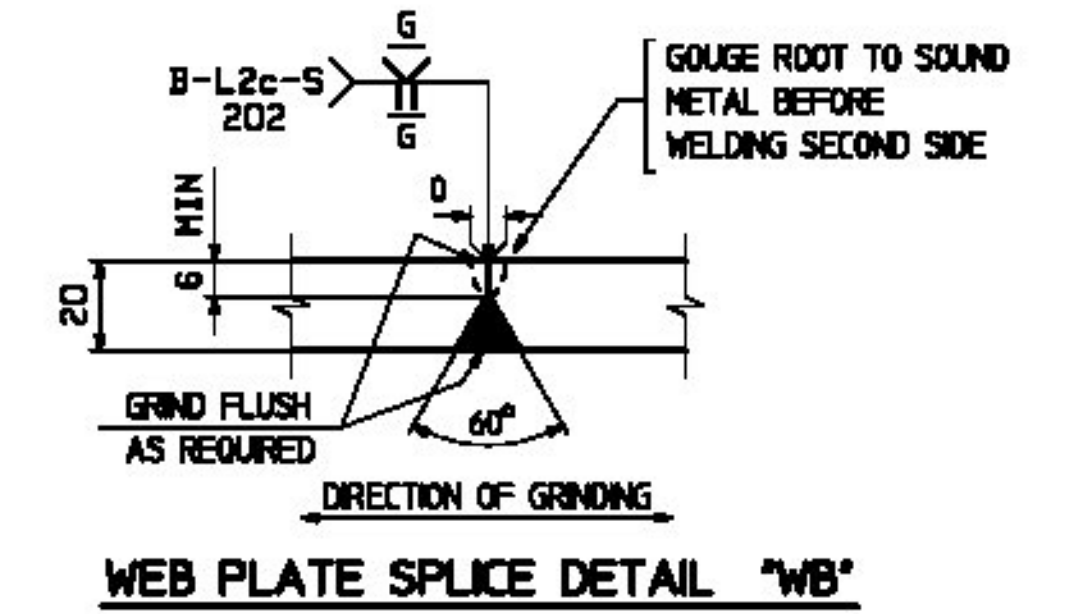


CAMBER DIAGRAM FOR GIRDERS 1G1A, 2G2A, 3G3A, 4G4A & 5G5A



FLANGE DIAGRAM FOR GIRDERS 1G1A, 2G2A, 3G3A, 4G4A & 5G5A

- NOTES:
 1. FOR GENERAL NOTES SEE DRAWING GNI.
 2. T2 - DENOTES MATERIAL SUBJECT TO CHARPY V-NOTCH TEST AT H FREQ. FOR ZONE 2.

09/24	GEOMETRIC CAMBER	SOB	EEO		
REV.	DATE	REMARKS	DWN	CHK	APVL
MATERIAL:		SURFACE PREP. & PAINT:	HOLES:		SHOP BOLTS:

DESCRIPTION: CAMBER & FLANGE DIAGRAMS					
CASCO BAY STEEL STRUCTURES, INC.					
1 WALLACE AVE.		PHONE (207) 780-6722		TENSOR SUBC	
SOUTH PORTLAND, ME 04106		FAX. (207) 780-6726			
STRUCTURE:	VT 100 OVER LAHOILLE RIVER	DRAWN:	EEO	DATE:	08/21
	MORRISTOWN, VT LAHOILLE COUNTY	CHKD:	SOB	DATE:	08/27
	STP F 029-1 (2) C/1				
LOCATION:	MORRISTOWN, VT	JOB NO.:	521	DWG NO.:	C1
PROJ NO.:	STP F 029-1(2)C/1			REV.:	
CUSTOMER:	MINTERSET, INC.				

VERMONT Agency of Transportation
 X Approved
 Furnish as Corrected
 Douglas E. Bonneau, P.E.
 Structures Project Manager
 12/10/12
 Date

Reviewed
 Rejected
 Furnish As Corrected
 Revise and Resubmit
 This review is only for general conformance with the design concept and the information given in the Construction Documents. Corrections or comments made on the shop drawings during the review do not relieve the Contractor from compliance with the requirements of the Plans and Specifications. Review of a specific item shall not include review of an assembly of which an item is a component. The Contractor is responsible for dimensions to be confirmed and corrected at the job site; information that pertains solely to the fabrication process or to the means, methods, techniques, sequences and procedures of construction; coordination of the Work with that of other trades and performing all Work in a safe and satisfactory manner.
 Date: October 24, 2012
 By: D. Kull
 McFarland Johnson