

Vermont Agency of Transportation
RECEIVED

CK'D BY D.E.B. OK'D BY D.E.B.

March 26, 2013

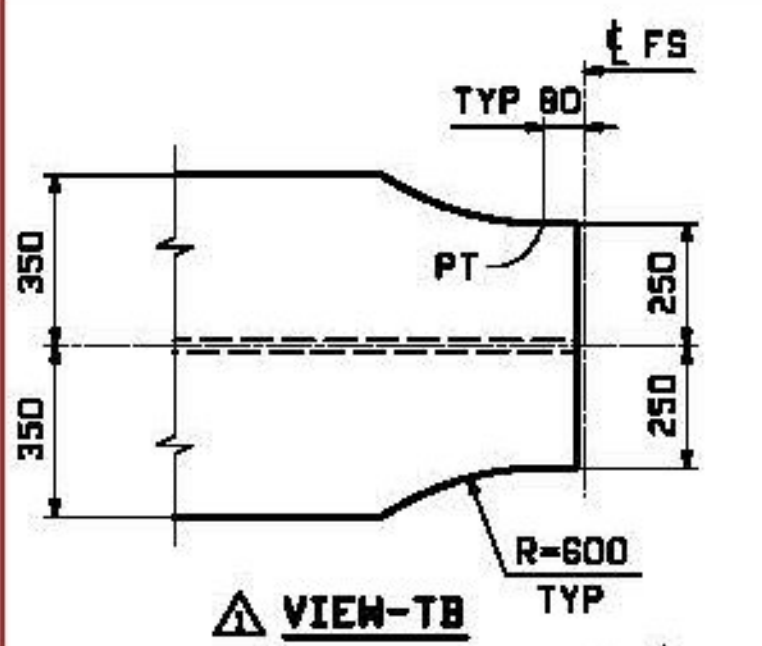
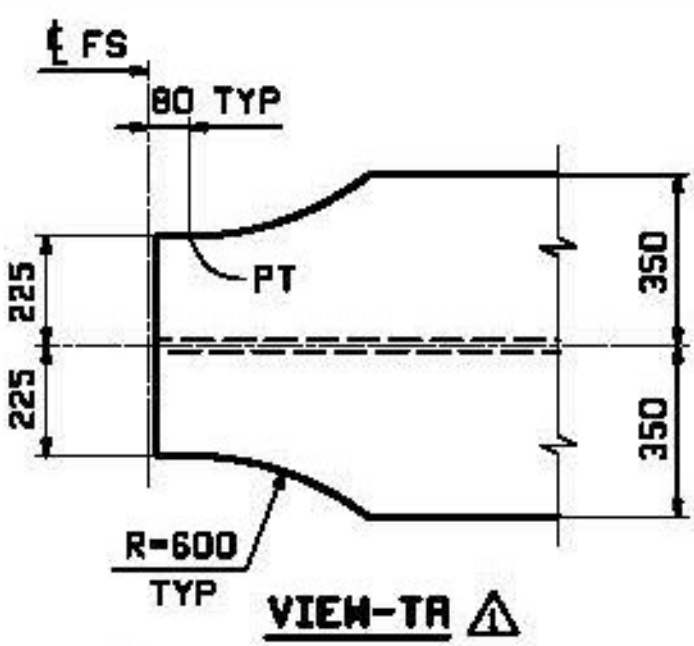
RESUBMIT No Approved AsNoted
BY T. Bohl DATE 03/28/2013

Reviewed	X	Furnish As Corrected
Rejected		Revise and Resubmit

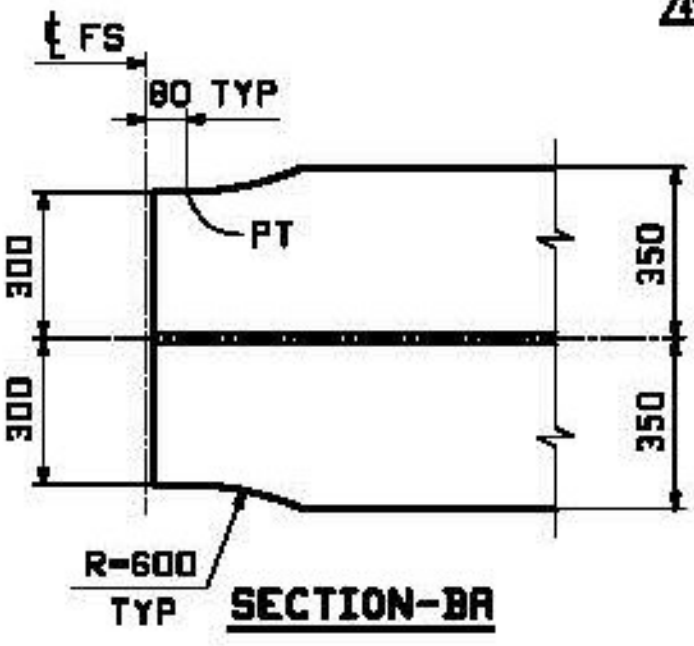
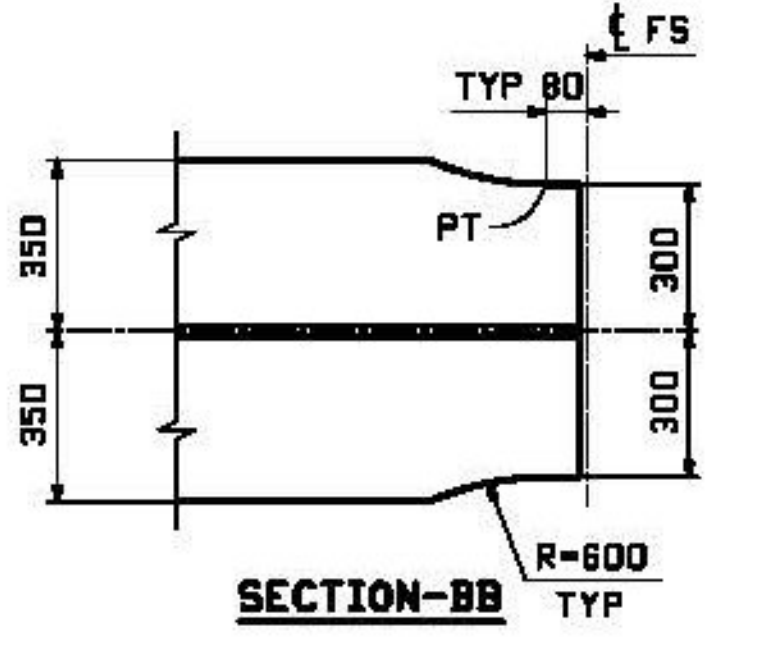
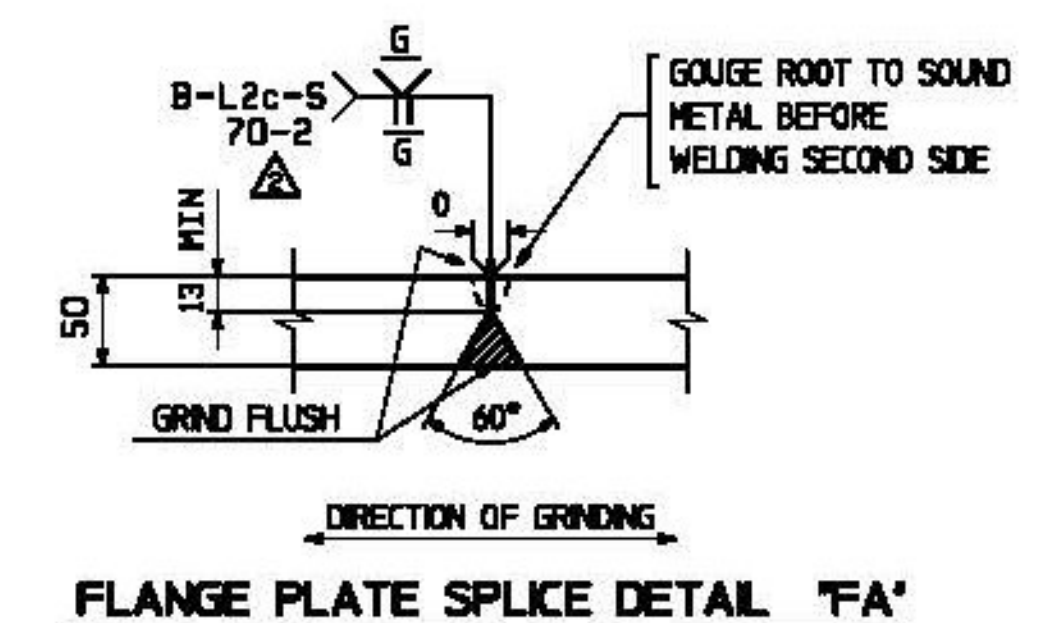
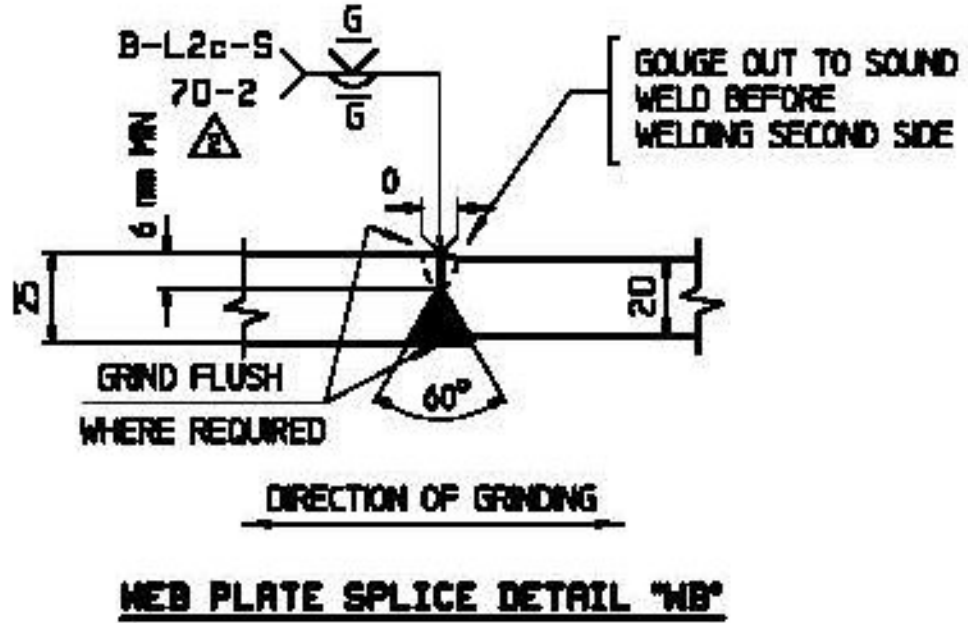
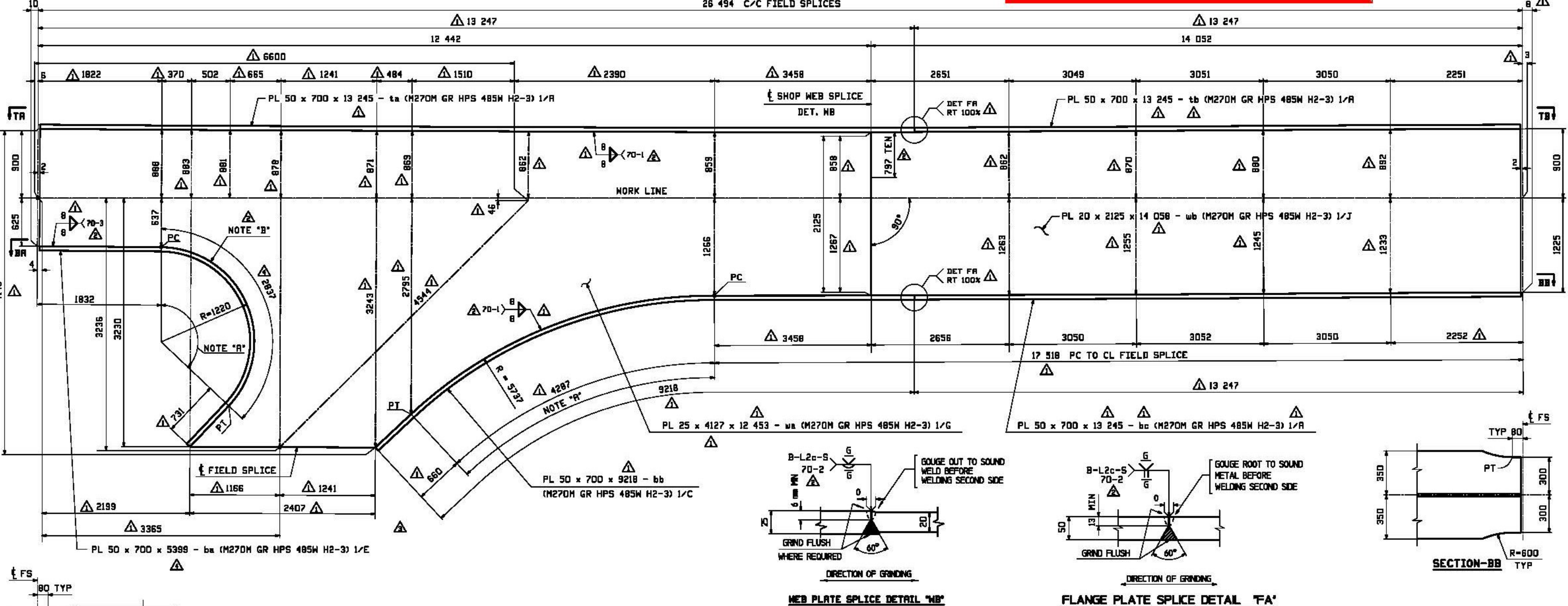
This review is only for general conformance with the design concept and the information given in the Construction Documents. Corrections or comments made on the shop drawings during the review do not relieve the Contractor from compliance with the requirements of the Plans and Specifications. Review of a specific item shall not include review of an assembly of which an item is a component. The Contractor is responsible for dimensions to be confirmed and corrected at the job site; information that pertains solely to the fabrication process or to the means, methods, techniques, sequences and procedures of construction; coordination of the Work with that of other trades and performing all Work in a safe and satisfactory manner.

Date: March 27, 2013
By: D. Kull

McFarland Johnson



26 494 C/C FIELD SPLICES



NOTE "A"
CURVED AREA OF FLANGE PLATE TO BE UT TESTED AFTER ROLLING

NOTE "B"
BEFORE HOT OR COLD BENDING, THE CORNERS OF THE PLATE SHALL BE ROUNDED TO A RADIUS OF 1/4" THROUGHOUT THAT PORTION OF THE PLATE AT WHICH THE BENDING IS TO OCCUR (TYP).

WEB CUTTING AND FLANGE BENDING DIAGRAMS FOR
GIRDERS 6G1B, 8G3B, 9G4B, 10G5B AT SOUTH LEG
GIRDERS 6G5D, 7G4D, 8G3D, 9G2D, 10G1D AT NORTH LEG

NOTES:
- FOR GENERAL SHOP NOTES SEE DRAWING GNI
- H2-3 INDICATES PLATES THAT REQUIRE CHARPY V-NOTCH TEST AT H FREQUENCY FOR ZONE 2
- ALL MATERIALS AASHTO M270M-GR HPS 485W

REV.	DATE	REMARKS	DMN	CHK	APVL	SHOP
1	2/20/12	REMOVE GIRDER 7G5B & MOVE TO SHEET C6	EEO	PCP		
2	2/15/12	REMOVE HILL TO BEING	CRK	PCP		
3	12/19	APPROVAL COMMENTS	EEO	PCP		
4	2/18/12	ADD WELD & FLG SPLICES, GEOMETRIC CAMBER	EEO	PCP		

DESCRIPTION: CAMBER DIAGRAMS	
CASCO BAY STEEL STRUCTURES, INC. 1 WALLACE AVE. SOUTH PORTLAND, ME 04106 PHONE (207) 780-6722 FAX. (207) 780-6726	
STRUCTURE: VT 100 OVER LAHOILLE RIVER MORRISTOWN, VT LAHOILLE COUNTY STP F 029-1 (2) C/1	DRAWN: NJG DATE: 08/07
LOCATION: MORRISTOWN, VT	CHKD: SOB DATE: 08/09
PROJ. NO.: STP F 029-1(2)C/1	JOB NO.: 521
CUSTOMER: MINTERSET, INC.	DWG NO.: C2 REV.: A