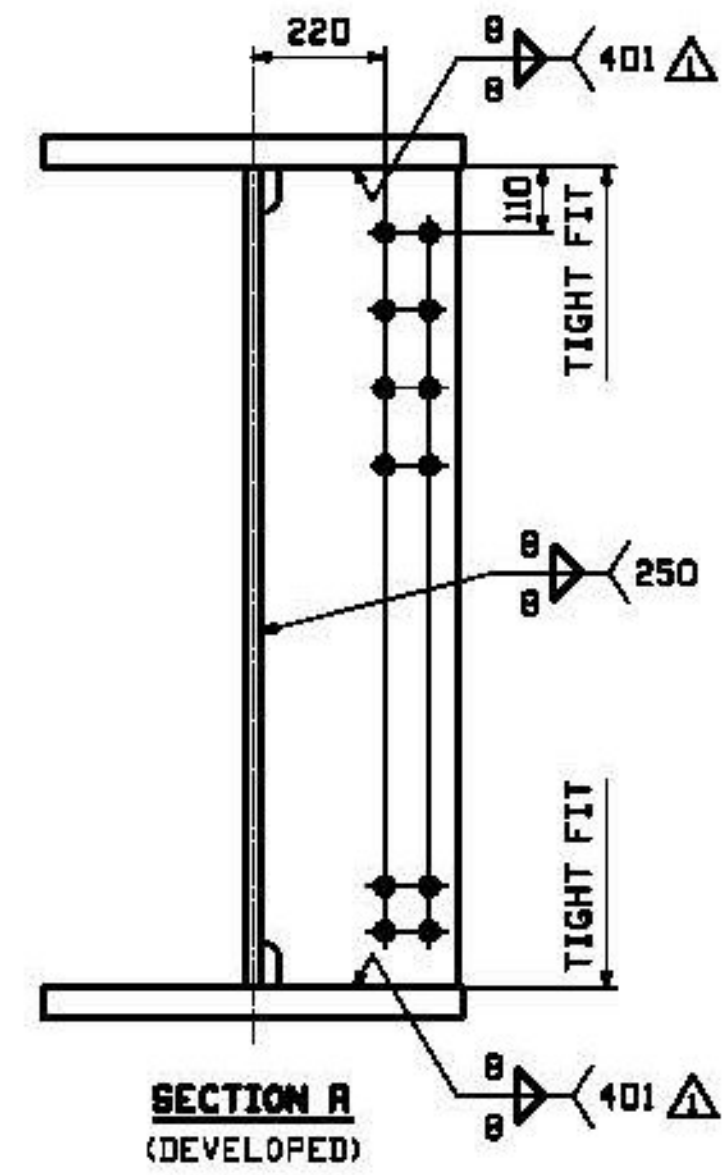
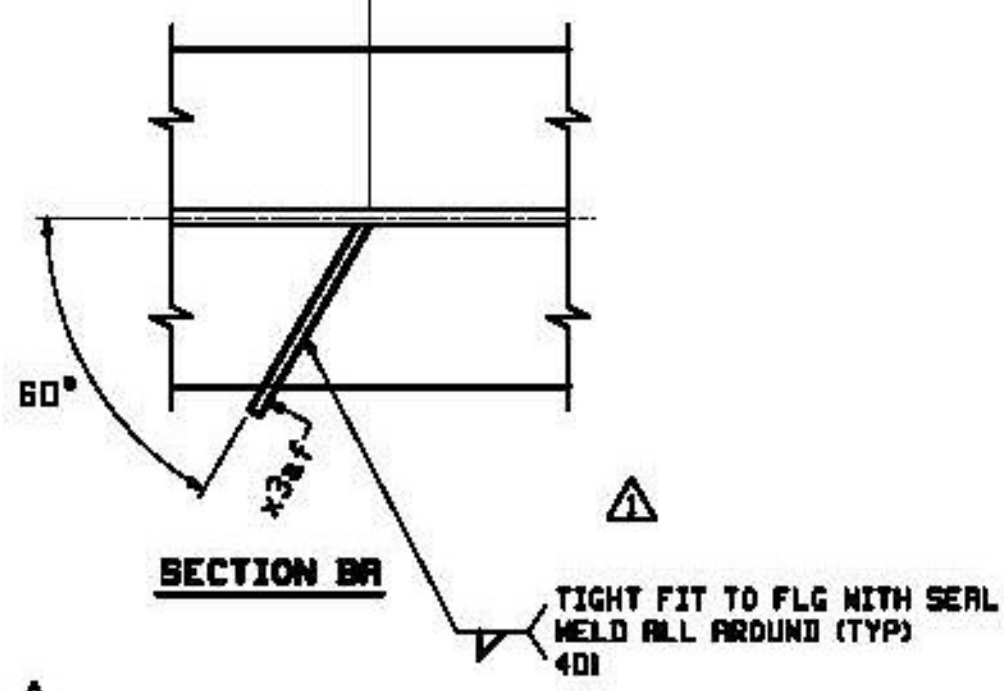
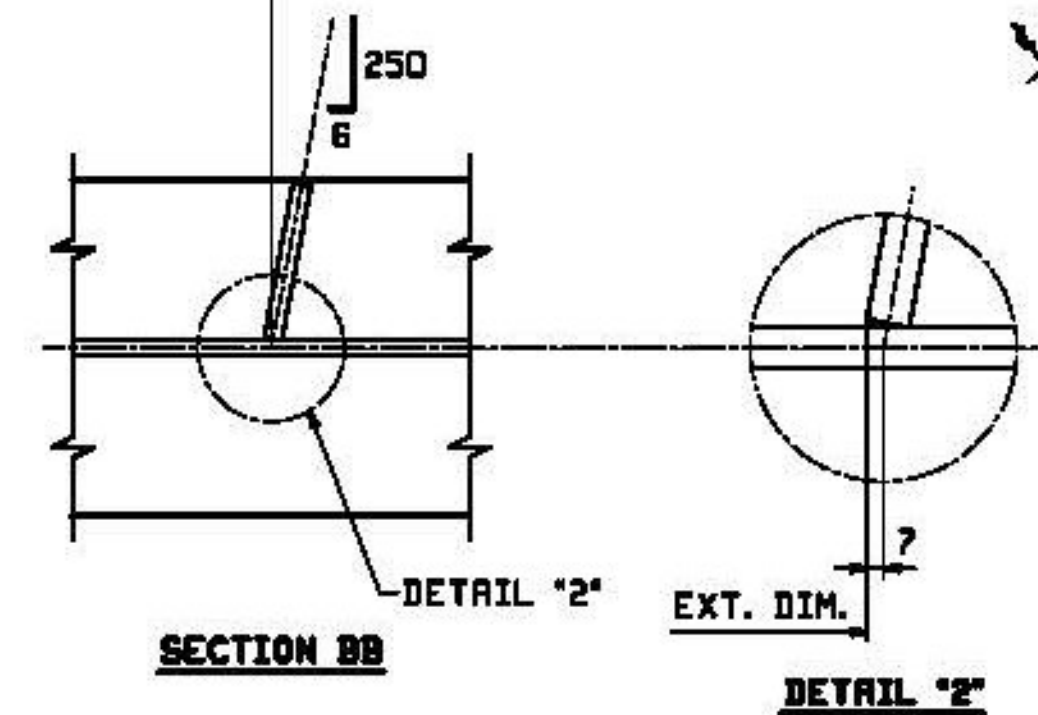


BILL OF MATERIAL				JOB NO.	DRAWING NO.	REV.
QTY	UNIT	DESCRIPTION	REMARKS	921	251	
1	U	25L55	DELTA LEG			2073 kg
1	G	25L1N	DELTA LEG			2073 kg
2	U	2 wa	PL 25x1645	19	340	1920 kg
2	G	2 ta	PL 50x700	11	605	1920 kg
2	E	2 bw	PL 50x700	19	311	1920 kg
5	R	5 x3h	PL 50x340	0	800	107 kg
5	H	2 x3m	PL 13x330	1	598	54 kg
5	J	2 x3m	PL 13x330	1	374	49 kg
5	K	2 x3p	PL 13x330	1	150	28 kg
5	R	2 x3af	PL 6x100	0	440	5 kg
2	Z	36BFI	BEARING ASSEMBLY			2130 kg

Vermont Agency of Transportation
RECEIVED
 CK'D BY D.E.B. OK'D BY D.E.B.
 March 19, 2013
 RESUBMIT No Approved
 BY T. Bohl DATE 03/28/2013

ONE - DELTA LEG - 25L55 } ALIKE EXCEPT AS NOTED
 ONE - DELTA LEG - 25L1N }
 FOR FIELD SPLICE DETAILS SEE DRAWING X2.
 FOR GIRDER STANDARD DETAILS SEE DRAWING X3 & X5.
 FOR CAMBER & FLANGE DIAGRAMS SEE DRAWING C5.
 FOR GENERAL NOTES SEE DRAWING GNI.
 T2 DENOTES MATERIAL SUBJECT TO CHARPY V-NOTCH TESTING.



Reviewed
 Rejected
 Furnish As Corrected
 Revise and Resubmit

This review is only for general conformance with the design concept and the information given in the Construction Documents. Corrections or comments made on the shop drawings during the review do not relieve the Contractor from compliance with the requirements of the Plans and Specifications. Review of a specific item shall not include review of an assembly of which an item is a component. The Contractor is responsible for dimensions to be confirmed and corrected at the job site; information that pertains solely to the fabrication process or to the means, methods, techniques, sequences and procedures of construction; coordination of the Work with that of other trades and performing all Work in a safe and satisfactory manner.

Date: March 19, 2013
 By: D. Kull

McFarland Johnson

WORK THIS SHEET WITH SHEET 35

REV.	DATE	REMARKS	DWR	CHK	APVL	SHOP
3/15		F.S. DESIGN REV	CRK	PCP		
12/18		APPROVAL COMMENTS	EEO	PCP		

MATERIAL: SURFACE PREP. & PAINT: HOLES: SHOP BOLTS:
 M270M-345W U.N. AS NOTED 15 16# NONE

DESCRIPTION: GIRDER DETAIL - 25L55 & 25L1N

CASCO BAY STEEL STRUCTURES, INC.
 1 WALLACE AVE. PHONE (207) 780-6722
 SOUTH PORTLAND, ME 04106 FAX. (207) 780-6726

STRUCTURE: VT 100 OVER LAHOILLE RIVER
 MORRISTOWN, VT LAHOILLE COUNTY
 STP F 029-1 (2) C/1

LOCATION: MORRISTOWN, VT JOB NO. DWG NO.
 PROJ NO. STP F 029-112C/1 521 25
 CUSTOMER: MINTERSET, INC. REV.