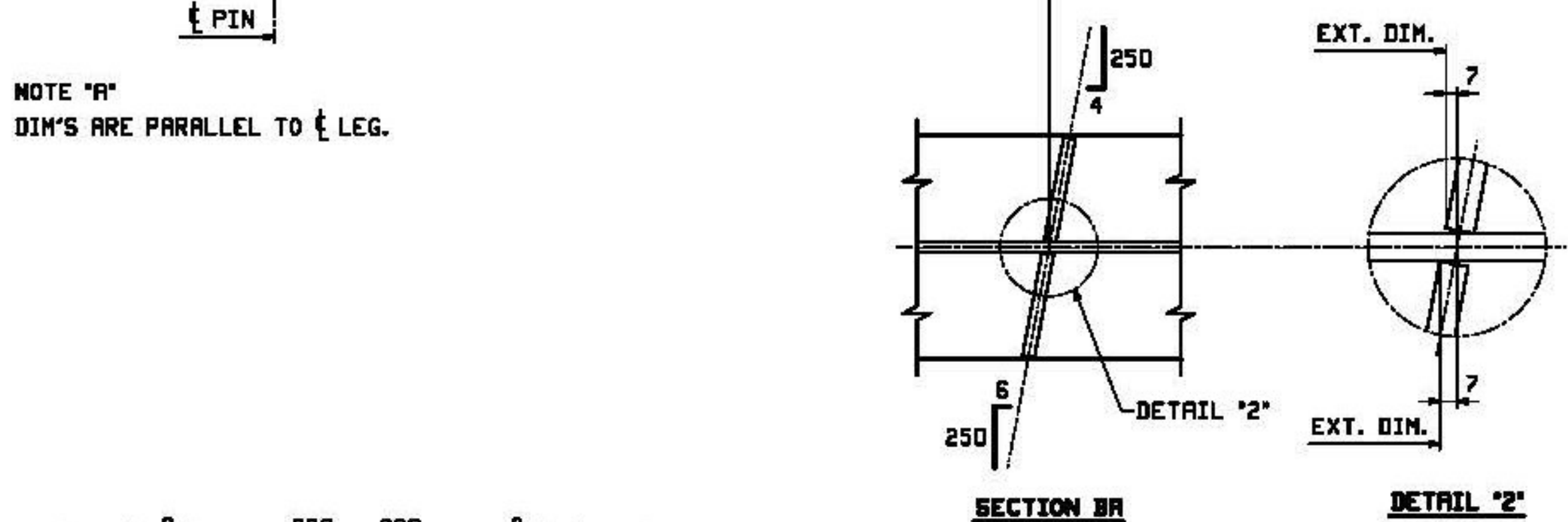
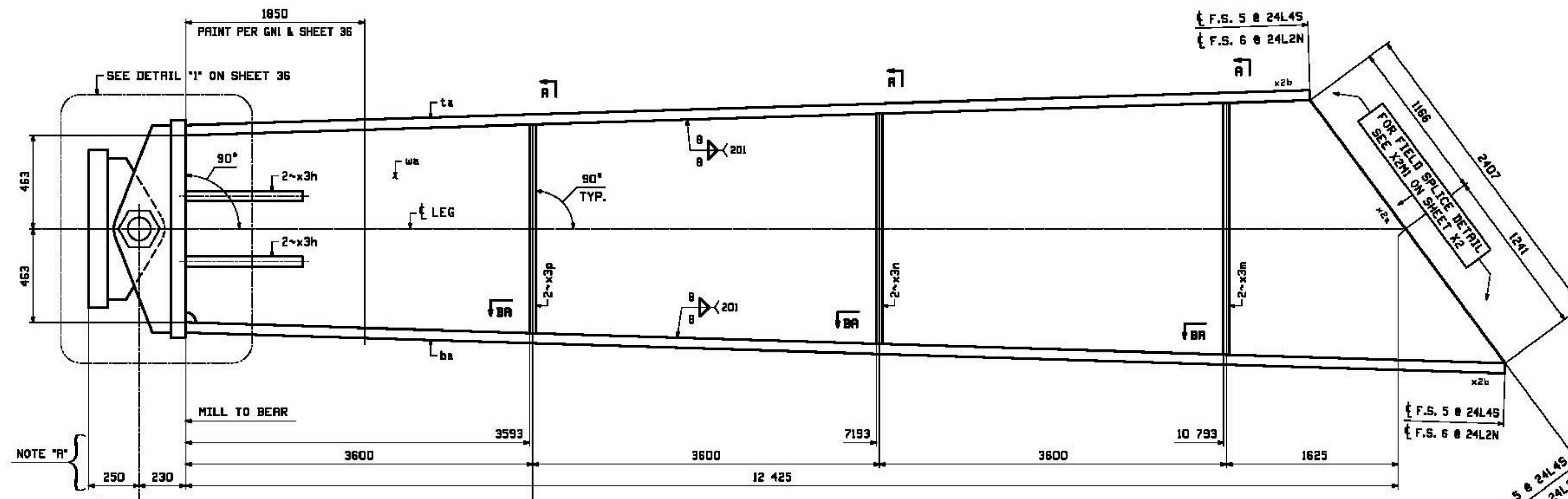


BILL OF MATERIAL				JOB NO.	DRAWING NO.	REV.	
LINE	MARK	QTY	MATERIAL	LENGTH	REMARKS	MT	PROCUREMENT NOTES
	24L4S	1	DELTA LEG			4010 kg	
	24L2N	1	DELTA LEG			4010 kg	
1	U	2	PL 25x1645	19 340	MIE	3500 kg	
2	G	2	PL 50x700	11 605	MIE	3190 kg	
2	E	2	PL 50x700	19 311	MIE	3627 kg	
5	R	8	PL 50x340	0 800	MIE	107 kg	
5	H	4	PL 13x330	1 598		54 kg	
5	J	4	PL 13x330	1 374		49 kg	
5	K	4	PL 13x330	1 150		38 kg	
		2	368F1			2190 kg	



ONE - DELTA LEG - 24L4S } ALIKE EXCEPT AS NOTED  
ONE - DELTA LEG - 24L2N }

FOR FIELD SPICE DETAILS SEE DRAWING X2.  
FOR GIRDER STANDARD DETAILS SEE DRAWING X3 & X5.  
FOR CAMBER & FLANGE DIAGRAMS SEE DRAWING C5.  
FOR GENERAL NOTES SEE DRAWING GNL.  
T2 DENOTES MATERIAL SUBJECT TO CHARPY V-NOTCH TESTING.

Vermont Agency of Transportation  
**RECEIVED**  
CK'D BY D.E.B. OK'D BY D.E.B.  
March 19, 2013  
RESUBMIT No Approved  
BY T. Bohl DATE 03/28/2013

Reviewed  Furnish As Corrected  
 Rejected  Revise and Resubmit

This review is only for general conformance with the design concept and the information given in the Construction Documents. Corrections or comments made on the shop drawings during the review do not relieve the Contractor from compliance with the requirements of the Plans and Specifications. Review of a specific item shall not include review of an assembly of which an item is a component. The Contractor is responsible for dimensions to be confirmed and corrected at the job site, information that pertains solely to the fabrication process or to the means, methods, techniques, sequences and procedures of construction; coordination of the Work with that of other trades and performing all Work in a safe and satisfactory manner.

Date: March 19, 2013  
By: D. Kull

**McFarland Johnson**

WORK THIS SHEET WITH SHEET 35

REV.	DATE	REMARKS	DWR	CHK	APVL	SHOP
3/15		F.S. DESIGN REV	CRK	PCP		
12/18		APPROVAL COMMENTS	EEO	PCP		

MATERIAL: SURFACE PREP. & PAINT: HOLES: SHOP BOLTS:  
M270M-345W U.N. AS NOTED 5 16# NONE

DESCRIPTION: GIRDER DETAIL - 24L4S & 24L2N

CASCO BAY STEEL STRUCTURES, INC.  
1 WALLACE AVE. PHONE (207) 780-6722  
SOUTH PORTLAND, ME 04106 FAX. (207) 780-6726

STRUCTURE: VT 100 OVER LAHOILLE RIVER  
MORRISTOWN, VT LAHOILLE COUNTY  
STP F 029-1 (2) C/1

LOCATION: MORRISTOWN, VT JOB NO. DWG NO.  
PROJ NO. STP F 029-1(2)C/1 521 24  
CUSTOMER: MINTERSET, INC. REV.