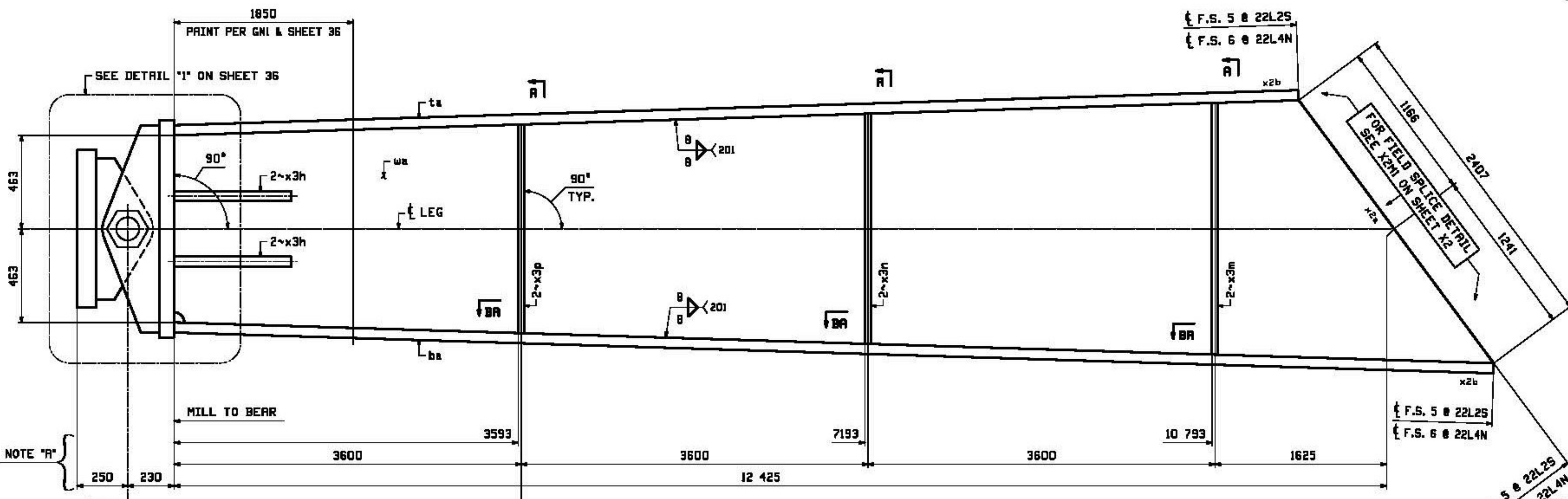
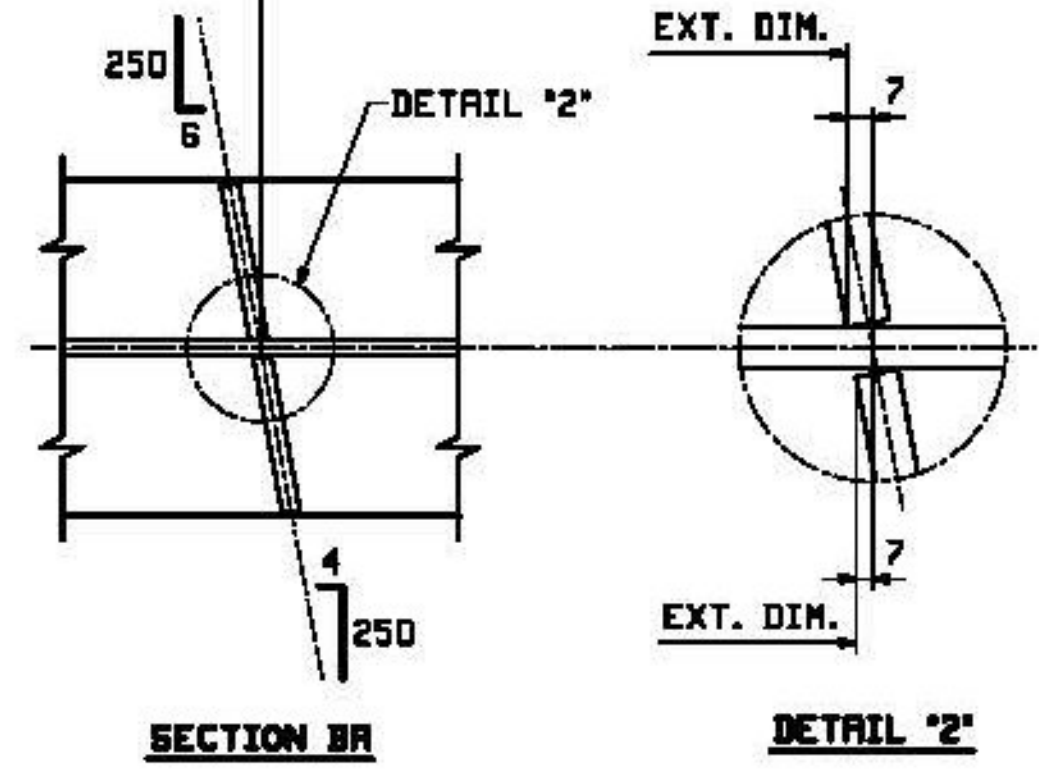


BILL OF MATERIAL				JOB NO.	DRAWING NO.	REV.
LINE	QTY	UNIT	MATERIAL	REMARKS	MT	PROCUREMENT NOTES
1	U	2	PL 25x1646	19 340	4010 kg	
2	G	2	PL 50x700	11 605	4010 kg	
3	E	2	PL 50x700	19 311	4010 kg	
4	R	8	PL 50x340	0 800	107 kg	
5	H	4	PL 13x330	1 598	54 kg	
6	J	4	PL 13x330	1 374	49 kg	
7	K	4	PL 13x330	1 150	38 kg	
8		2	368F1 BEARING RIBBON		2190 kg	

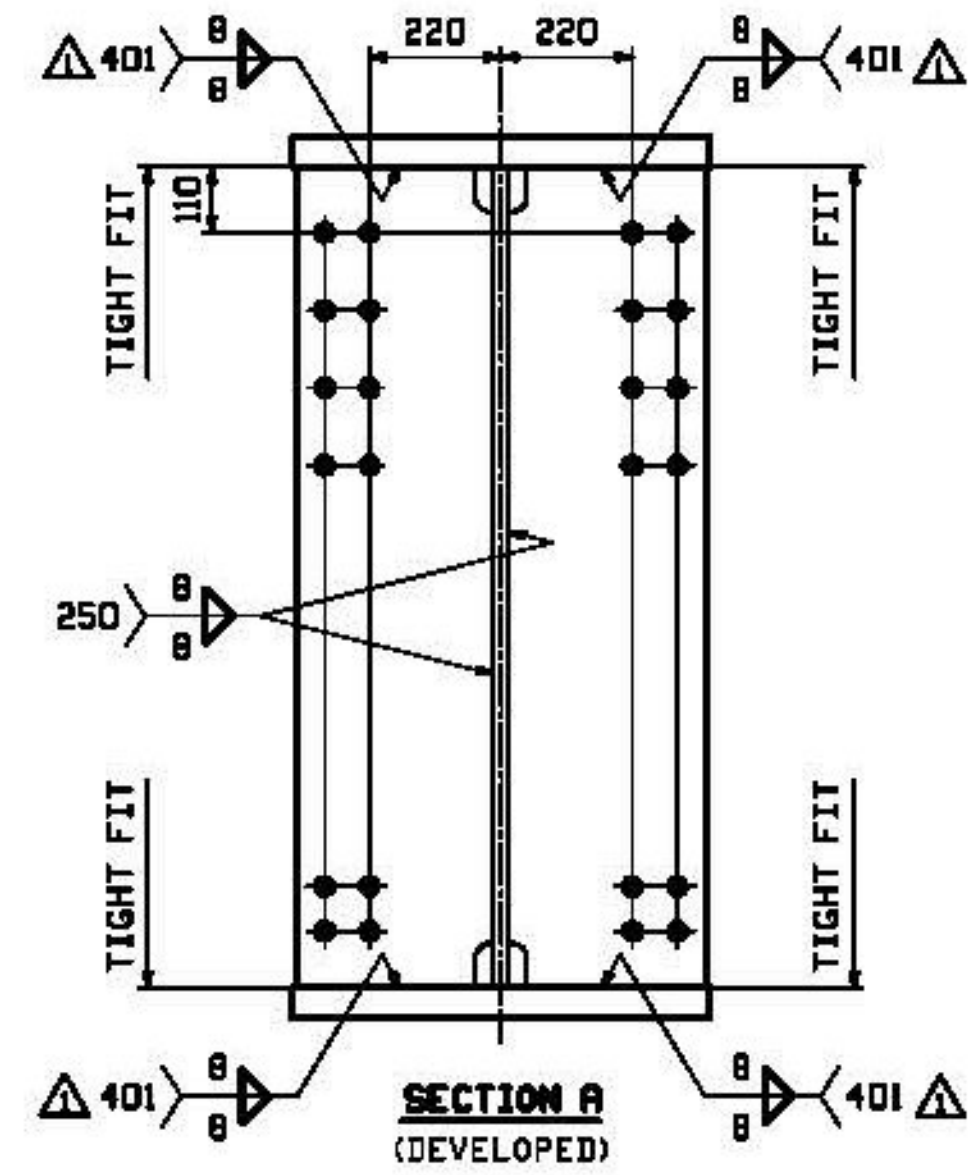


NOTE "A"
DIM'S ARE PARALLEL TO LEG.



ONE - DELTA LEG - 22L25 } ALIKE EXCEPT AS NOTED
 ONE - DELTA LEG - 22L4N }

FOR FIELD SPLICE DETAILS SEE DRAWING X2.
 FOR GIRDER STANDARD DETAILS SEE DRAWING X3 & X5.
 FOR CAMBER & FLANGE DIAGRAMS SEE DRAWING C5.
 FOR GENERAL NOTES SEE DRAWING GNL.
 T2 DENOTES MATERIAL SUBJECT TO CHARPY V-NOTCH TESTING.



Vermont Agency of Transportation
RECEIVED
 CK'D BY D.E.B. OK'D BY D.E.B.
 March 19, 2013
 RESUBMIT No Approved
 BY T. Bohl DATE 03/28/2013

Reviewed Furnish As Corrected
 Rejected Revise and Resubmit

This review is only for general conformance with the design concept and the information given in the Construction Documents. Corrections or comments made on the shop drawings during the review do not relieve the Contractor from compliance with the requirements of the Plans and Specifications. Review of a specific item shall not include review of an assembly of which an item is a component. The Contractor is responsible for dimensions to be confirmed and corrected at the job site; information that pertains solely to the fabrication process or to the means, methods, techniques, sequences and procedures of construction; coordination of the Work with that of other trades and performing all Work in a safe and satisfactory manner.

Date: March 19, 2013
 By: D. Kull

McFarland Johnson

WORK THIS SHEET WITH SHEET 35

REV.	DATE	REMARKS	DWN	CHK	APVL	SHOP
3/15		F.S. DESIGN REV	CRK	PCP		
12/18		APPROVAL COMMENTS	EEO	PCP		

MATERIAL: SURFACE PREP. & PRINT: HOLES: SHOP BOLTS:
 M270M-345W U.N. AS NOTED 5/16# NONE

DESCRIPTION: GIRDER DETAIL - 22L25 & 22L4N

CASCO BAY STEEL STRUCTURES, INC.
 1 WALLACE AVE. PHONE (207) 780-6722
 SOUTH PORTLAND, ME 04106 FAX. (207) 780-6726

STRUCTURE: VT 100 OVER LAHOILLE RIVER
 MORRISTOWN, VT LAHOILLE COUNTY
 STP F 029-1 (2) C/1

LOCATION: MORRISTOWN, VT JOB NO. DWG NO.
 PROJ NO. STP F 029-112C/1 521 22
 CUSTOMER: MINTERSET, INC. REV. 22