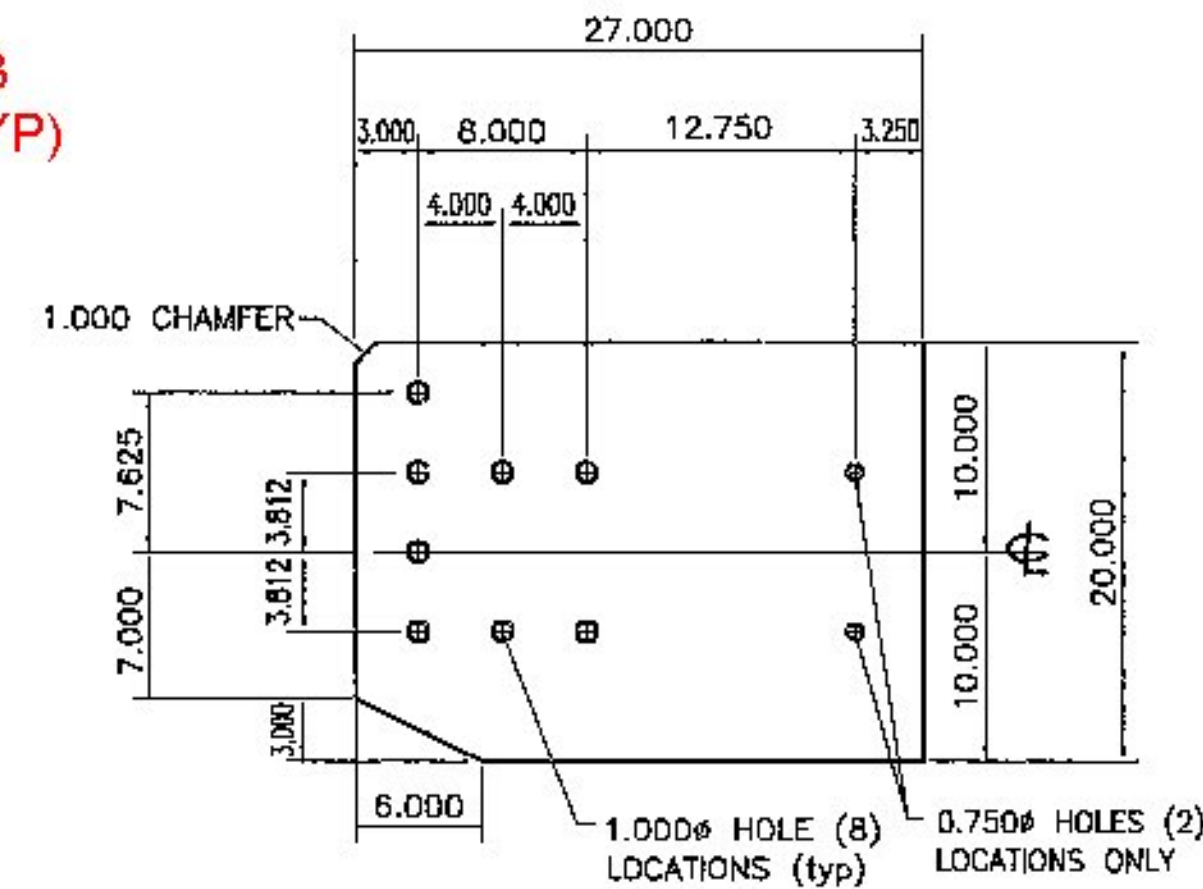
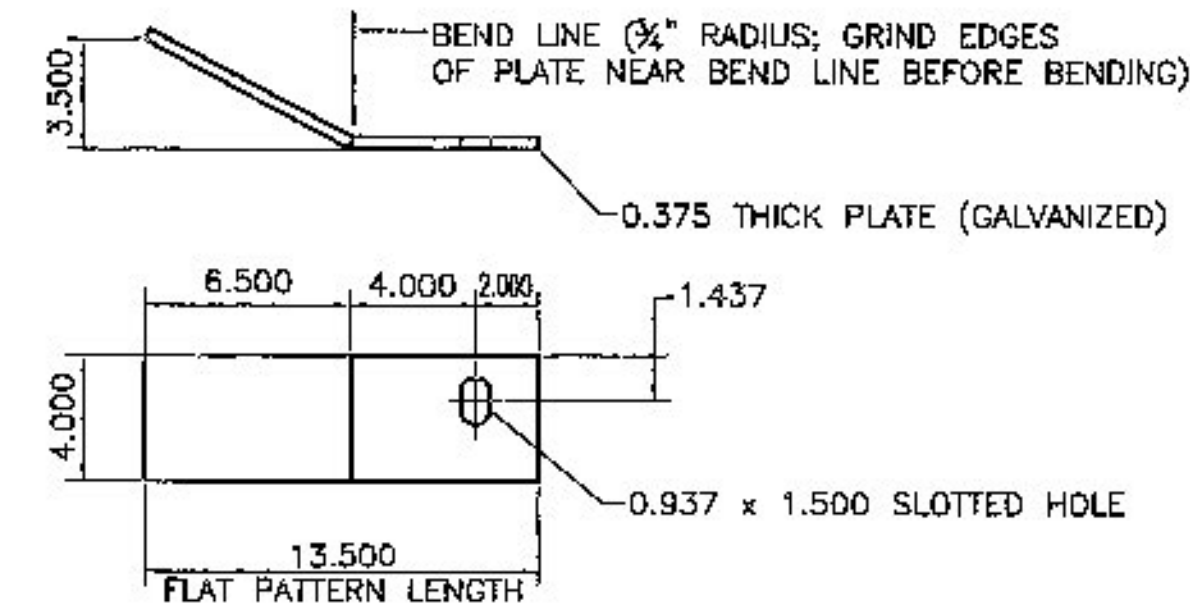


**TERMINAL CONNECTOR**  
10 GAUGE (AASHTO M180 B2)

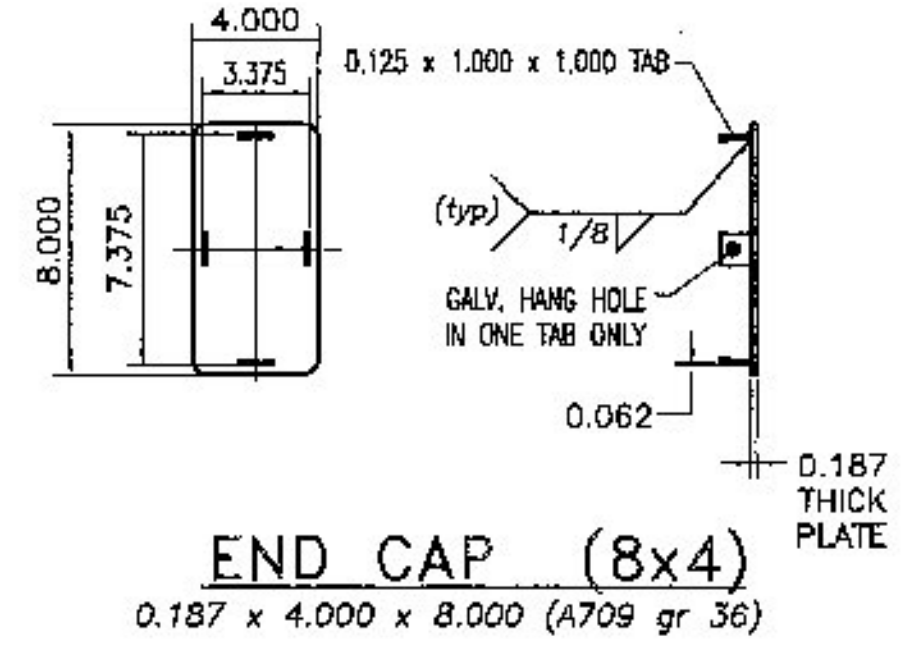
VTrans STD S-363  
29/32" x 1-1/2" (TYP)



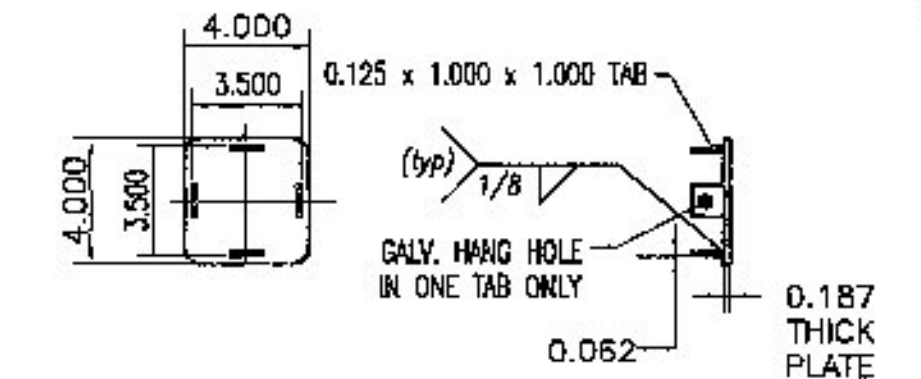
**CONNECTION PLATE**  
0.375 x 20.000 x 27.000 (A709 gr 36)



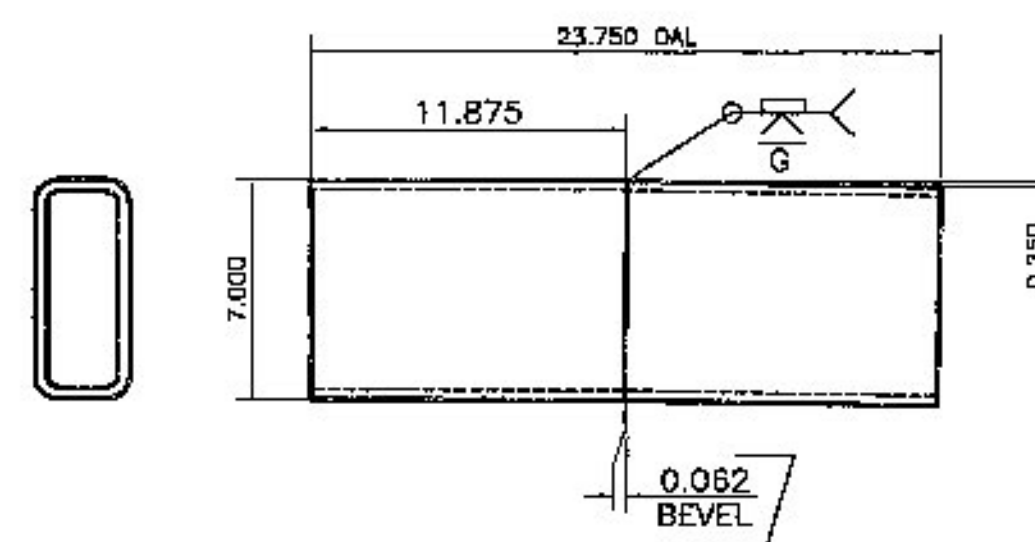
**DEFLECTOR PLATE**  
0.375 x 4.000 x 13.500 (A709 gr 36)  
RIGHT HAND APPROACH SHOWN - LEFT HAND BENT OPPOSITE



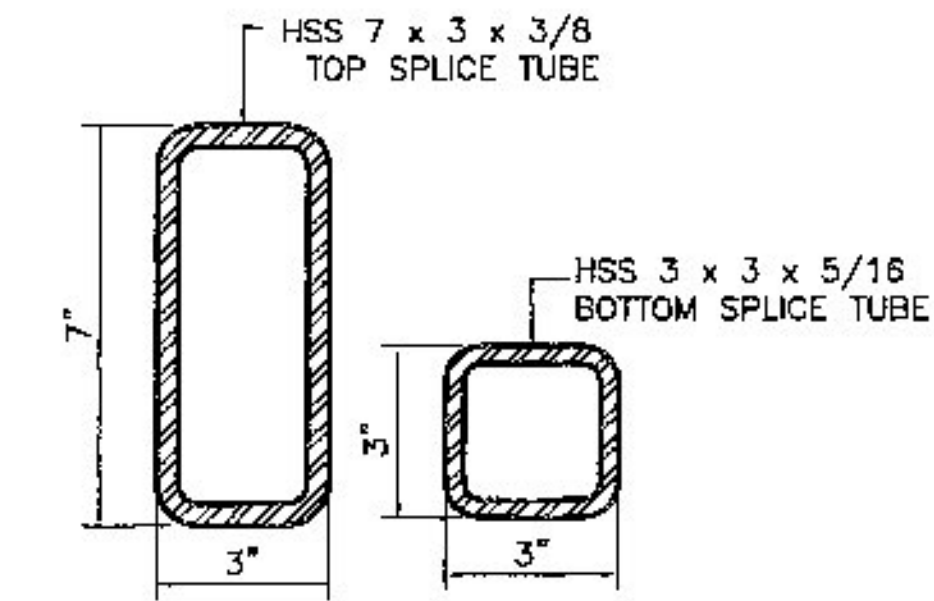
**END CAP (8x4)**  
0.187 x 4.000 x 8.000 (A709 gr 36)



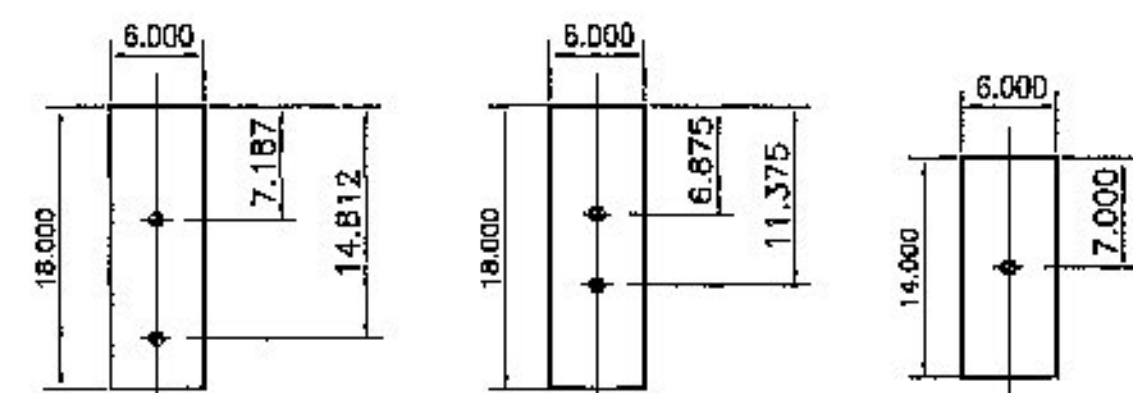
**END CAP (4x4)**  
0.187 x 4.000 x 4.000 (A709 gr 36)



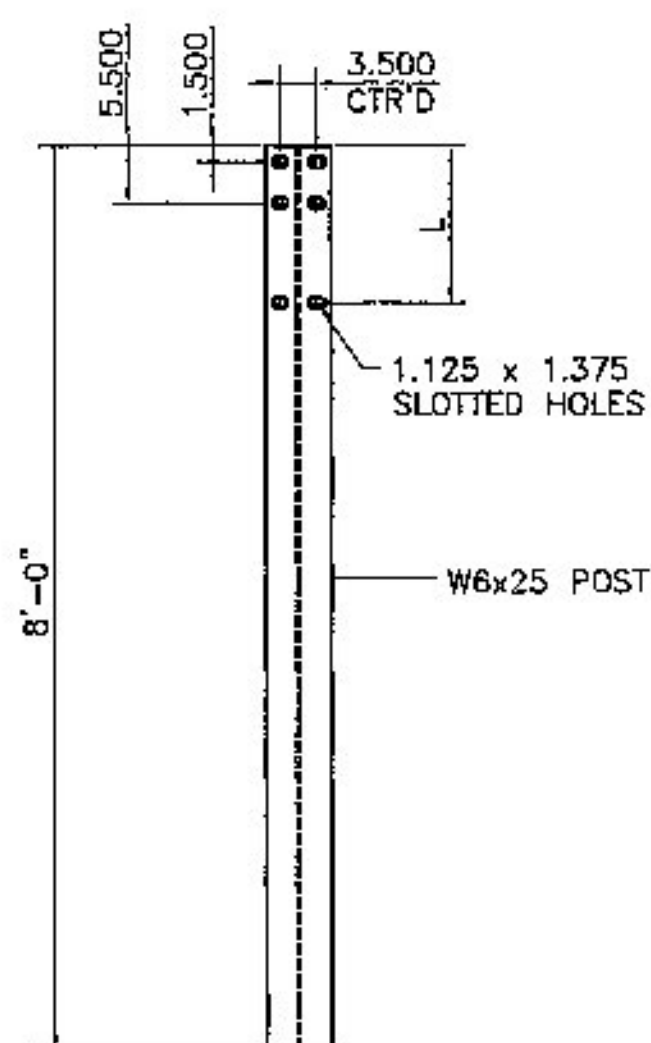
**ANGLED SPLICE DETAIL**  
HSS 7 x 3 x 3/8 - FOR UPPER RAIL SPLICE



**RAIL TUBE SPLICE SECTION**



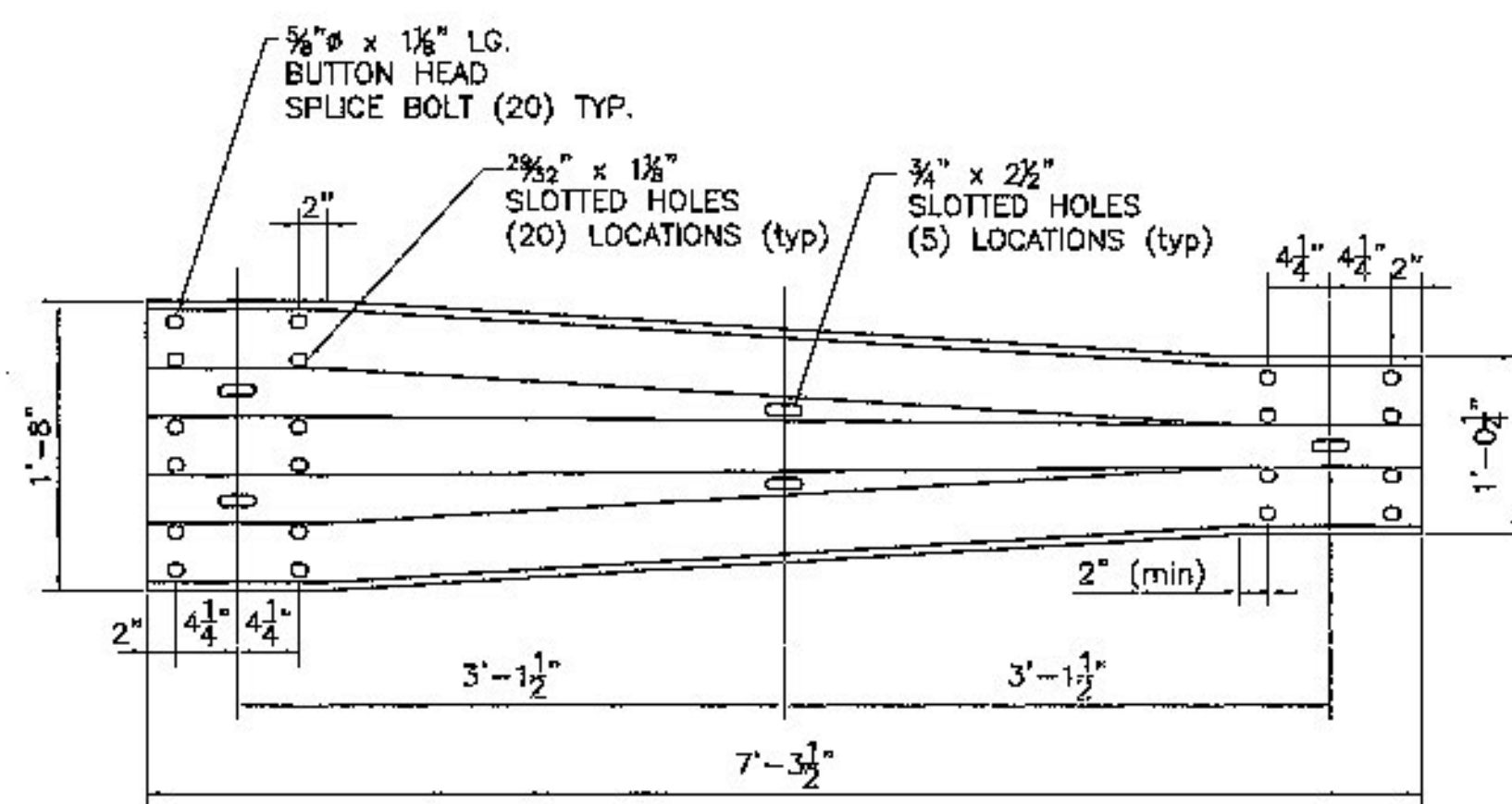
**WOOD BLOCK DETAILS**



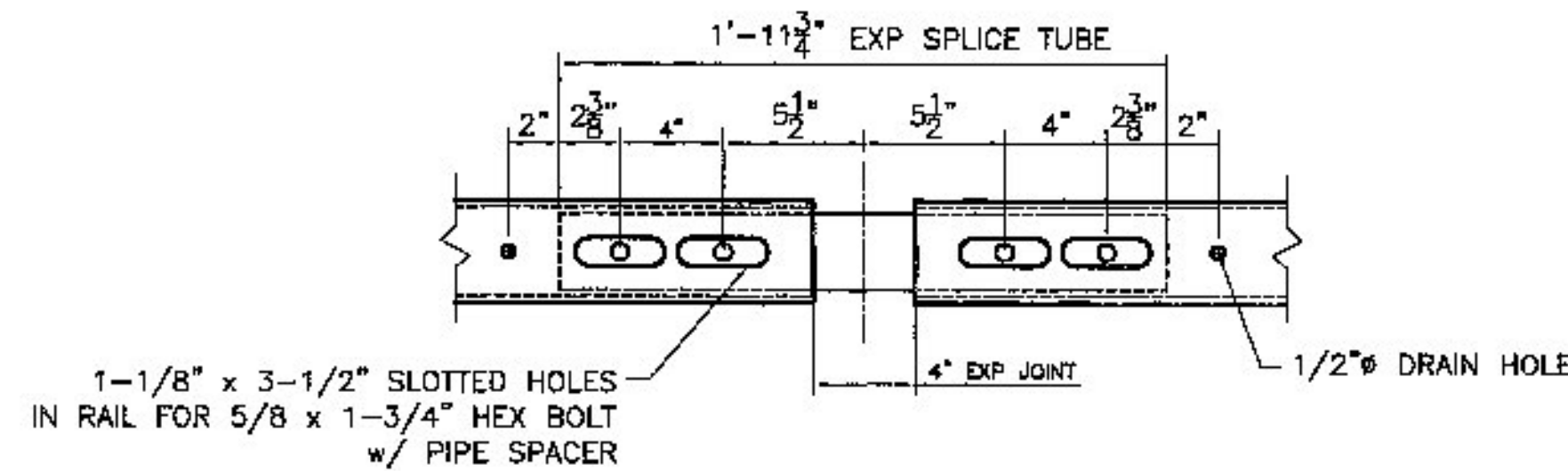
**STEEL POST**

**STEEL POST CHART**

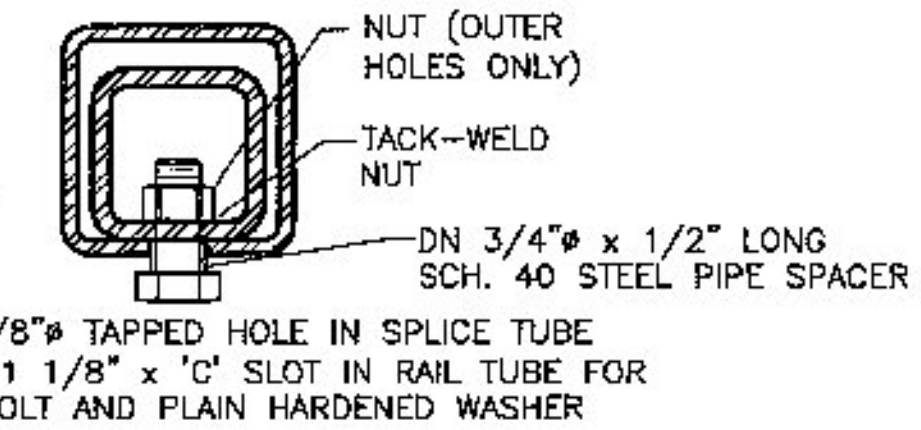
No.	L
#1	1'-3.250"
#2	1'-3.000"
#3	1'-2.687"
#4	1'-2.375"



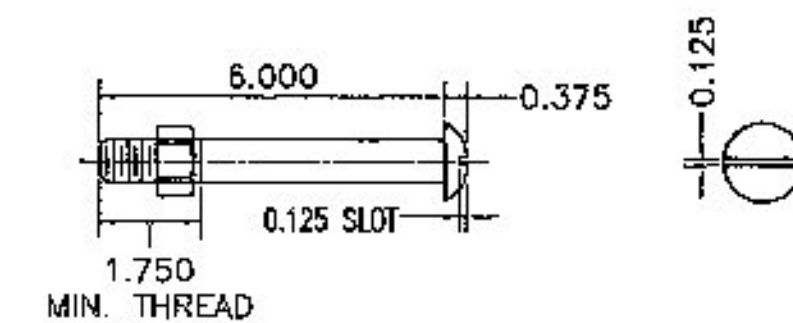
**THRIE TRANSITION PANEL**  
10 GAUGE (AASHTO M180 B2)



**EXPANSION SPLICE DETAIL**  
BOTTOM VIEW



**EXPANSION JOINT SECTION**



**3/4" DIA. A449 ROUND HEAD BOLT**

(WITH WASHER AND PREVAILING TORQUE TYPE LOCK NUT)  
ONLY FULL DIAMETER BODY BOLTS WILL BE ALLOWED.

Reviewed  Rejected   Furnish As Corrected  Revise and Resubmit

This review is only for general conformance with the design concept and the information given in the Construction Documents. Connections or comments made on the shop drawings during the review do not relieve the Contractor from compliance with the requirements of the Plans and Specifications. Review of a specific item shall not include review of an assembly of which an item is a component. The Contractor is responsible for dimensions to be confirmed and corrected at the job site; information that pertains solely to the fabrication process or to the means, methods, techniques, sequences and procedures of construction; coordination of the Work with that of other trades and performing all Work in a safe and satisfactory manner.

Date: August 21, 2013  
By: D. Kull

**McFarland Johnson**

**Vermont Agency of Transportation**  
**RECEIVED**  
CK'D BY D. Bonneau OK'D BY D. Bonneau  
August 9, 2013  
RESUBMIT No Approved AsNoted  
BY T. Bohl DATE 08/22/2013

**HIGHWAY SAFETY CORP**  
GLASTONBURY, CT  
860-633-8445

ITEM 621.72 GUARDRAIL APPROACH,  
GALVANIZED 2 RAIL BOX BEAM (S-3608)  
VT 100  
STP F 029-1(2)  
TOWN OF MORRISTOWN, LAMOILLE COUNTY VT

CERTIFIED FABRICATOR  
REC JOB NO. 1933  
SHEET NO. 2 of 2

VT REC  
DATE 04-18-13 SCALE NONE SIDE D