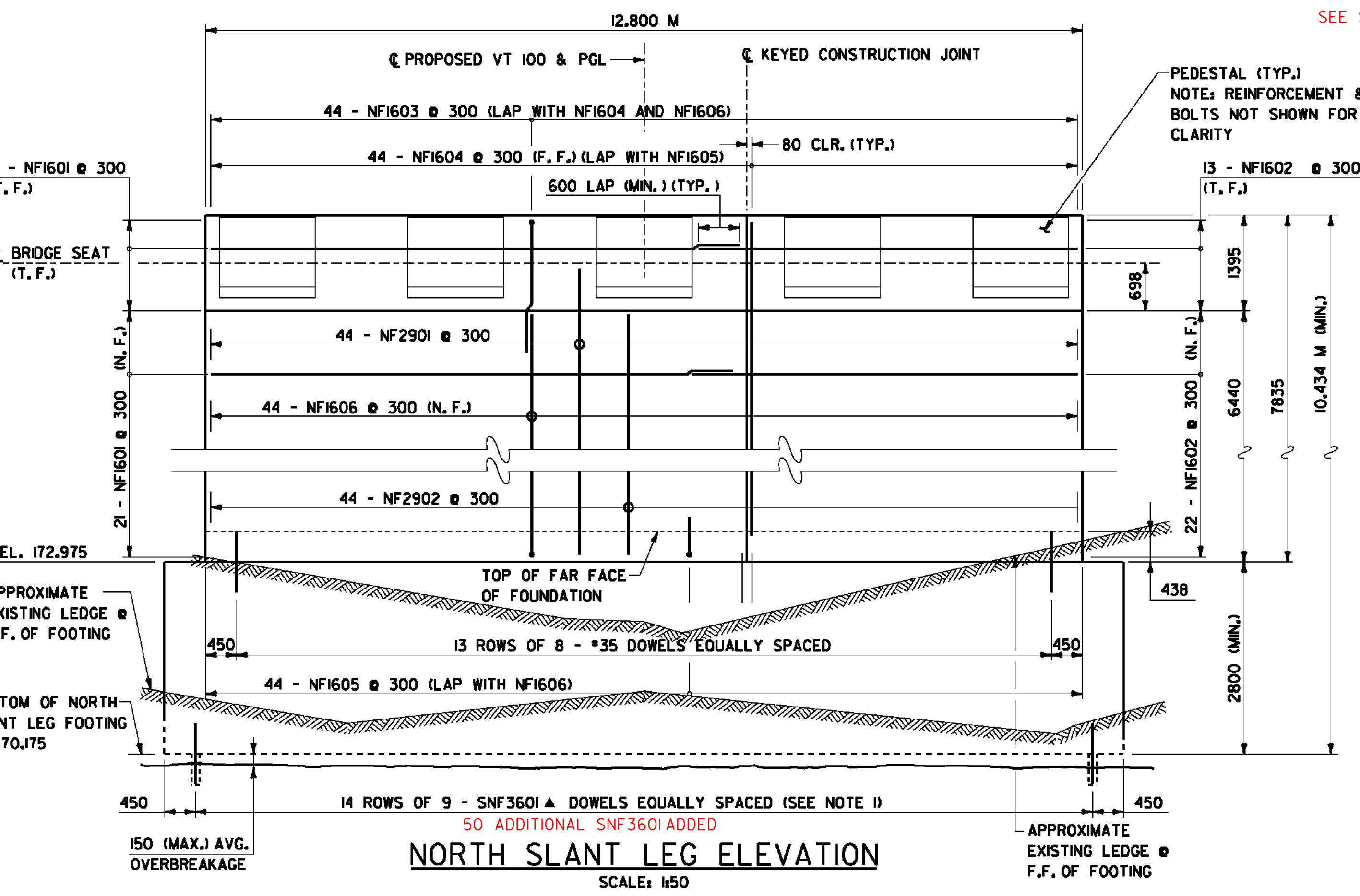
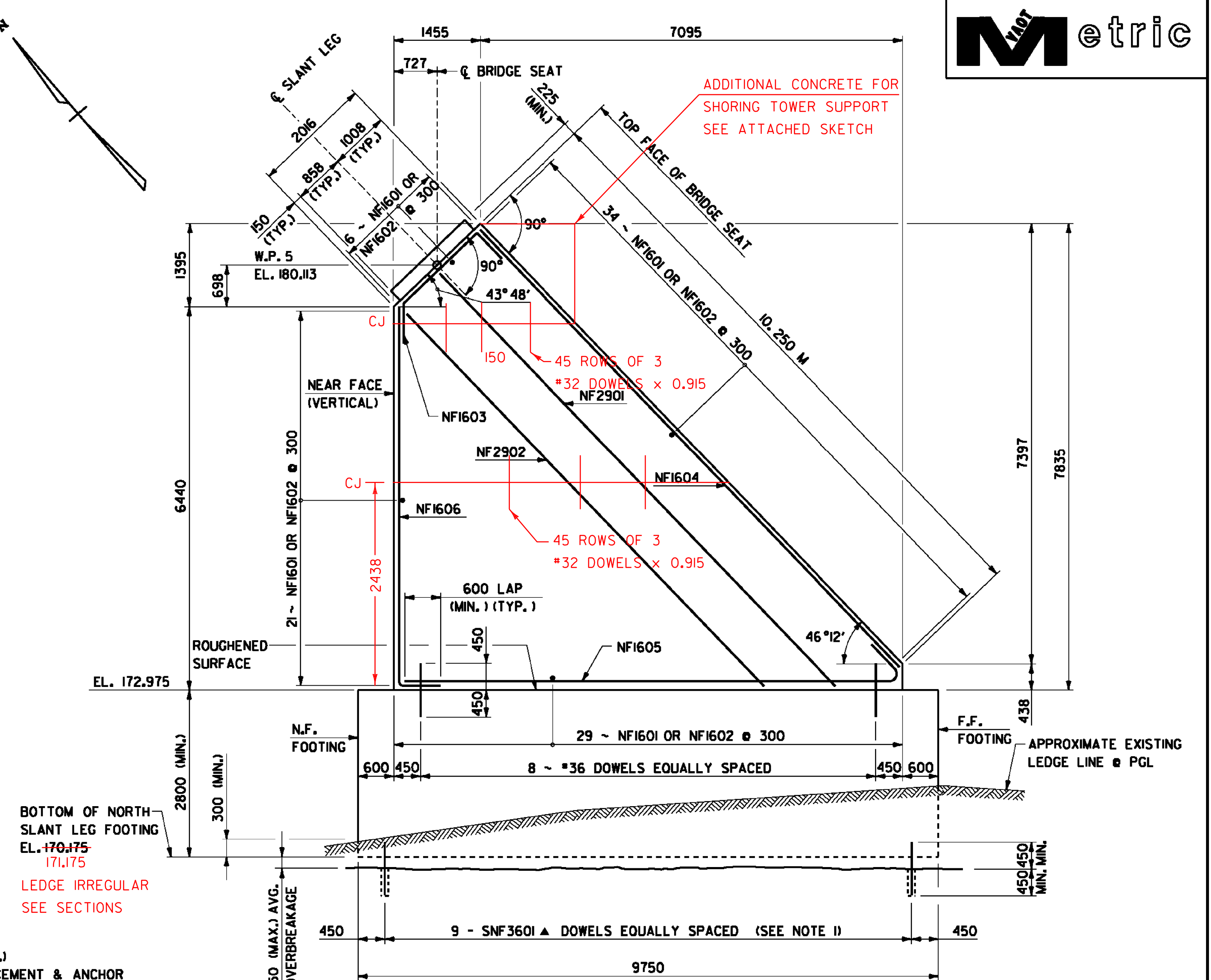


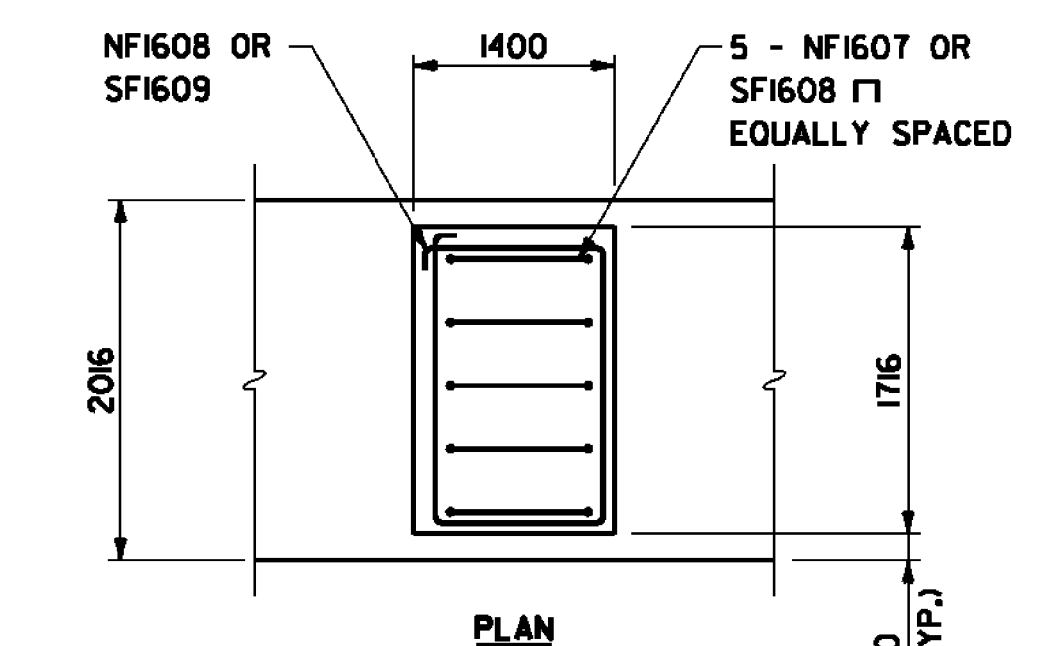
NORTH SLANT LEG PLAN
SCALE: 1:50



NORTH SLANT LEG ELEVATION
SCALE: 1:50



SECTION A-A
SCALE: 1:50



TYPICAL PEDESTAL REINFORCING
SCALE: 1:40
NOTE: ANCHOR BOLTS NOT SHOWN FOR CLARITY

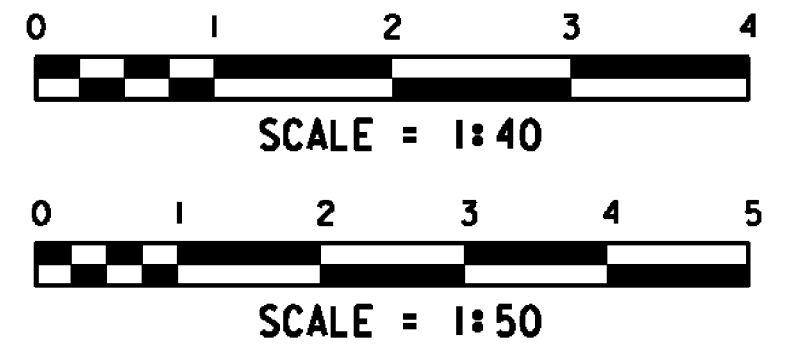
| WORKING POINTS | | |
|----------------|-------------|-------------|
| LOCATION | NORTHING | EASTING |
| W. P. 5 | 229044.5301 | 491582.7686 |

NOTE

I. DOWELS SET INTO LEDGE SHALL BE STAINLESS STEEL REINFORCING AND PAID AS ITEM 900.635 SPECIAL PROVISION (STAINLESS STEEL REINFORCING).

LEGEND

- T. F. = TOP FACE.
- N. F. = NEAR FACE
- F. F. = FAR FACE
- E. F. = EACH FACE
- ▲ = CUT TO FIT IN FIELD



NOTE: ALL DIMENSIONS IN MILLIMETERS (mm) EXCEPT WHERE NOTED.

| | |
|-----------------------------------|------------------------|
| PROJECT NAME: MORRISTOWN | PLOT DATE: 29-MAR-2012 |
| PROJECT NUMBER: STP F 029-1(2)C/1 | DRAWN BY: S. Merkwan |
| FILE NAME: z10b194anf.dgn | CHECKED BY: R. Joy |
| PROJECT LEADER: DMB | SHEET 93 OF 123 |
| DESIGNED BY: D. Kuli / S. Della | |
| NORTH SLANT LEG FOUNDATION | |