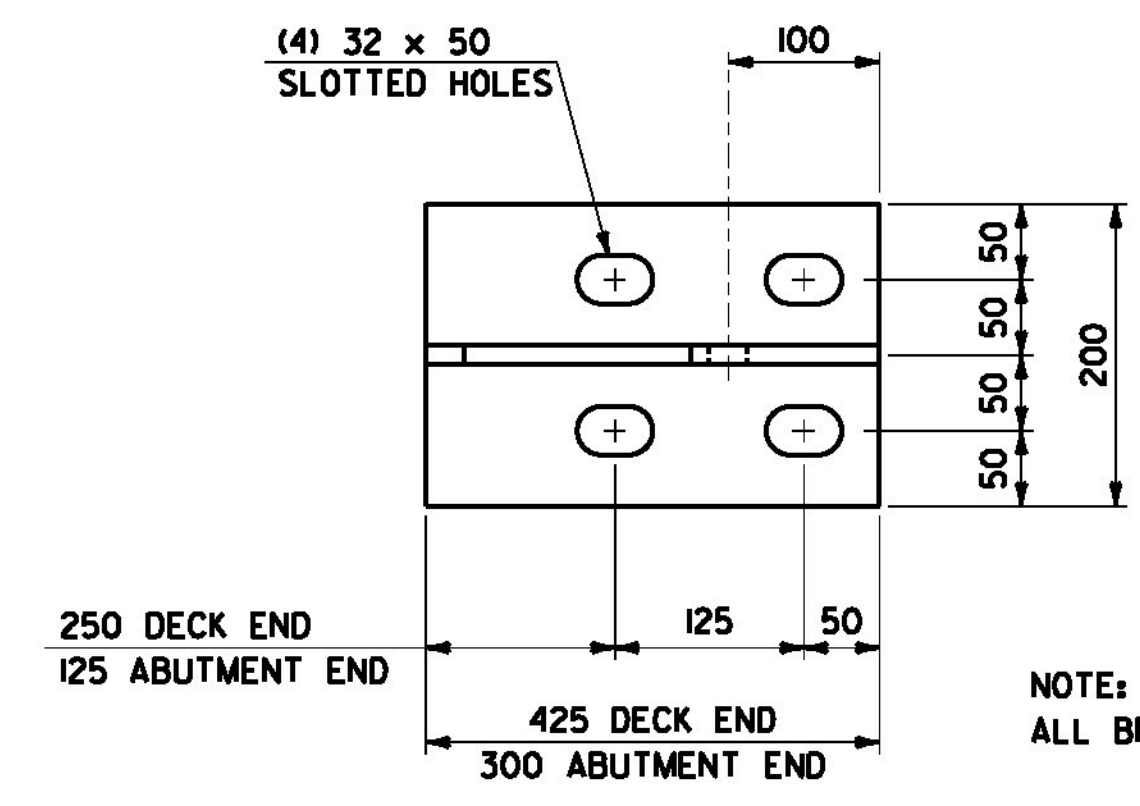


SECTION A-A (TYPICAL SECTION BETWEEN GIRDERS)

SCALE: 1:5
(ABUTMENT NO. 2 SHOWN, ABUTMENT NO. 1 SIMILAR)

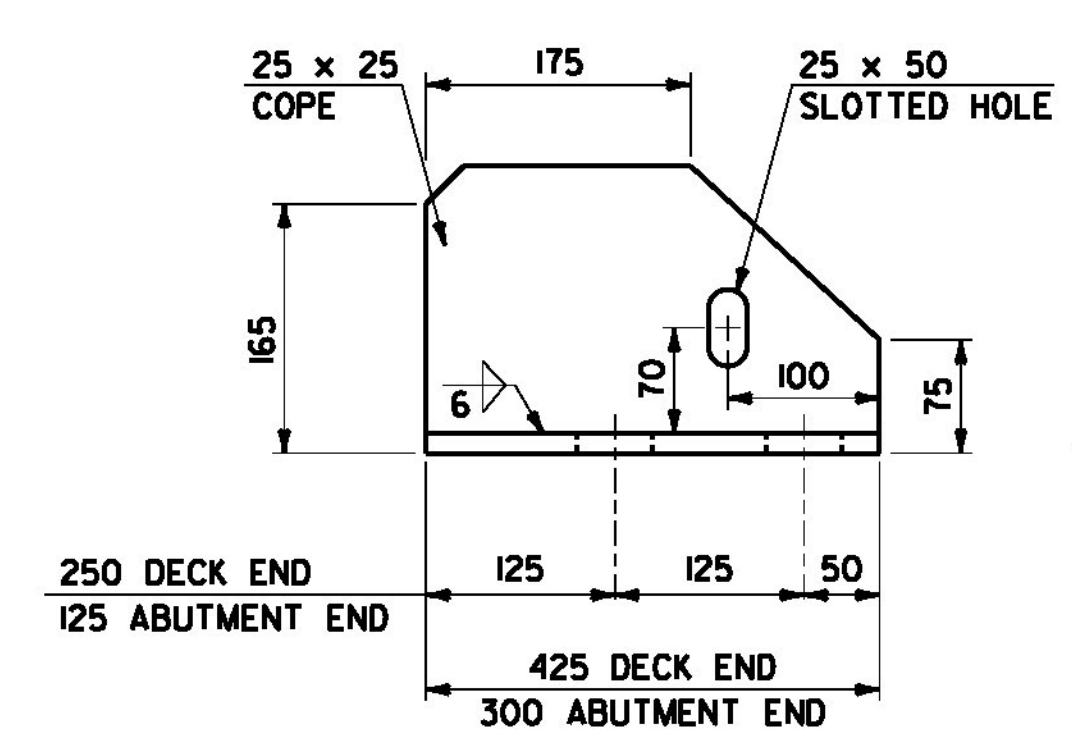
TEMPERATURE ADJUSTMENT TABLE

TEMP (°C)	DIM. "A" (mm)
-18	294
-9	286
-1	278
7	270
16	262
24	254
32	246
41	238



BRACKET PLAN

SCALE: 1:5



BRACKET ELEVATION

SCALE: 1:5

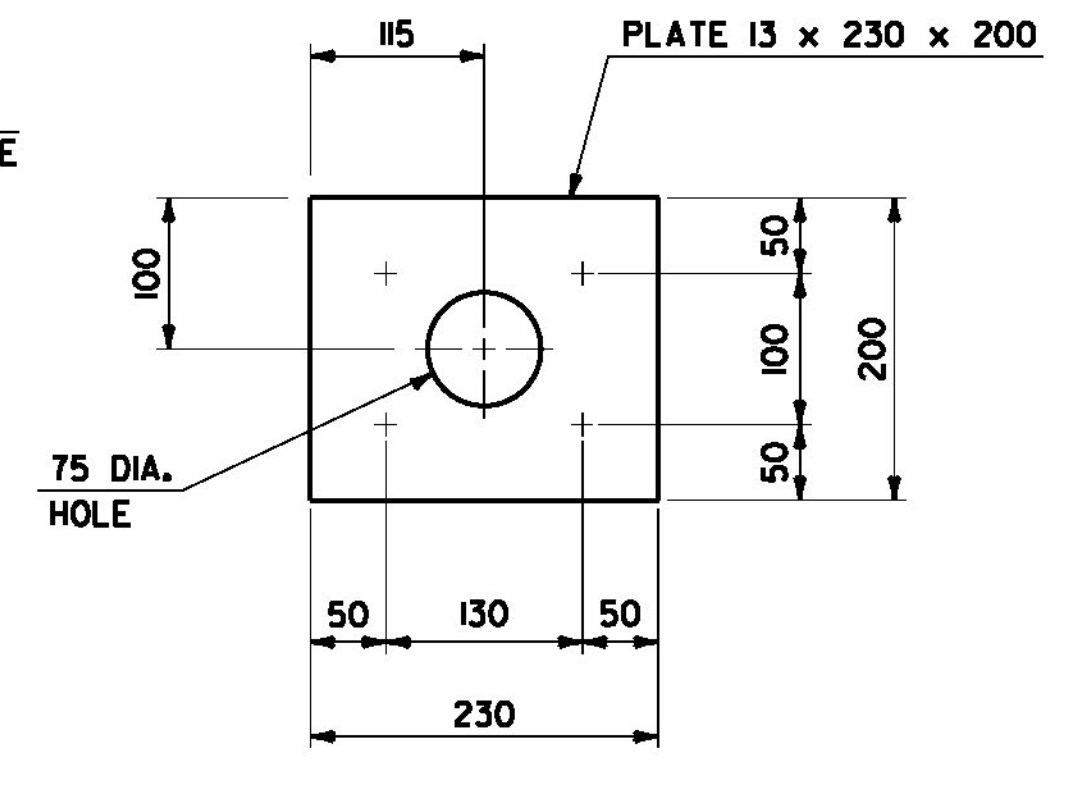
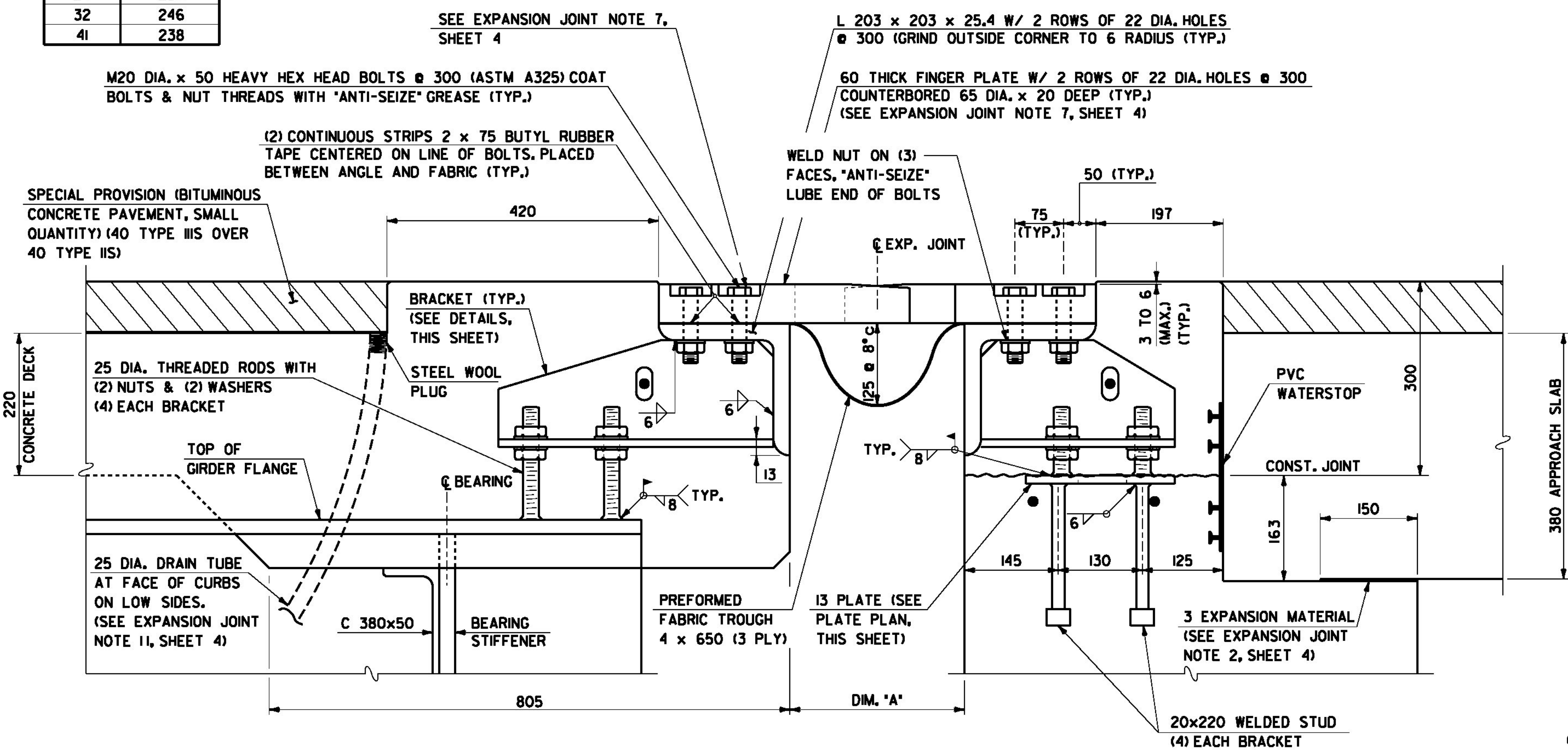


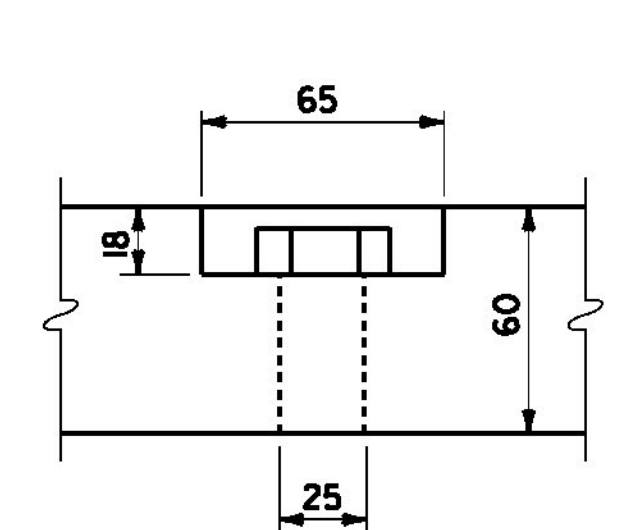
PLATE PLAN

SCALE: 1:5



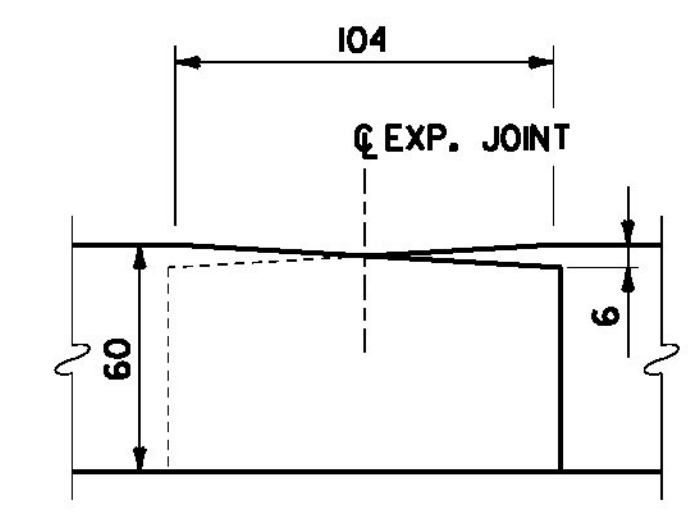
SECTION B-B (TYPICAL SECTION AT GIRDERS)

SCALE: 1:5
(ABUTMENT NO. 2 SHOWN, ABUTMENT NO. 1 SIMILAR)



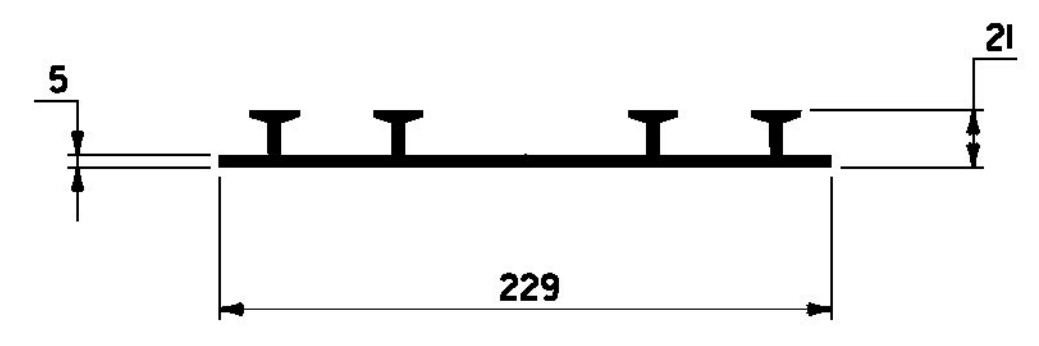
DETAIL A

SCALE: 1:2



DETAIL B

SCALE: 1:2

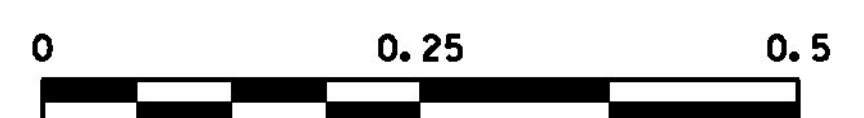


P.V.C. WATERSTOP FOR CONSTRUCTION JOINTS

NOT TO SCALE

NOTES

- FOR GENERAL NOTES AND EXPANSION JOINT NOTES, SEE SHEETS 3 AND 4.
- EXPANSION MATERIAL INCIDENTAL TO ITEM 50L34.



NOTE: ALL DIMENSIONS IN MILLIMETERS (mm) EXCEPT WHERE NOTED.

PROJECT NAME:	MORRISTOWN	PLOT DATE:	29-MAR-2012
PROJECT NUMBER:	STP F 029-1(2)C/1	DRAWN BY:	P. Dustin
FILE NAME:	z10b194a12.dgn	CHECKED BY:	R. Joy
PROJECT LEADER:	DMB	FINGER JOINT DETAILS - 2	SHEET 84 OF 123
DESIGNED BY:	S. Della		