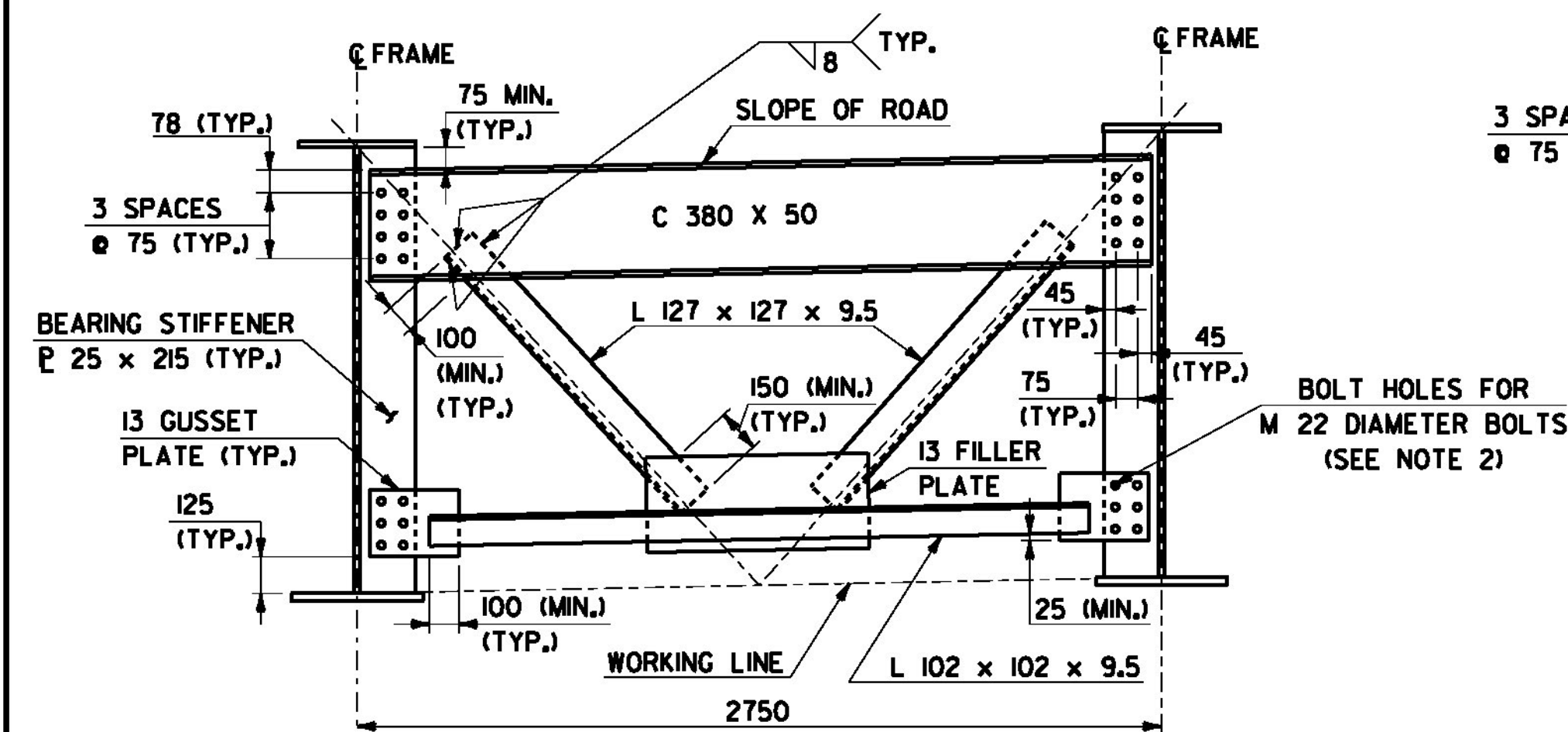
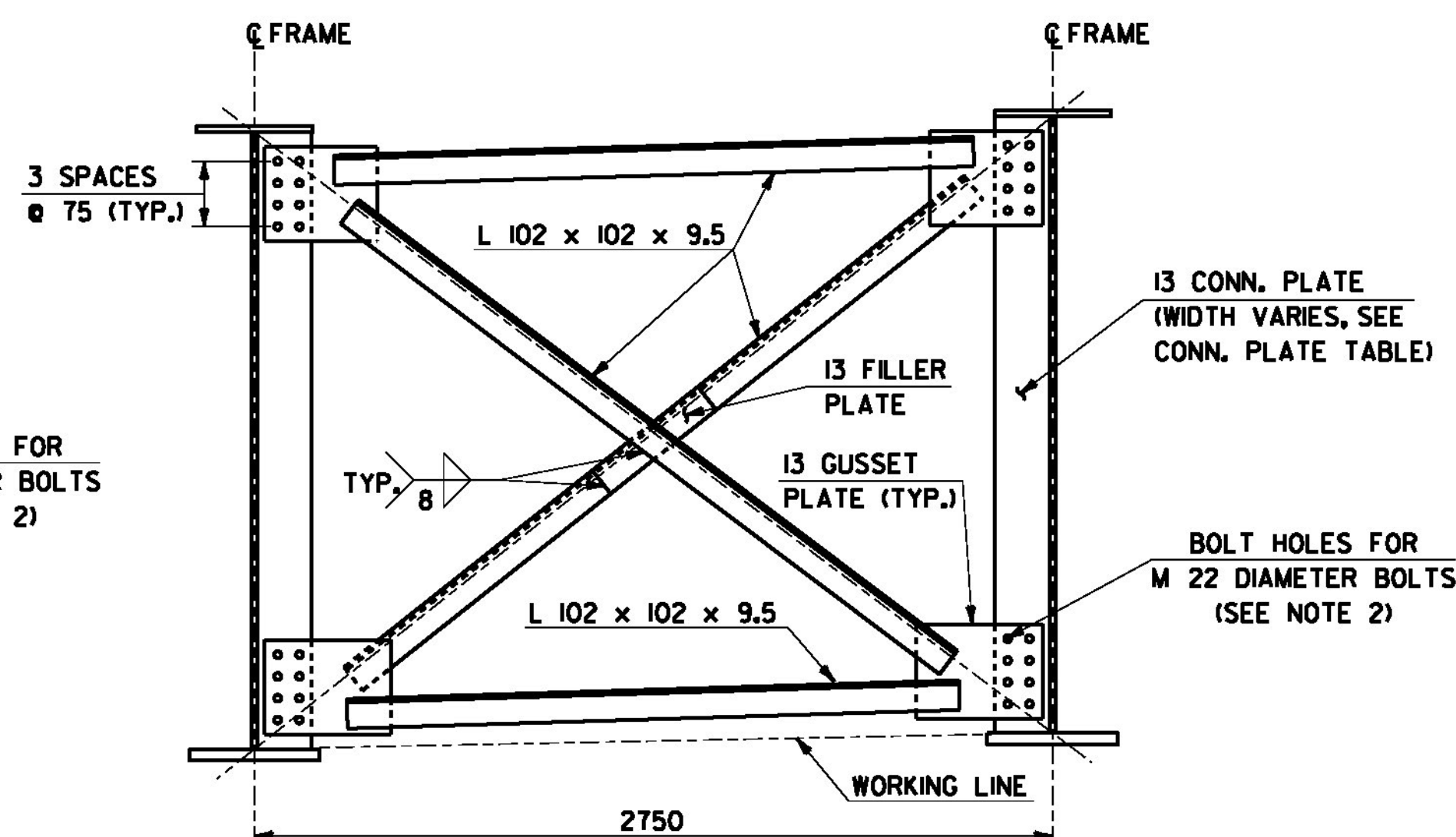


CONNECTION PLATE TABLE		
TOP FLANGE WIDTH	MIN. CONN. PLATE WIDTH	
450	215	
500	330	
700	240	



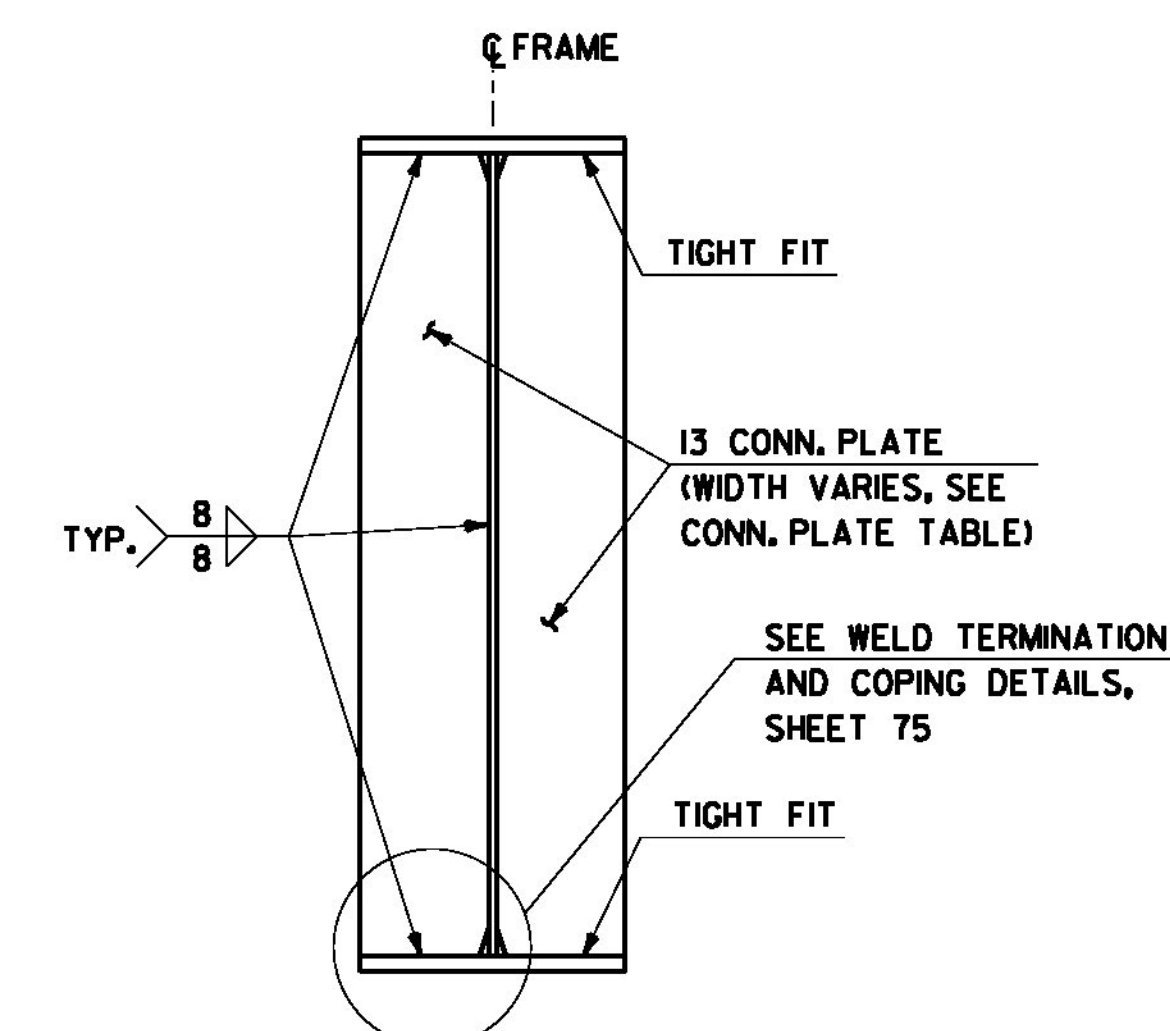
DIAPHRAGM TYPE 1

SCALE: 1:20



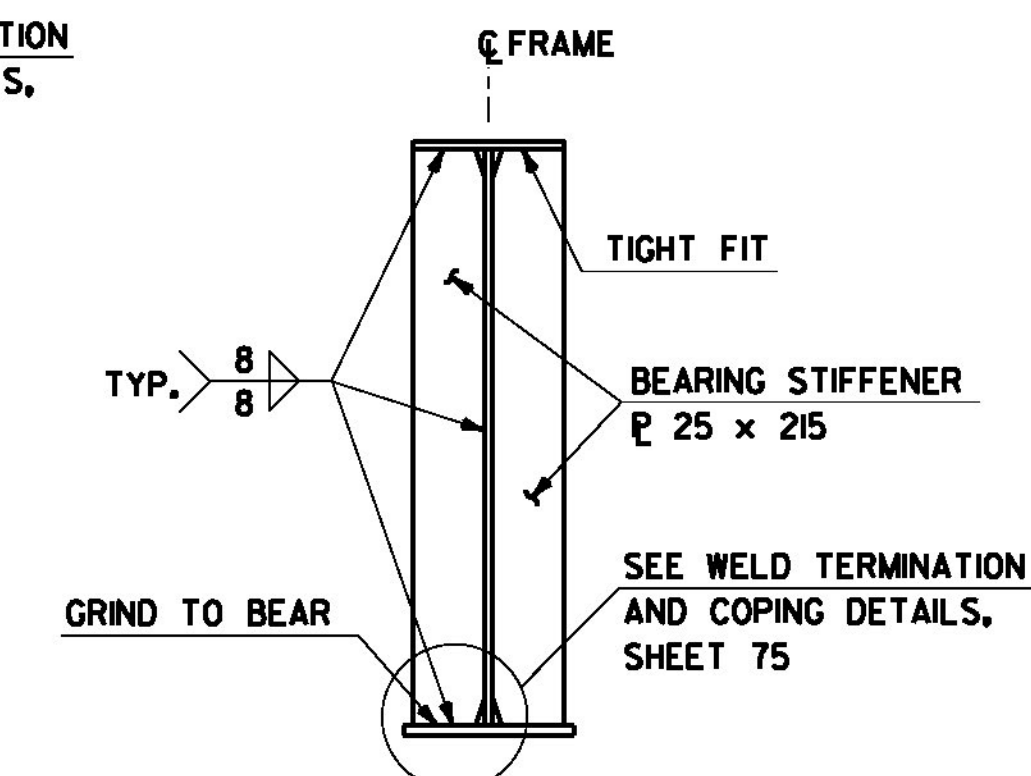
DIAPHRAGM TYPE 5

SCALE: 1:20
(FOR GUSSET PLATE DETAILS NOT SHOWN, SEE DETAIL C)



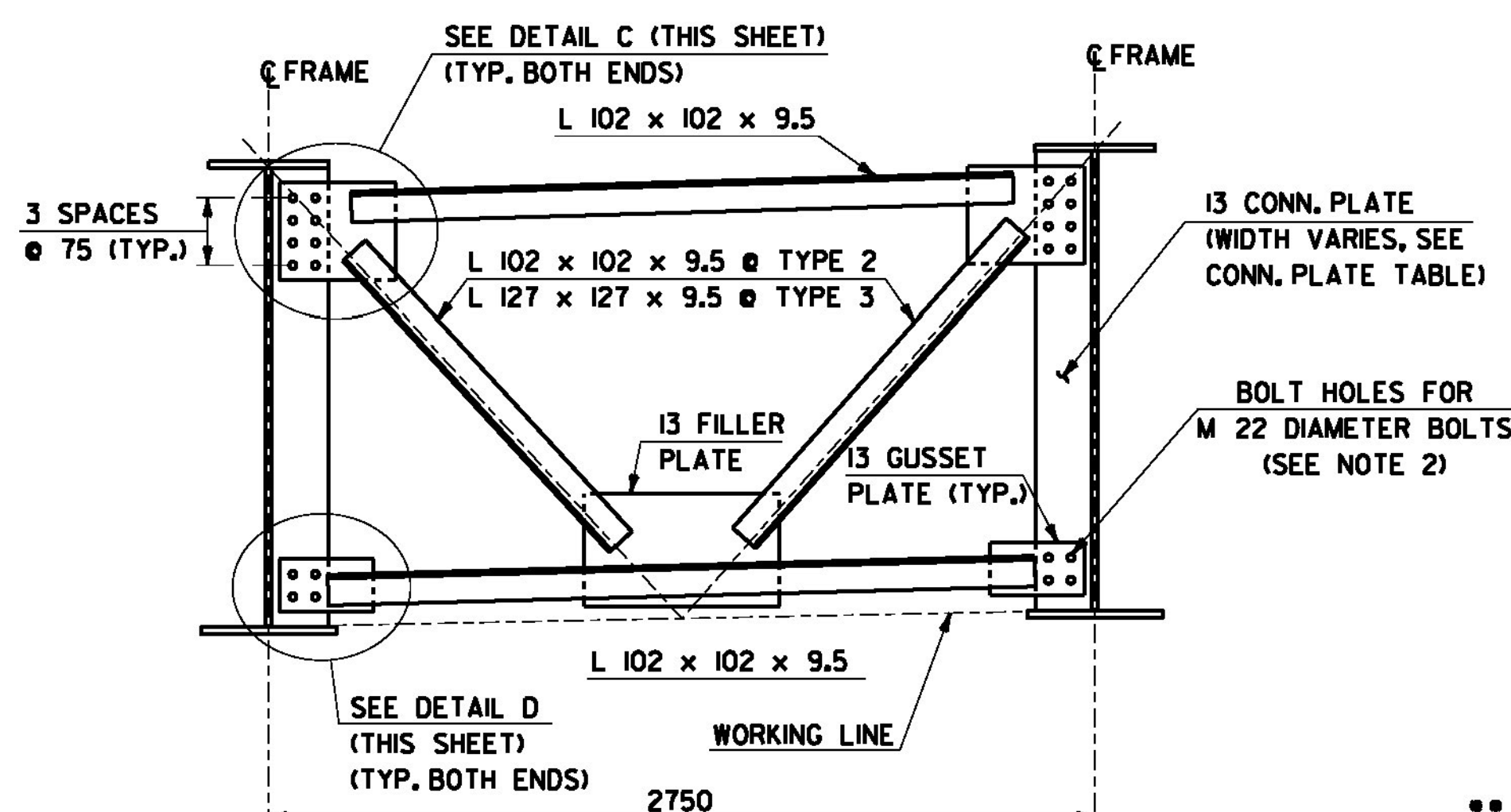
INTERMEDIATE CONNECTION PLATE DETAIL

SCALE: 1:20



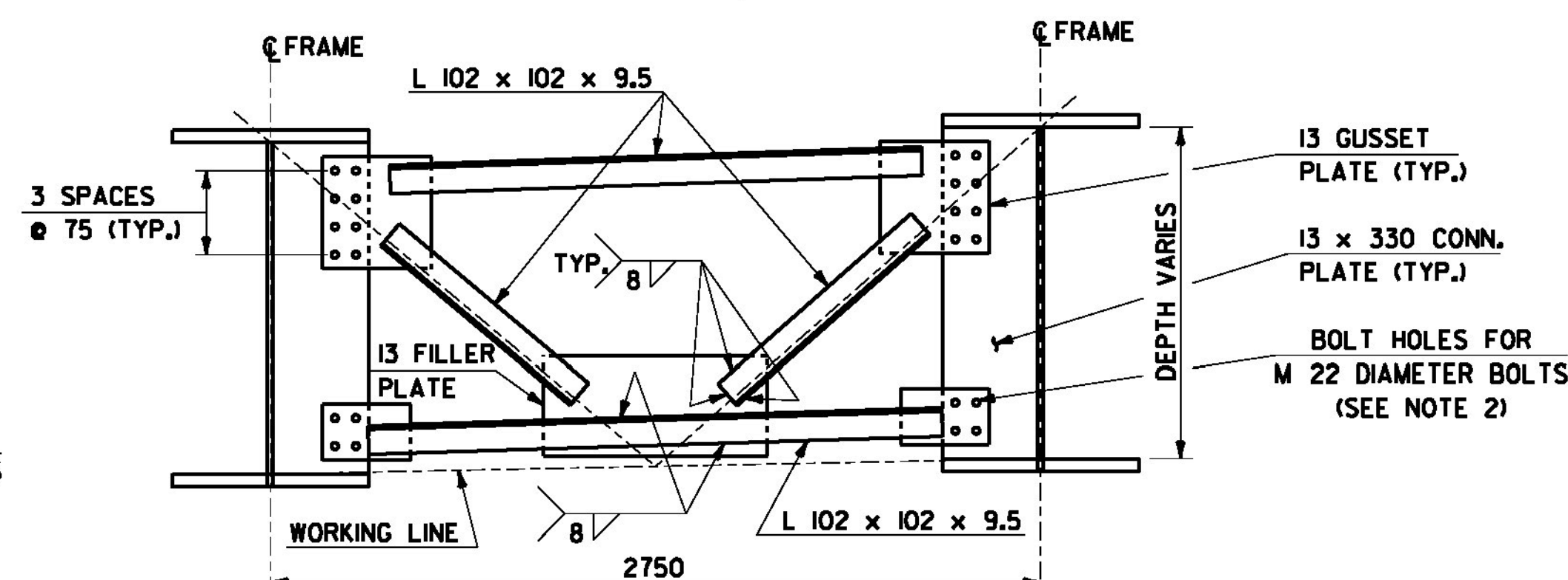
ABUTMENT BEARING STIFFENER DETAIL

SCALE: 1:20



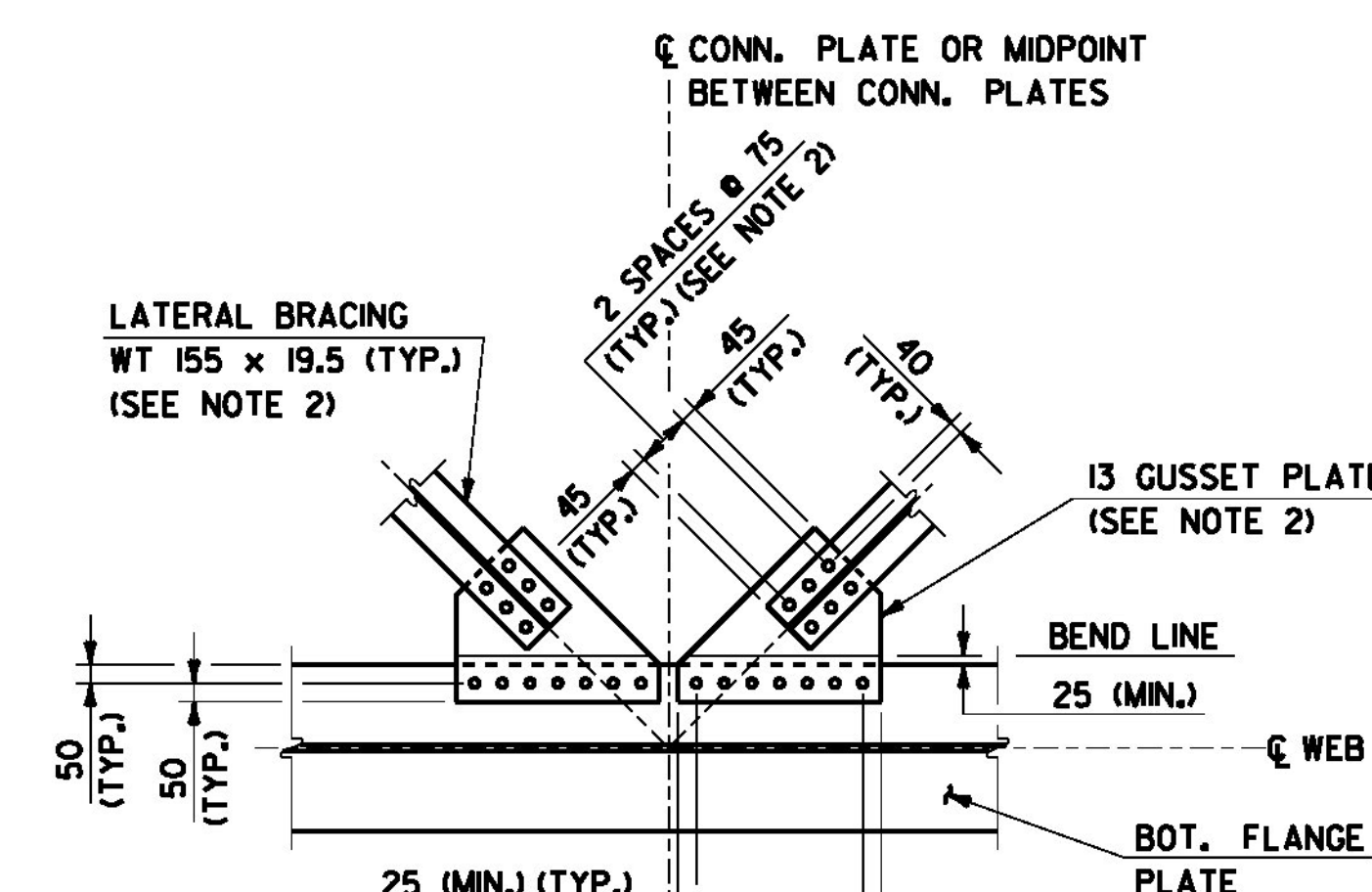
DIAPHRAGM TYPE 2 & 3

SCALE: 1:20
(TYPE 2 SHOWN, TYPE 3 SIMILAR UNLESS NOTED)



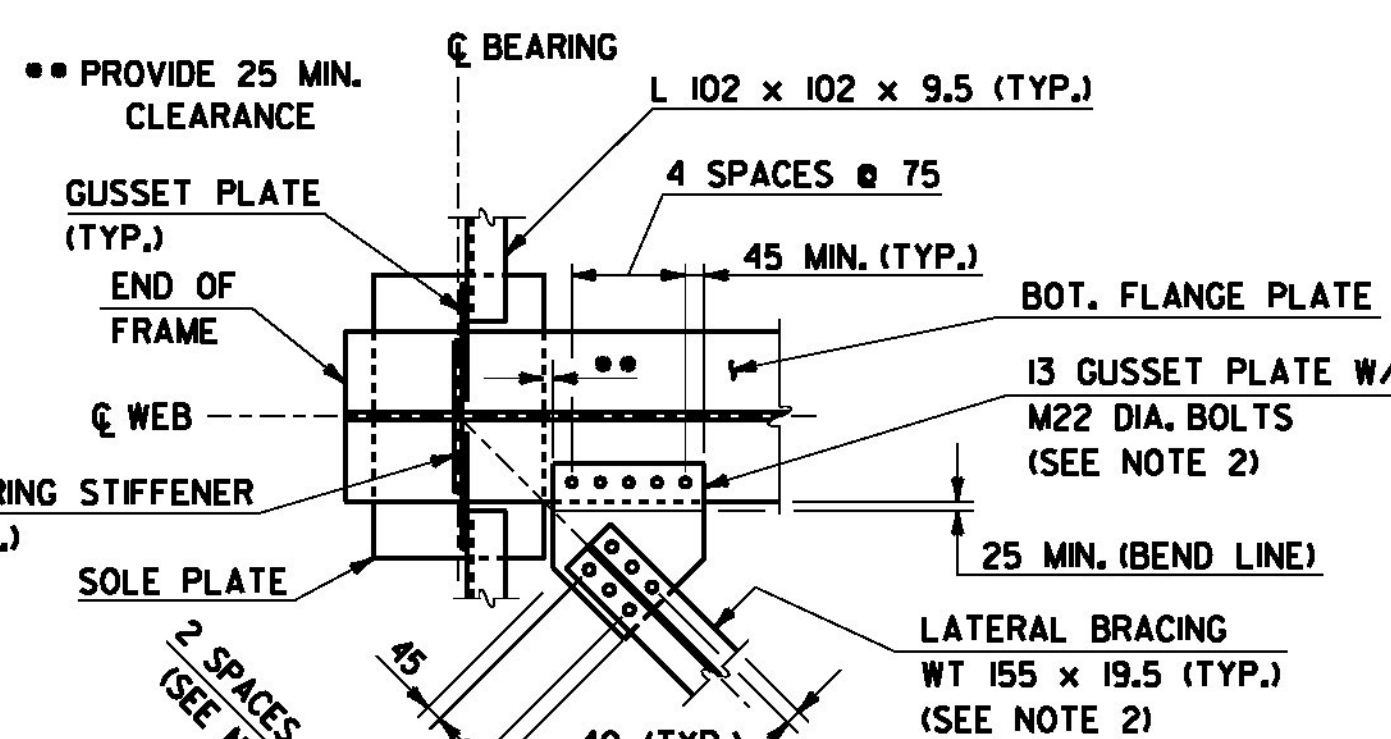
DIAPHRAGM TYPE 6

SCALE: 1:20
(FOR GUSSET PLATE DETAILS NOT SHOWN, SEE DETAILS C & D)



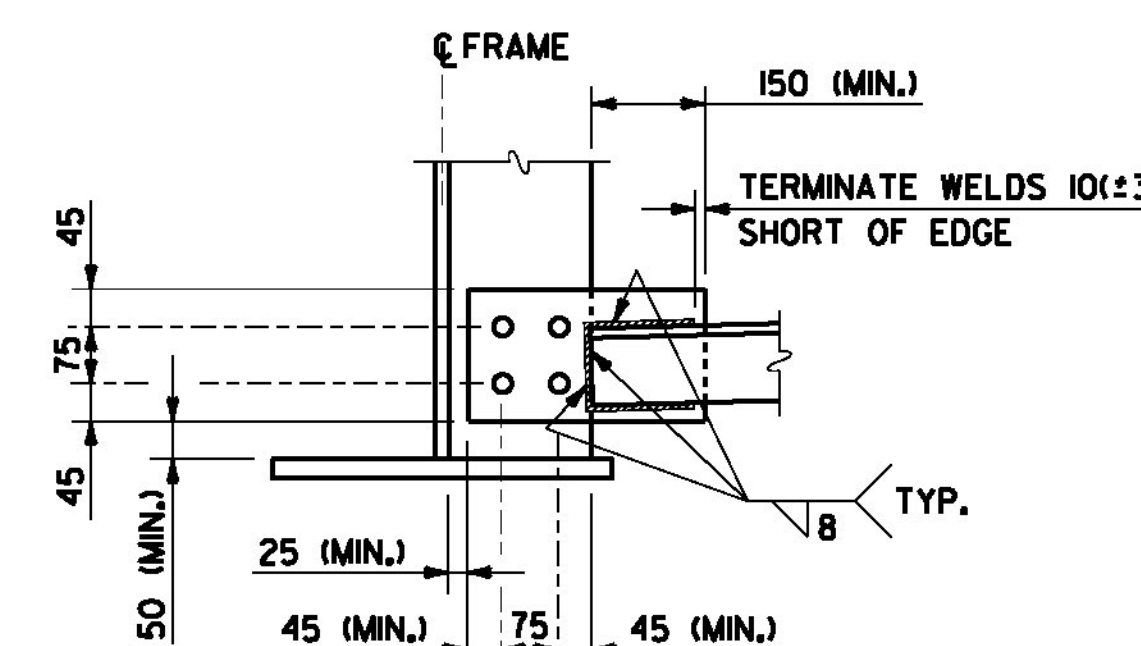
DETAIL A

SCALE: 1:20



DETAIL B

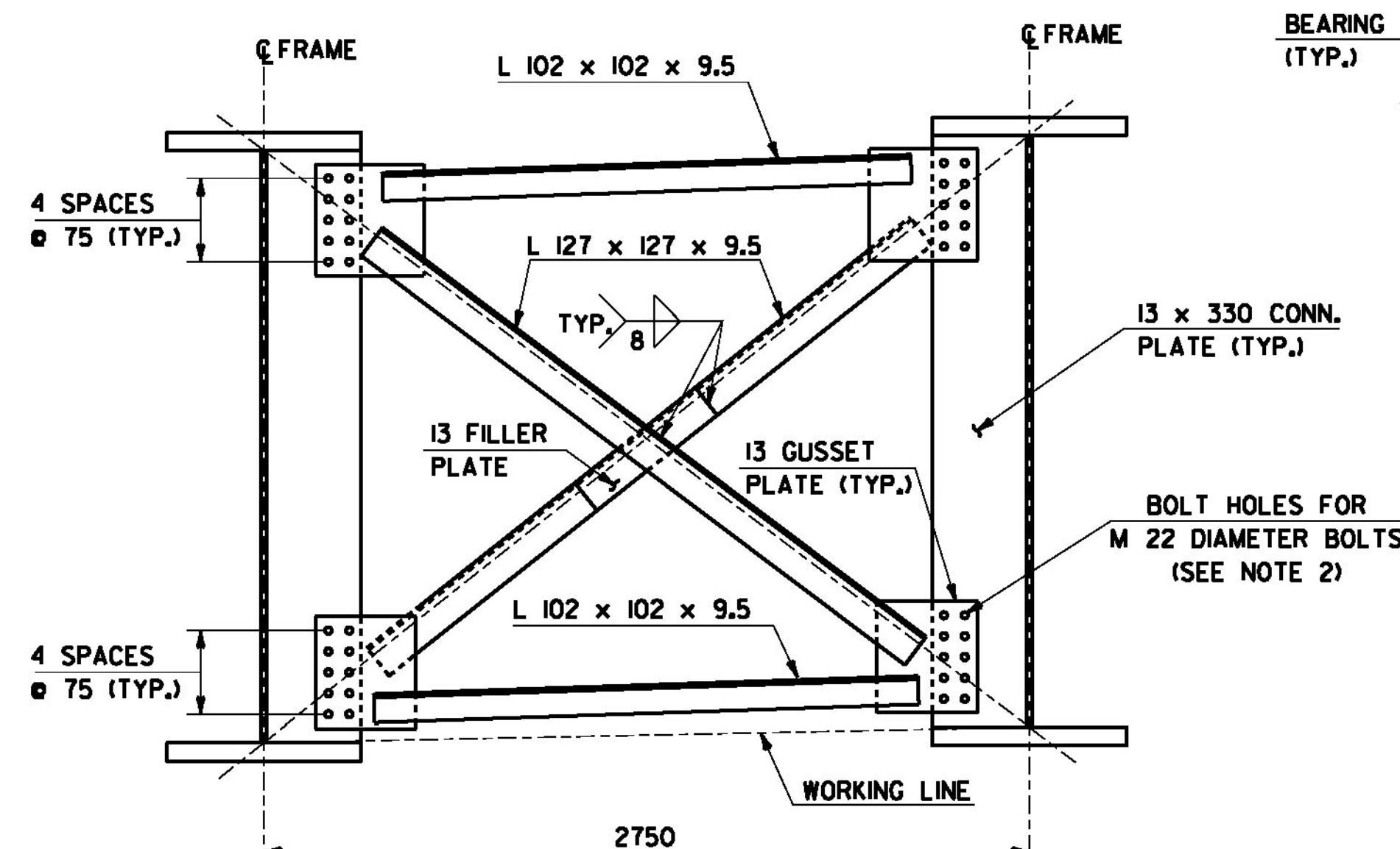
SCALE: 1:20



DETAIL D

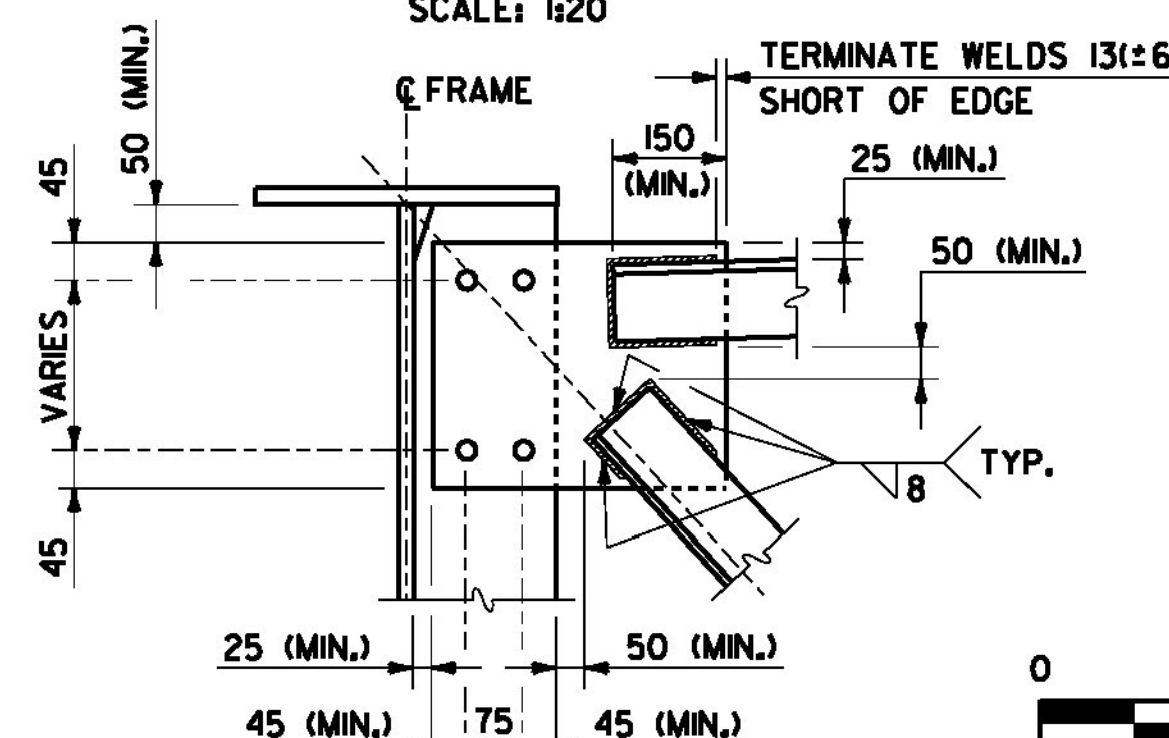
SCALE: 1:10

(TYPICAL TOP AND BOTTOM STRUT CONNECTIONS)



DIAPHRAGM TYPE 4

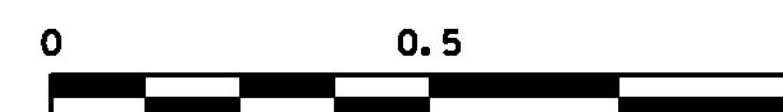
SCALE: 1:20
(FOR GUSSET PLATE DETAILS NOT SHOWN, SEE DETAIL C)



DETAIL C

SCALE: 1:10

(TYPICAL TOP AND BOTTOM STRUT CONNECTIONS)



SCALE = 1:10



SCALE = 1:20

NOTES

1. ALL DIAPHRAGMS, CONNECTION PLATES, LATERAL BRACING AND GUSSET PLATES SHALL BE AASHTO M270 M, GRADE 345W.
2. ALL BOLTS TO BE 22mm DIAMETER ASTM A 325 BOLTS CONFORMING TO THE REQUIREMENTS OF SUBSECTION 714.05.
3. PROVIDE 24mm DIAMETER HOLES IN ALL DIAPHRAGM MEMBERS.
4. USE 27mm DIAMETER OVERSIZE HOLES IN LATERAL BRACING MEMBERS AND STANDARD 24mm DIAMETER HOLES IN GUSSET PLATES AND FLANGES. WASHERS SHALL BE PLACED ON BOTH SIDES OF MEMBER WITH OVERSIZE HOLES
5. ALL DIAPHRAGM FILLER PLATES AND GUSSET PLATES TO BE RECTANGULAR.
6. FOR LOCATIONS OF DETAIL A AND DETAIL B, SEE SHEET 73.

NOTE: ALL DIMENSIONS IN MILLIMETERS (mm) EXCEPT WHERE NOTED.

PROJECT NAME: MORRISTOWN
PROJECT NUMBER: STP F 029-1(2)C/1

FILE NAME: z10b194acf.dgn
PROJECT LEADER: DMB
DESIGNED BY: D. Kull
DIAPHRAGM DETAILS

PLOT DATE: 29-MAR-2012
DRAWN BY: S. Merkwon
CHECKED BY: R. Joy
SHEET 80 OF 123