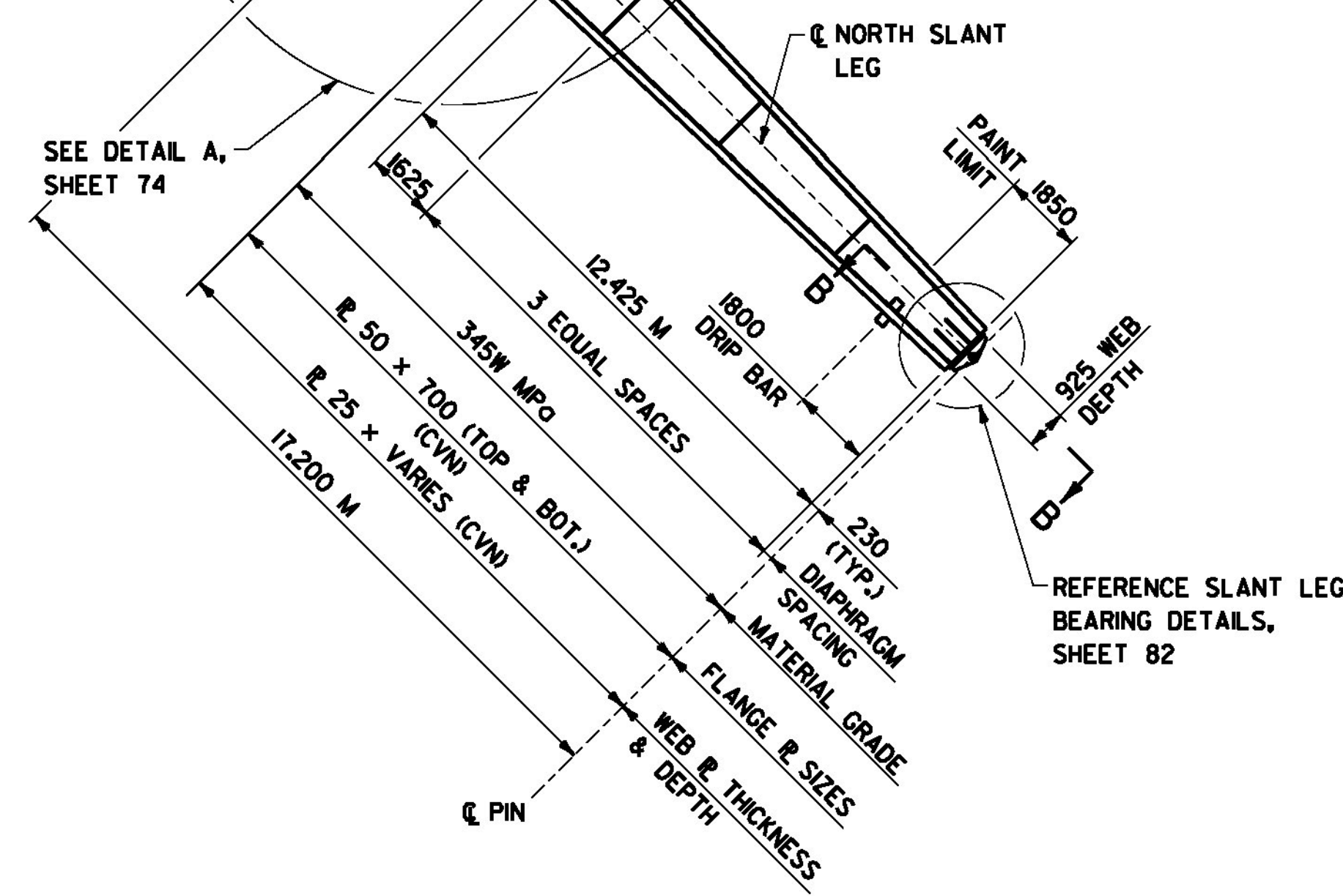
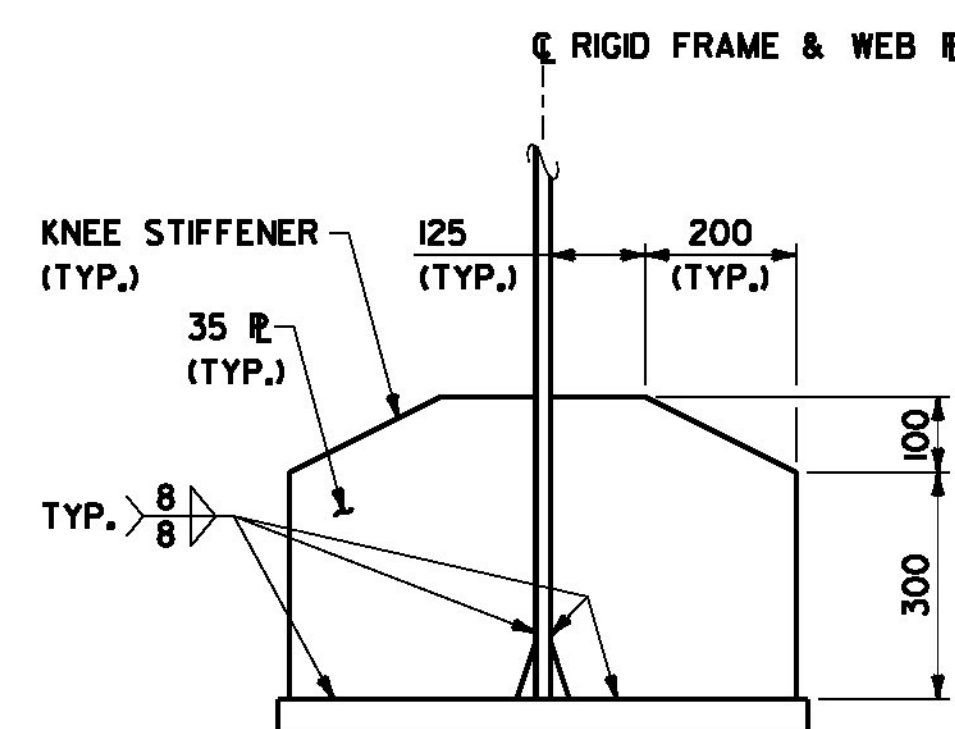


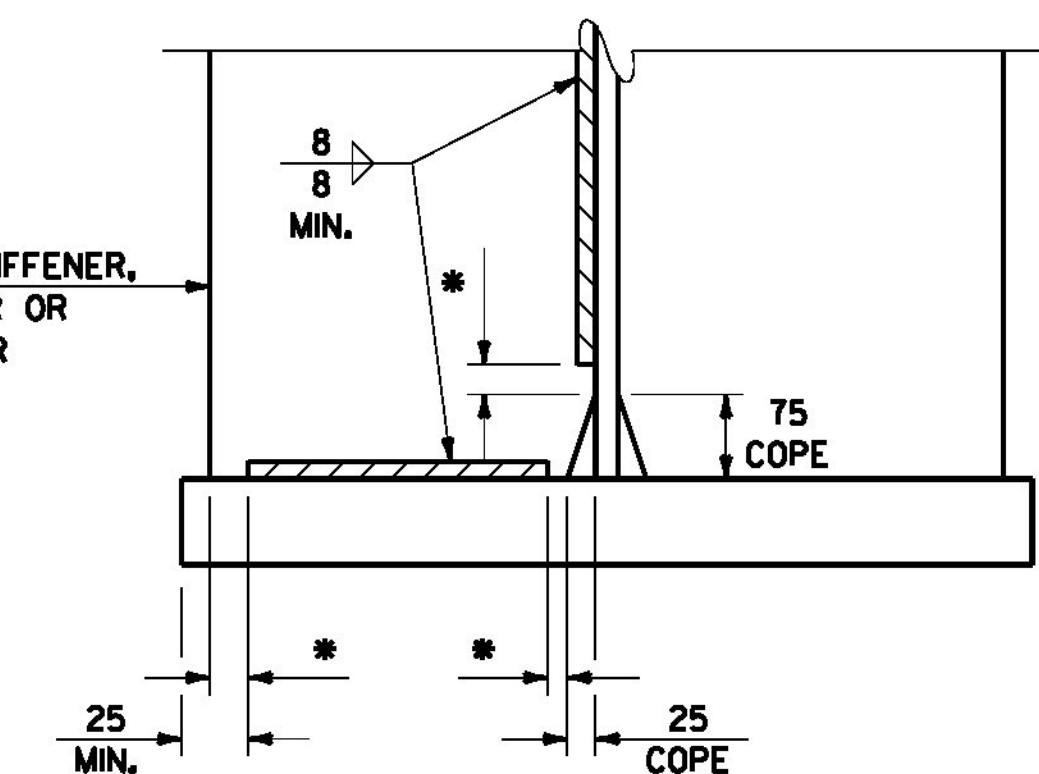
**SECTION B-B
SLANT LEG BEARING STIFFENER**
SCALE: 1:10



FRAME ELEVATION
SCALE: 1:125



**SECTION A-A
KNEE STIFFENER**
SCALE: 1:10

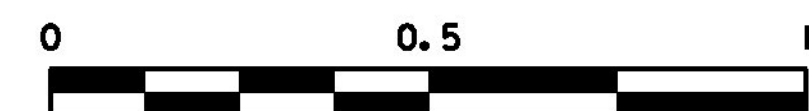


**WELD TERMINATION
AND COPING DETAIL FOR
STEEL MEMBERS**
NOT TO SCALE

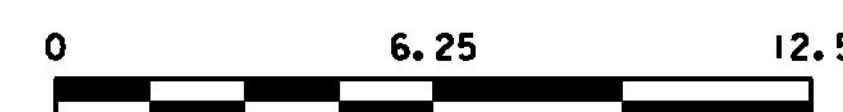
* NO WELD FOR 10 MIN., 22 MAX. (EXCEPT MUST MAINTAIN 25 MIN. FROM EDGE OF FLANGE)

NOTES

- FOR LOCATIONS OF SECTIONS A-A AND B-B, SEE SHEET 74.
- COMPLETE JOINT PENETRATION (CJP) WEB WELDS NOT PERMITTED IN THIS LENGTH.



SCALE = 1:10



SCALE = 1:125

NOTE: ALL DIMENSIONS IN MILLIMETERS (mm) EXCEPT WHERE NOTED.

PROJECT NAME:	MORRISTOWN	PLOT DATE:	29-MAR-2012
PROJECT NUMBER:	STP F 029-1(2)C/1	DRAWN BY:	P. Dustin
FILE NAME:	z10b194afe.dgn	CHECKED BY:	R. Joy
PROJECT LEADER:	DMB	DESIGNED BY:	D. Kull
DESIGNED BY:	D. Kull	SLANT LEG FRAME ELEVATION (2 OF 2)	SHEET 75 OF 123