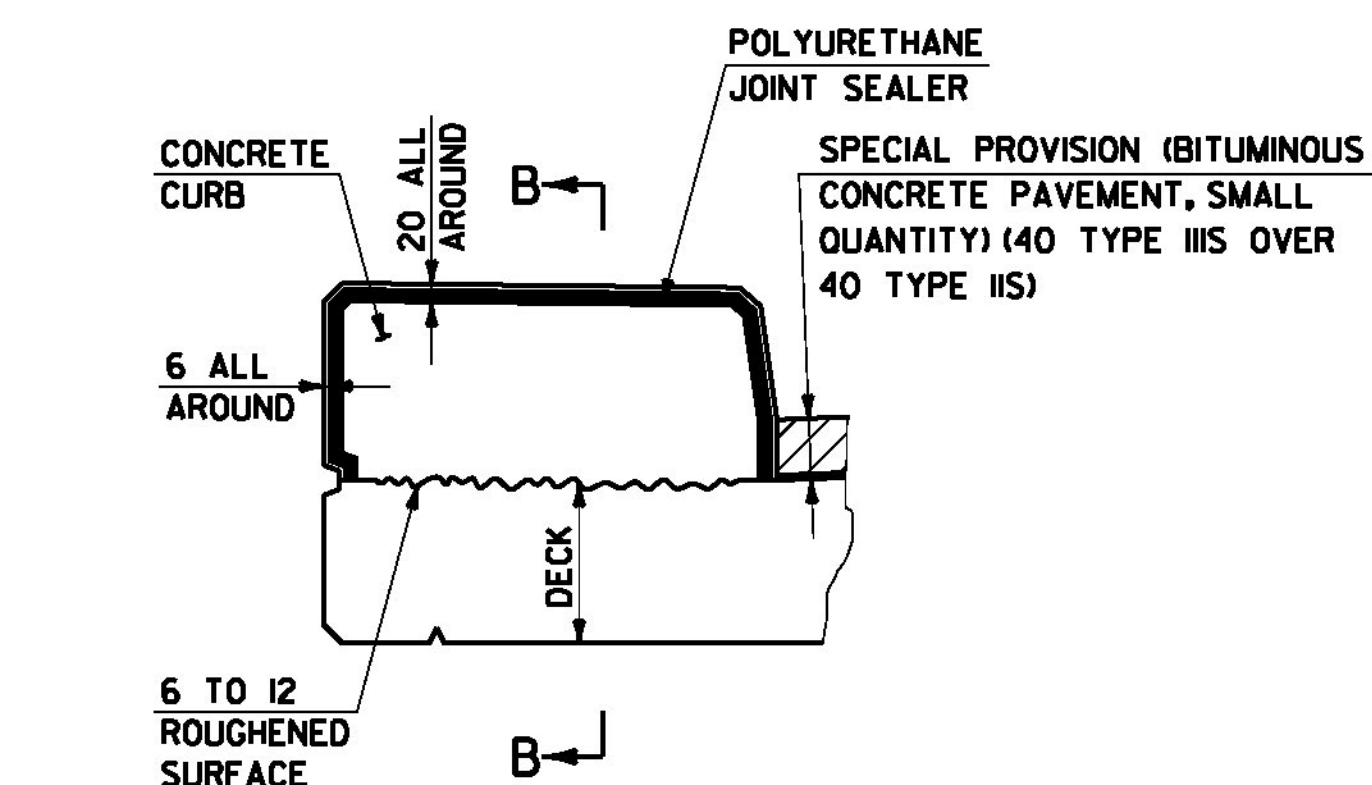


TYPICAL CURB SECTION

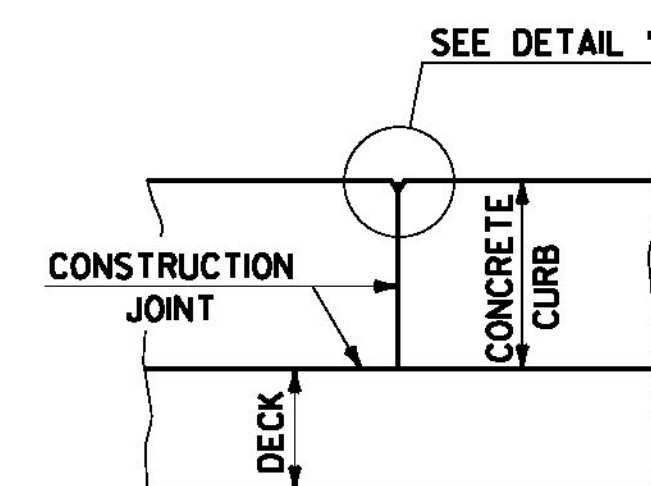
SCALE: 1:10

* SECOND LIFT OF BITUMINOUS CONCRETE PAVEMENT TYPE IIS IS NOT INCLUDED IN THIS CONTRACT



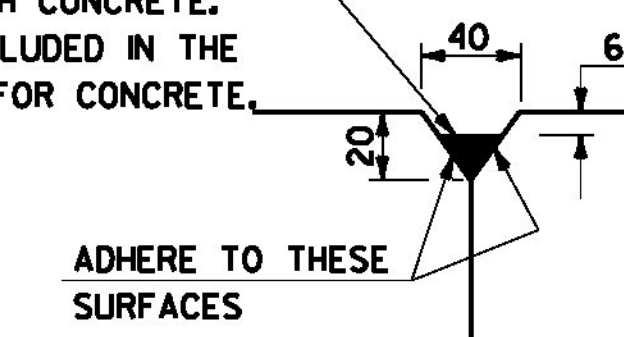
CONCRETE CURB JOINT SECTION

NOT TO SCALE



SECTION B-B

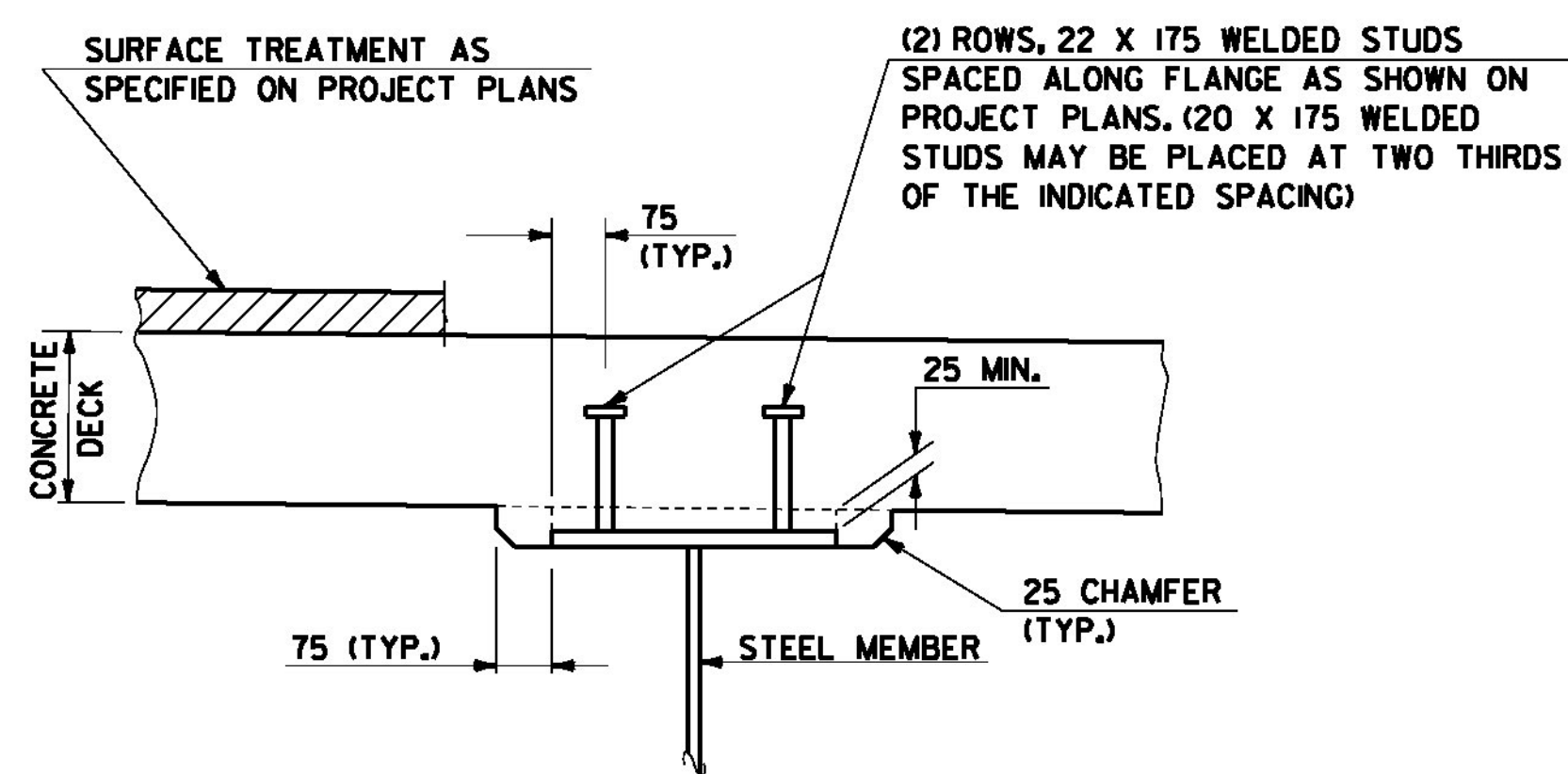
POLYURETHANE JOINT SEALER MEETING THE REQUIREMENTS OF SECTION 524. COLOR TO MATCH CONCRETE. COST TO BE INCLUDED IN THE UNIT PRICE BID FOR CONCRETE.



DETAIL B

CONCRETE CURB JOINT NOTES

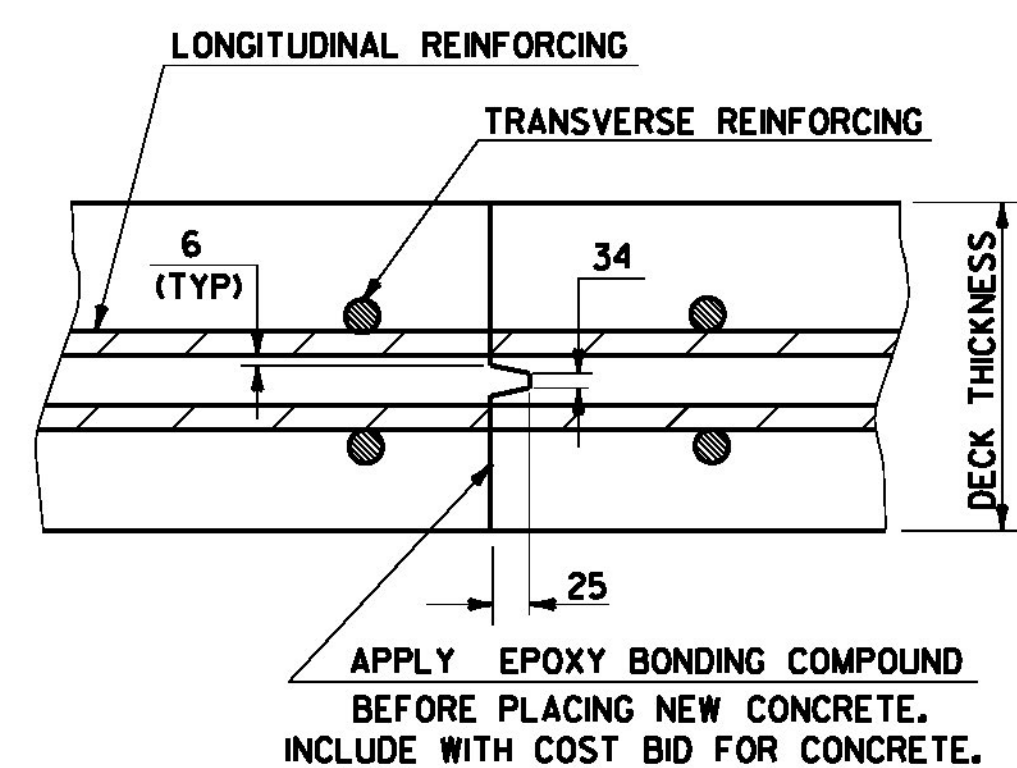
1. CONCRETE CURBS MAY BE PLACED IN ONE CONTINUOUS OPERATION IF AN APPROVED SHRINKAGE REDUCING ADMIXTURE LISTED IN THE SPECIAL PROVISIONS IS USED WITH THE CONCRETE MIX DESIGN. PAYMENT FOR THE SHRINKAGE REDUCING ADMIXTURE WILL BE INCIDENTAL TO THE BRIDGE CURB CONCRETE ITEM.
2. IF THE CONTRACTOR CHOOSES NOT TO USE AN APPROVED SHRINKAGE REDUCING ADMIXTURE, THE CURBS SHALL BE CONSTRUCTED WITH CONSTRUCTION JOINTS SPACED AT A MAXIMUM OF 4.5 METERS CENTER TO CENTER AND 600 MILLIMETERS MINIMUM FROM THE CENTER OF NEAREST BRIDGE RAILING POST.
3. ON MULTI-SPAN CONTINUOUS SUPERSTRUCTURES, REGARDLESS OF WHETHER APPROVED SHRINKAGE REDUCING ADMIXTURE IS USED, CURB JOINTS SHALL BE LOCATED OVER THE CENTERLINE OF PIERS AND 2 METERS EACH SIDE OF THE CENTERLINE OF EACH PIER.
4. WHEN CURB JOINTS ARE USED THE CURBS SHALL BE PLACED IN ALTERNATE SECTIONS WITH A MINIMUM OF 48 HOUR DELAY BETWEEN ADJACENT PLACEMENTS.
5. LONGITUDINAL REINFORCING SHALL BE CONTINUOUS THROUGH CURB CONSTRUCTION JOINTS.
6. SEE DECK POUR SEQUENCE NOTES ON SHEET 71.



HAUNCH AND SHEAR CONNECTOR DETAIL

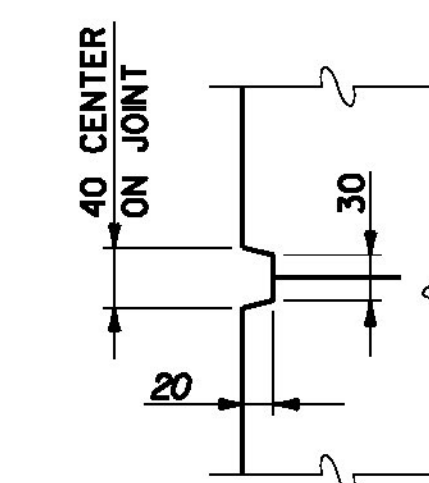
NOT TO SCALE

NOTE:
THE 75 mm HORIZONTAL SECTION MAY BE ELIMINATED FOR FORMING SYSTEMS DESIGNED FOR THE CONSTRUCTION OF VERTICAL HAUNCHES. ANY VOIDS RESULTING FROM FORMING SYSTEM ELEMENTS SHALL BE FILLED WITH JOINT SEALER, POLYURETHANE MEETING THE REQUIREMENTS OF SECTION 524. THE COST OF THE JOINT SEALER, POLYURETHANE SHALL BE INCIDENTAL TO THE ADJACENT CONCRETE.



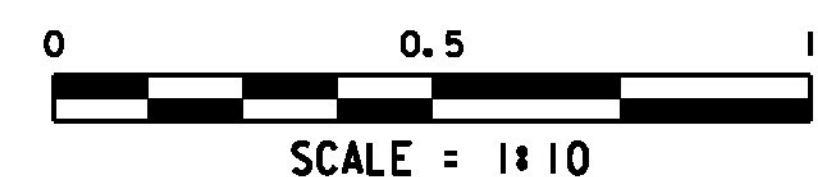
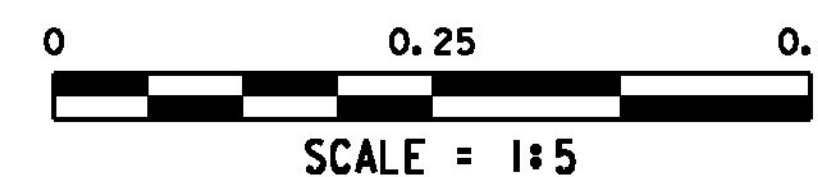
TRANSVERSE BRIDGE SLAB CONSTRUCTION JOINT DETAILS

NOT TO SCALE



SCORE MARK DETAIL

SCALE: 1:5



NOTE: ALL DIMENSIONS IN MILLIMETERS (mm) EXCEPT WHERE NOTED.

PROJECT NAME: MORRISTOWN
PROJECT NUMBER: STP F 029-1(2)C/1

FILE NAME: z10b194ad2.dgn PLOT DATE: 11-APR-2012
PROJECT LEADER: DMB DRAWN BY: S. Merkwon
DESIGNED BY: D. Kull CHECKED BY: R. Joy
SUPERSTRUCTURE DETAILS SHEET 72 OF 123