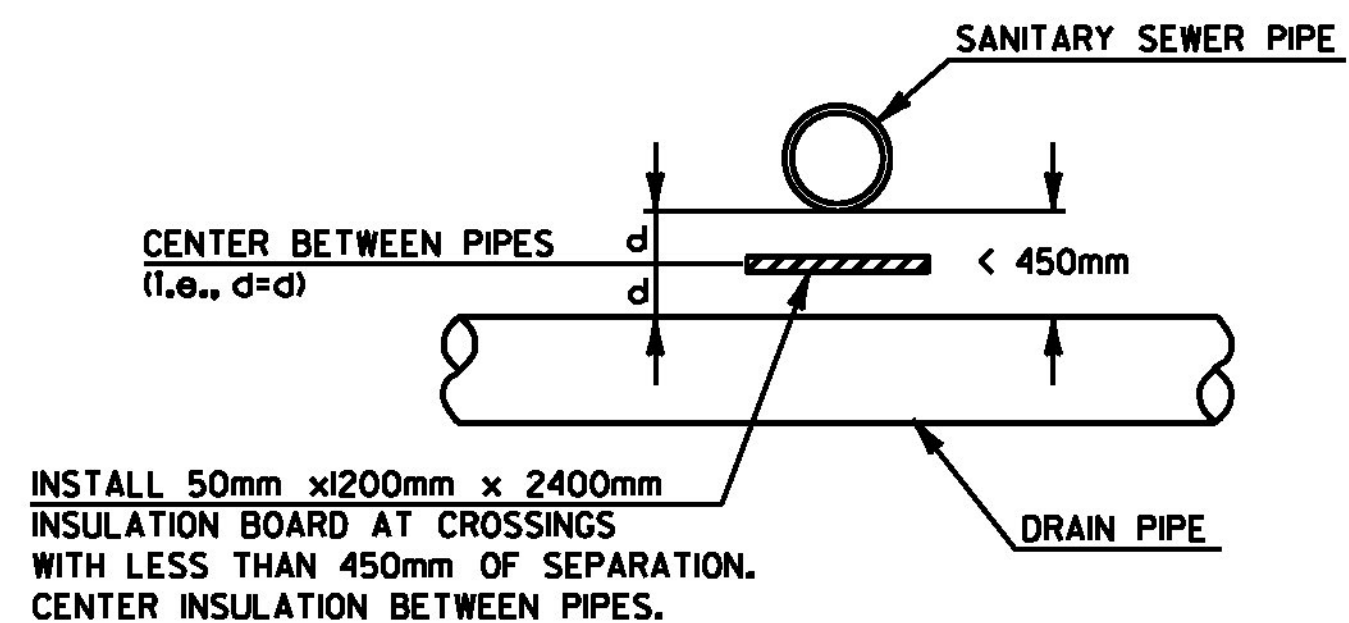
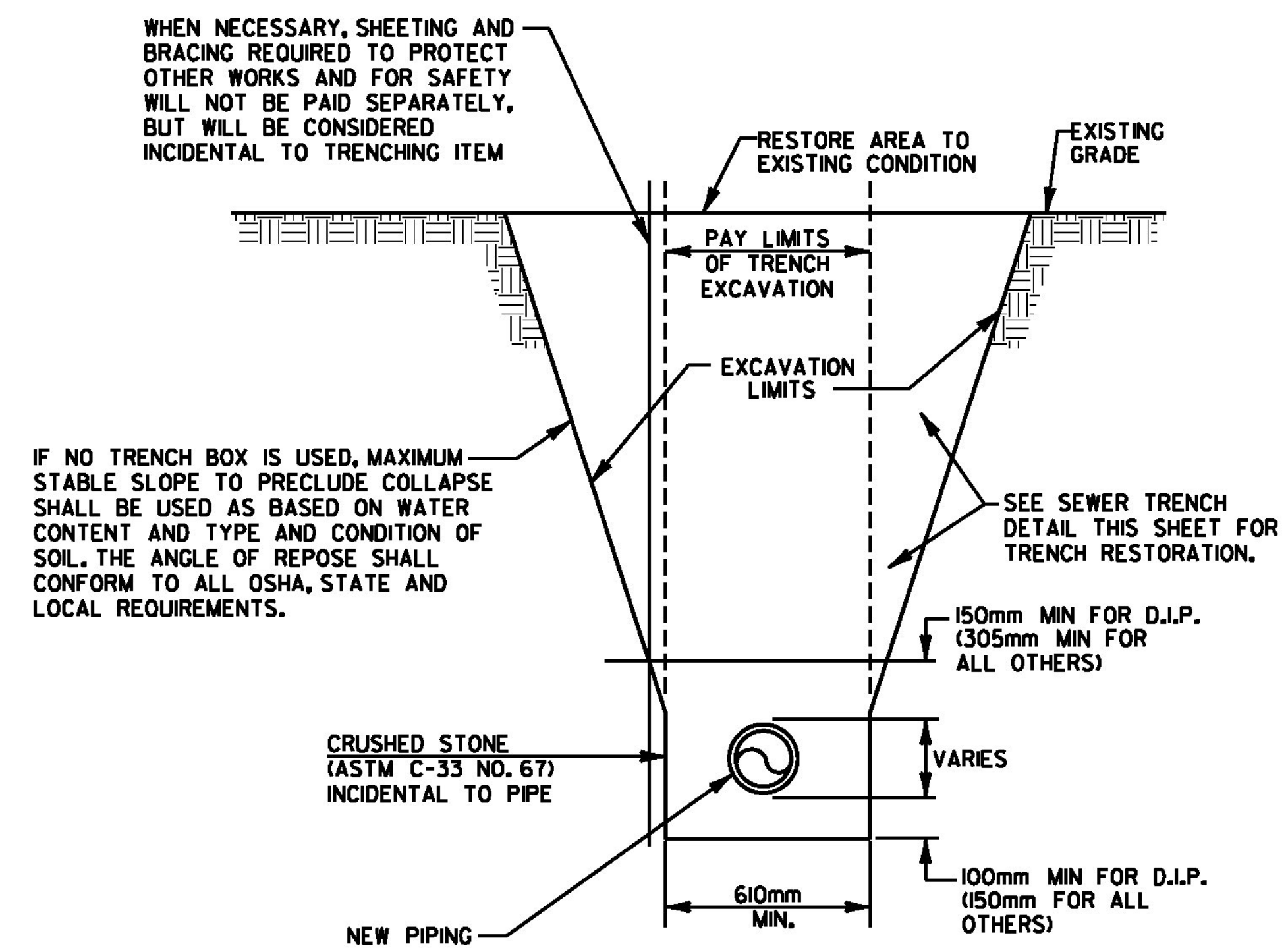
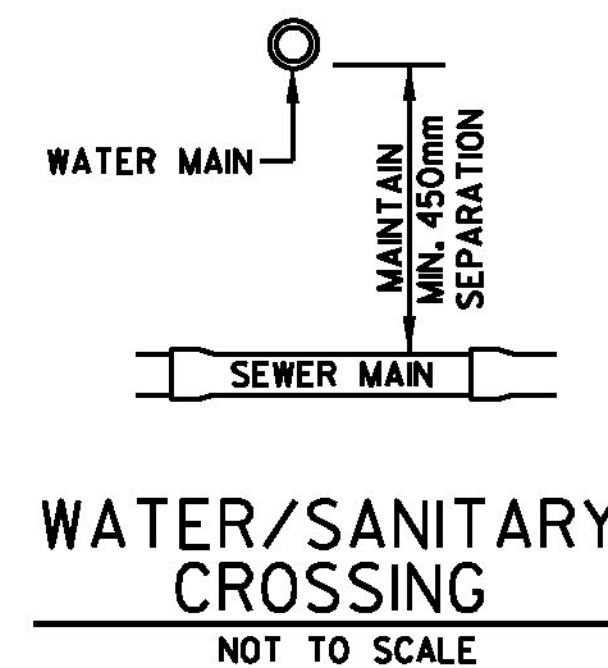


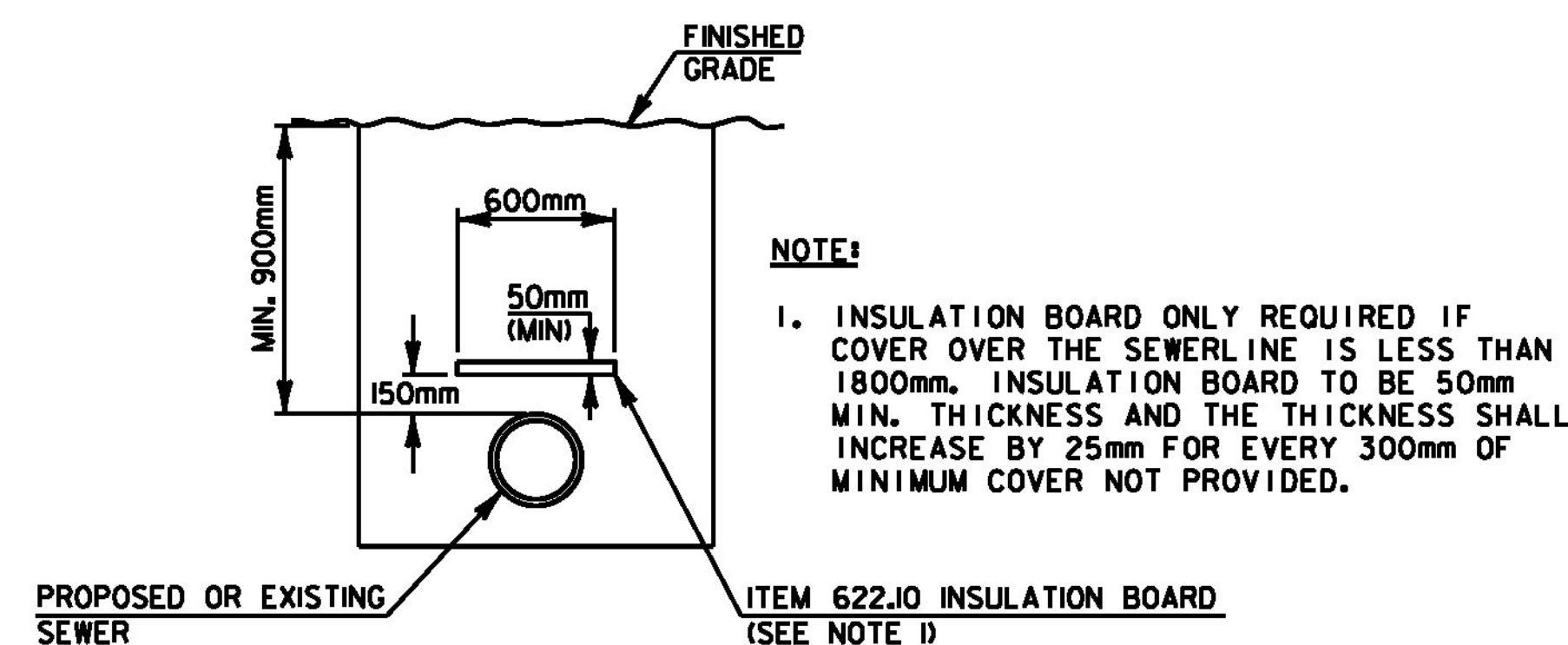
SERVICE INSTALLATION
NOT TO SCALE



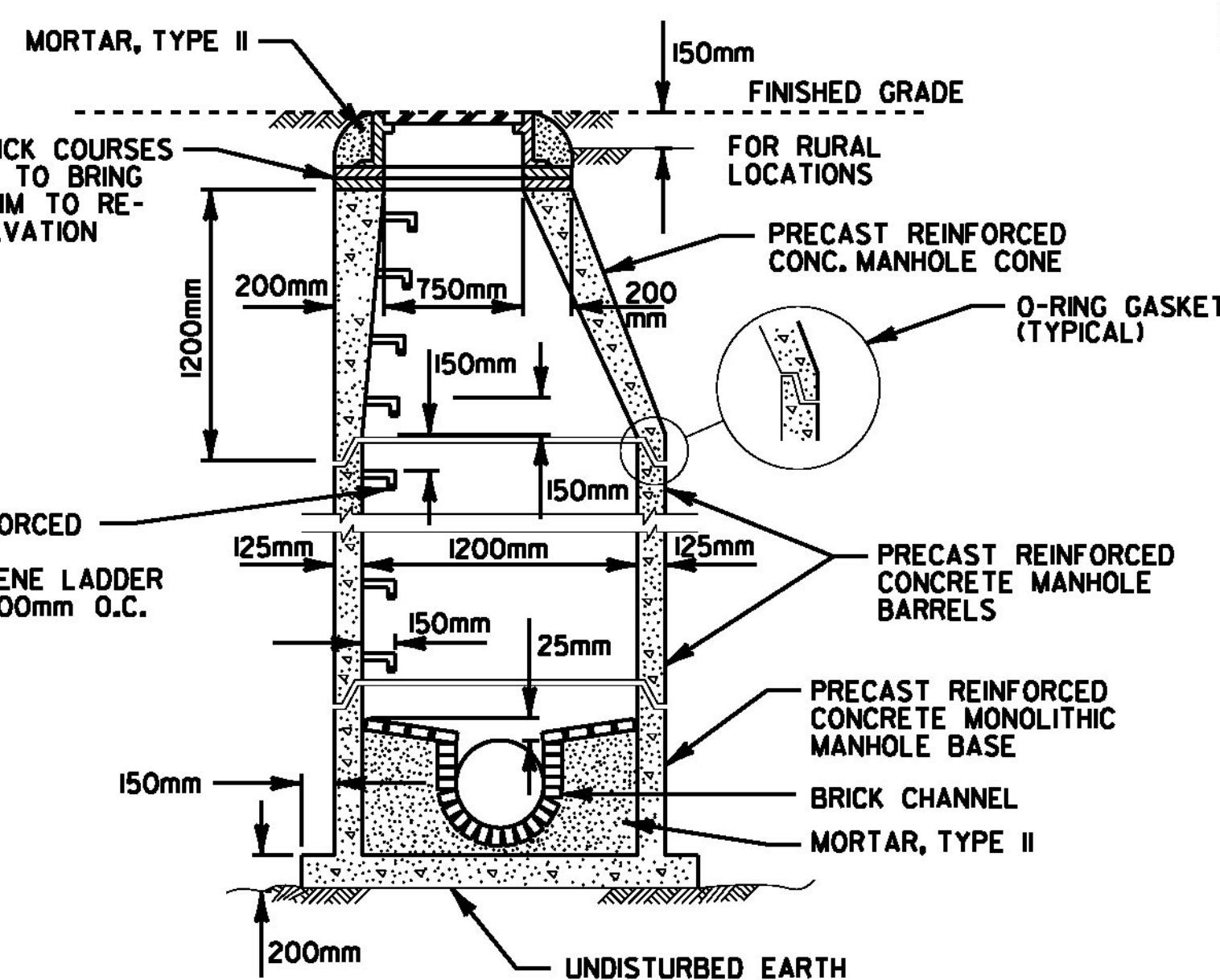
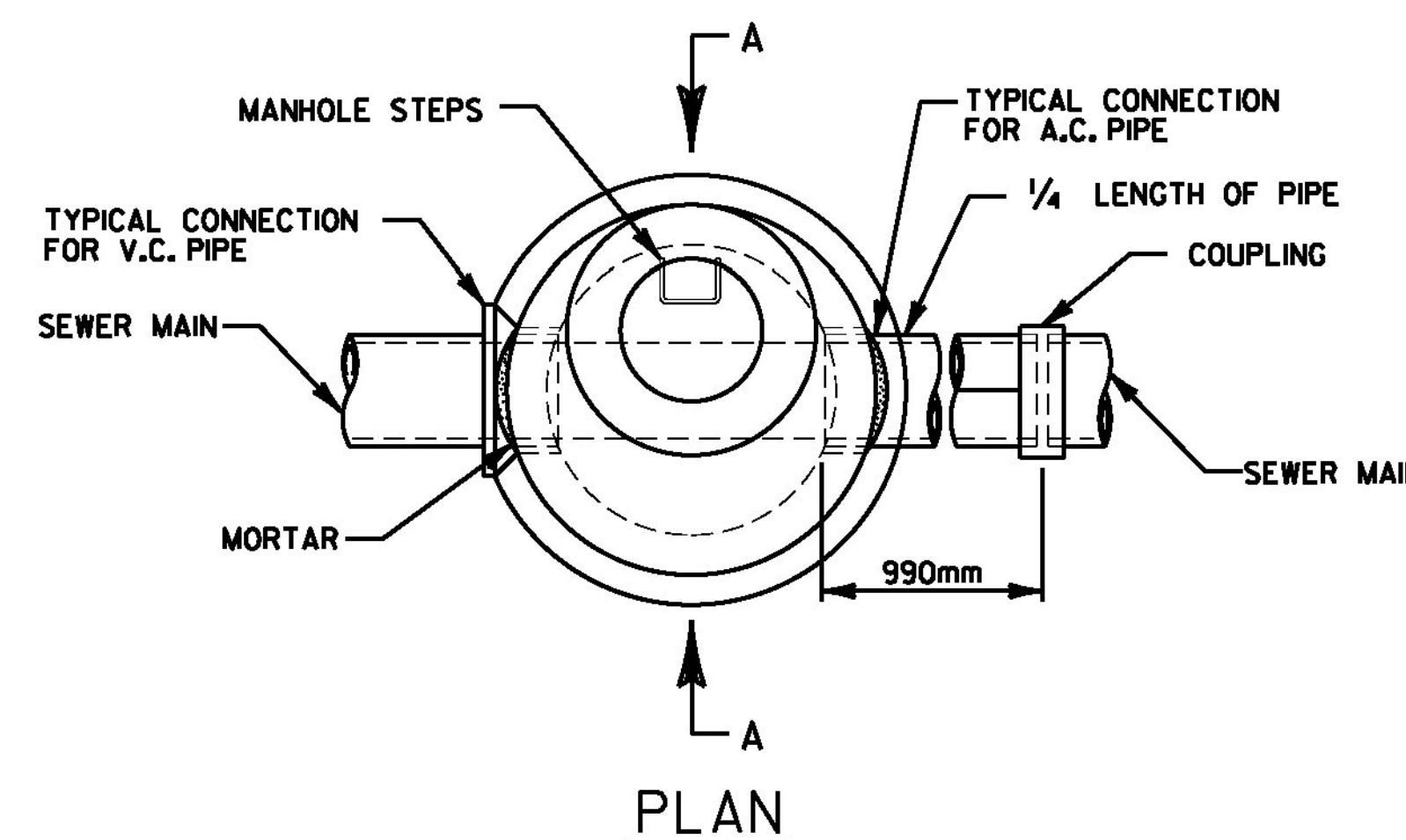
DRAIN / SANITARY SEWER CROSSING
NOT TO SCALE



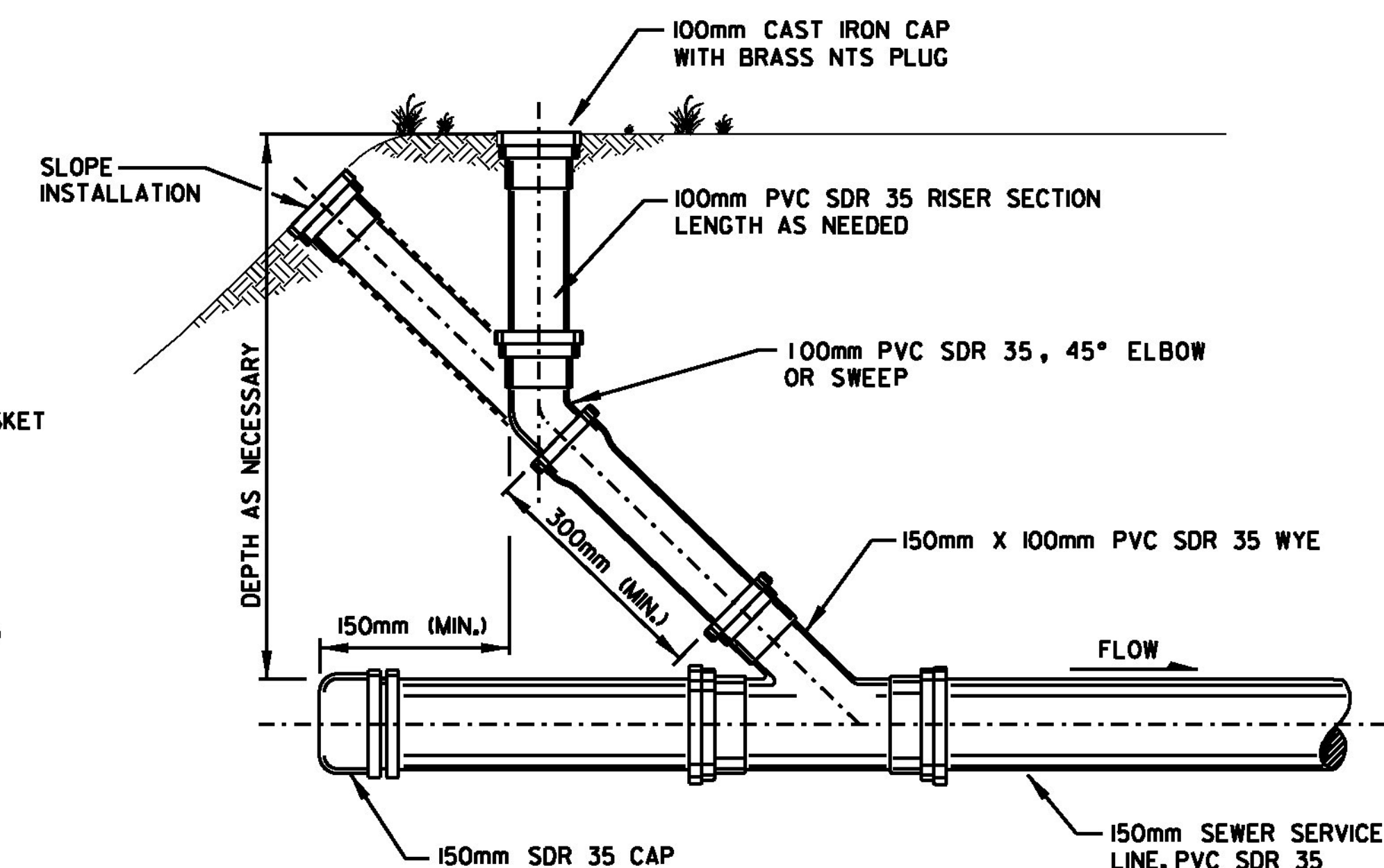
SEWER PIPE TRENCH
NOT TO SCALE



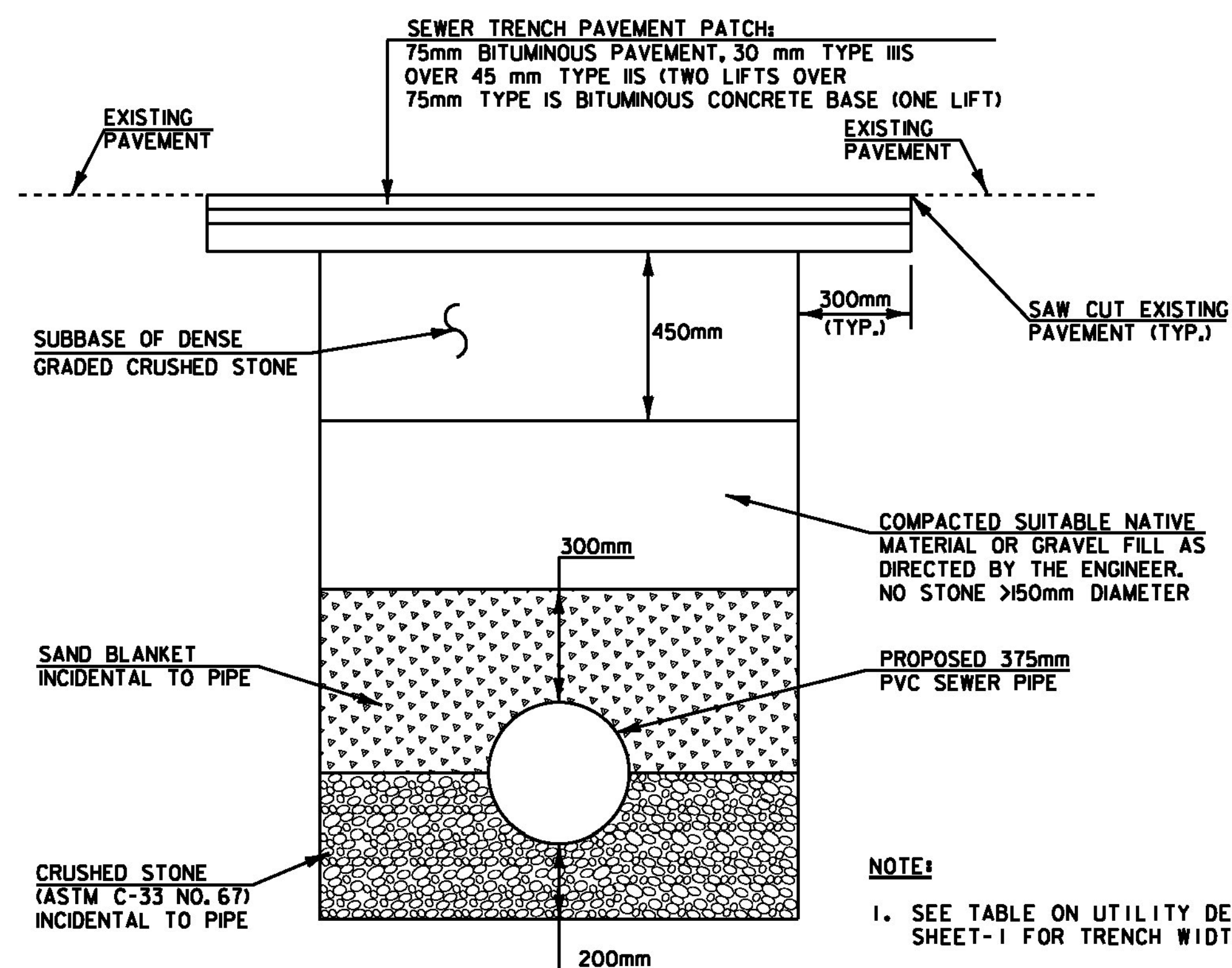
SANITARY SEWER LINE INSULATION DETAIL
NOT TO SCALE



SECTION A-A
PRECAST REINFORCED CONCRETE SANITARY SEWER MANHOLE
NOT TO SCALE



PVC SEWER SERVICE CLEANOUT
NOT TO SCALE



SEWER TRENCH DETAIL
NOT TO SCALE

NOTE:
1. SEE TABLE ON UTILITY DETAIL SHEET-1 FOR TRENCH WIDTHS.

PROJECT NAME:	MORRISTOWN	PLOT DATE:	29-MAR-2012
PROJECT NUMBER:	STP F 029-1(2)C/1	DRAWN BY:	MAL
FILE NAME:	z10b194ut11de12.dgn	DESIGNED BY:	BRC
PROJECT LEADER:	DMB	CHECKED BY:	DMB
UTILITY DETAIL SHEET - 2		SHEET 36	OF 123