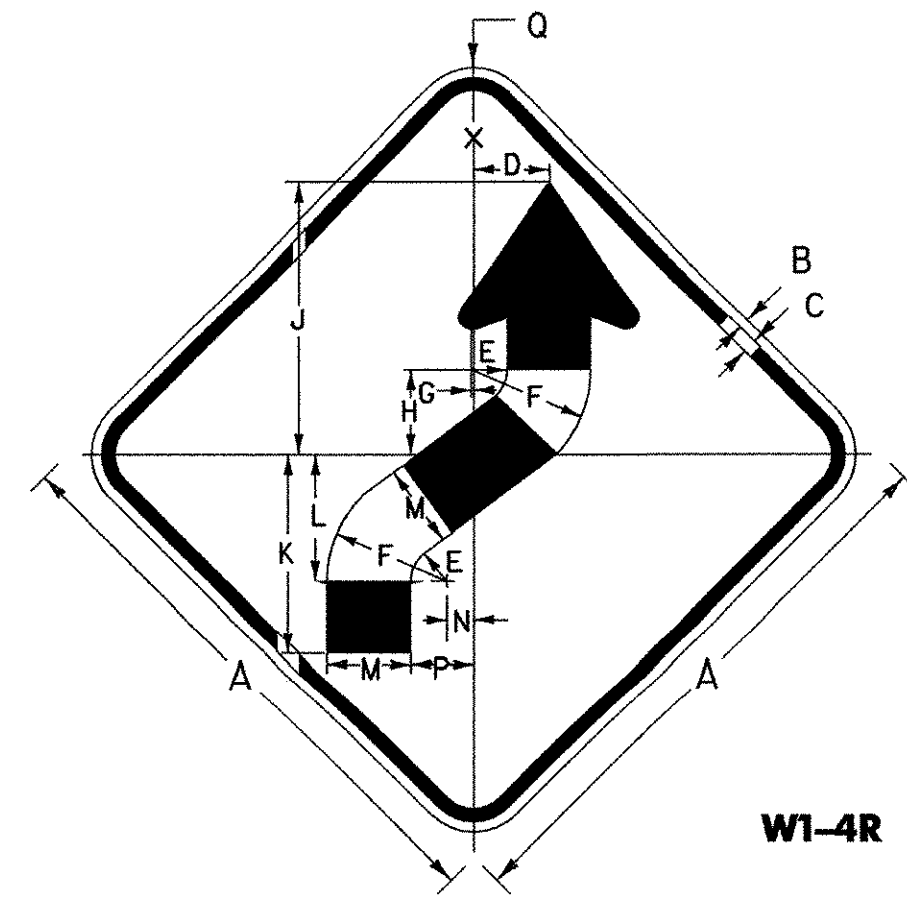
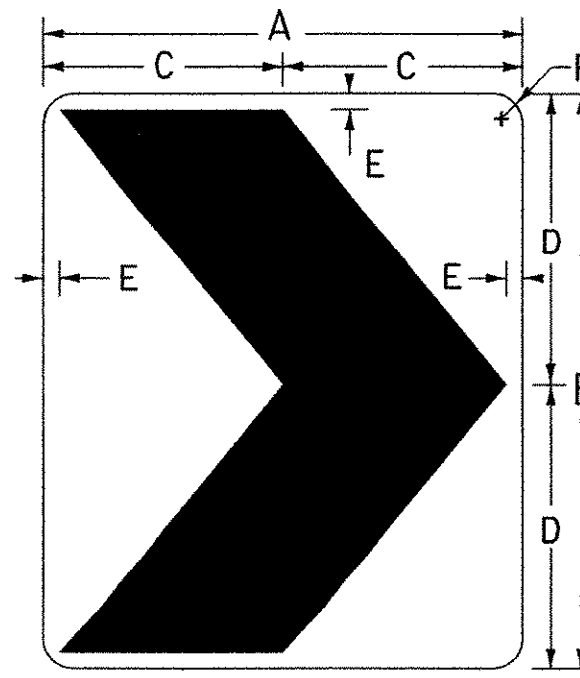


W1-3R

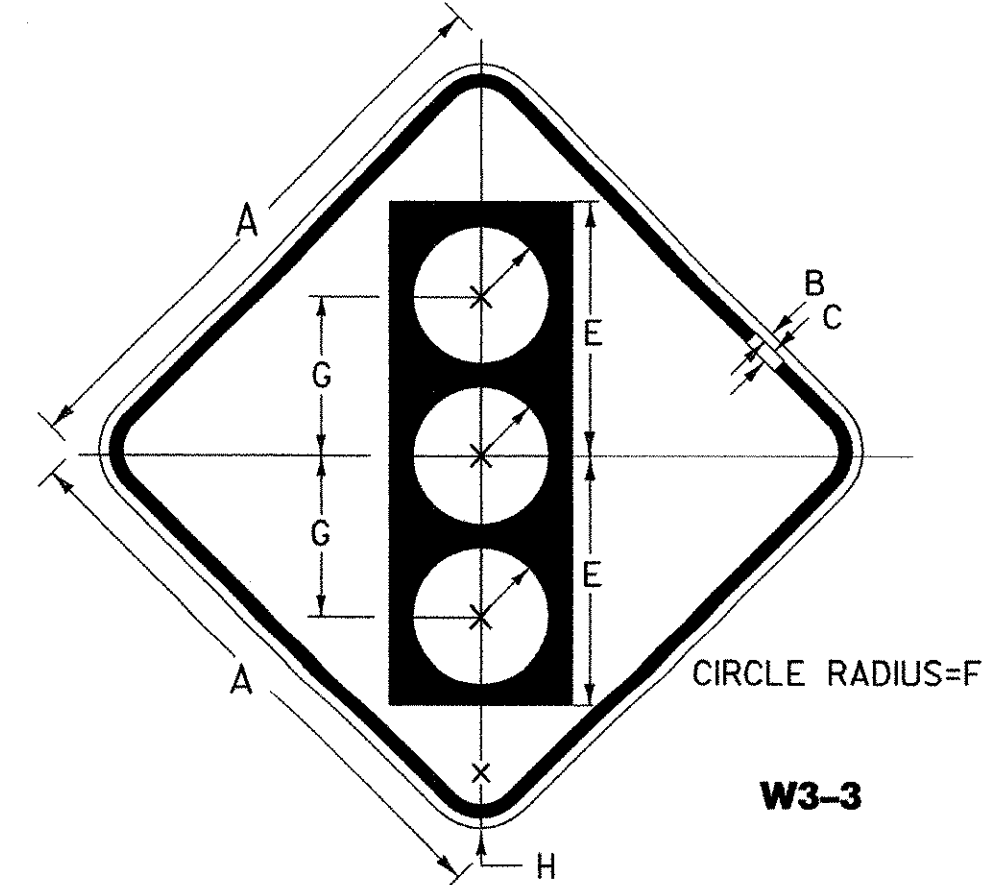


W1-4R



W1-8

SIGN	DIMENSIONS (INCHES)					
	A	B	C	D	E	F
STD.	18	24	9	12	3/4	1 1/2
SPECIAL	24	30	12	15	7/8	1 1/2
EXPWY.	30	36	15	18	1	1 1/8
FRWY.	36	48	18	24	1 1/8	2 1/4

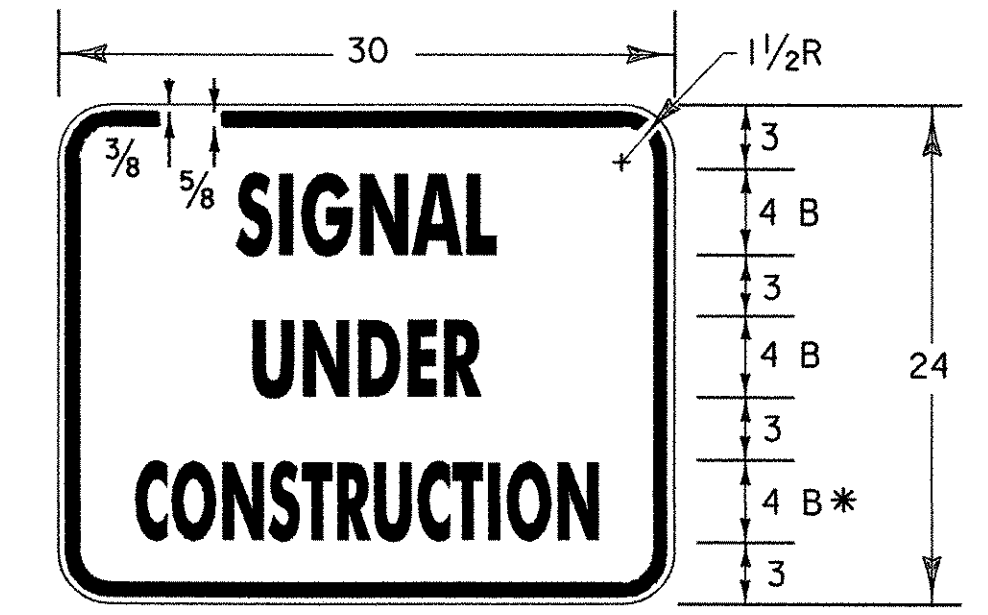


W3-3

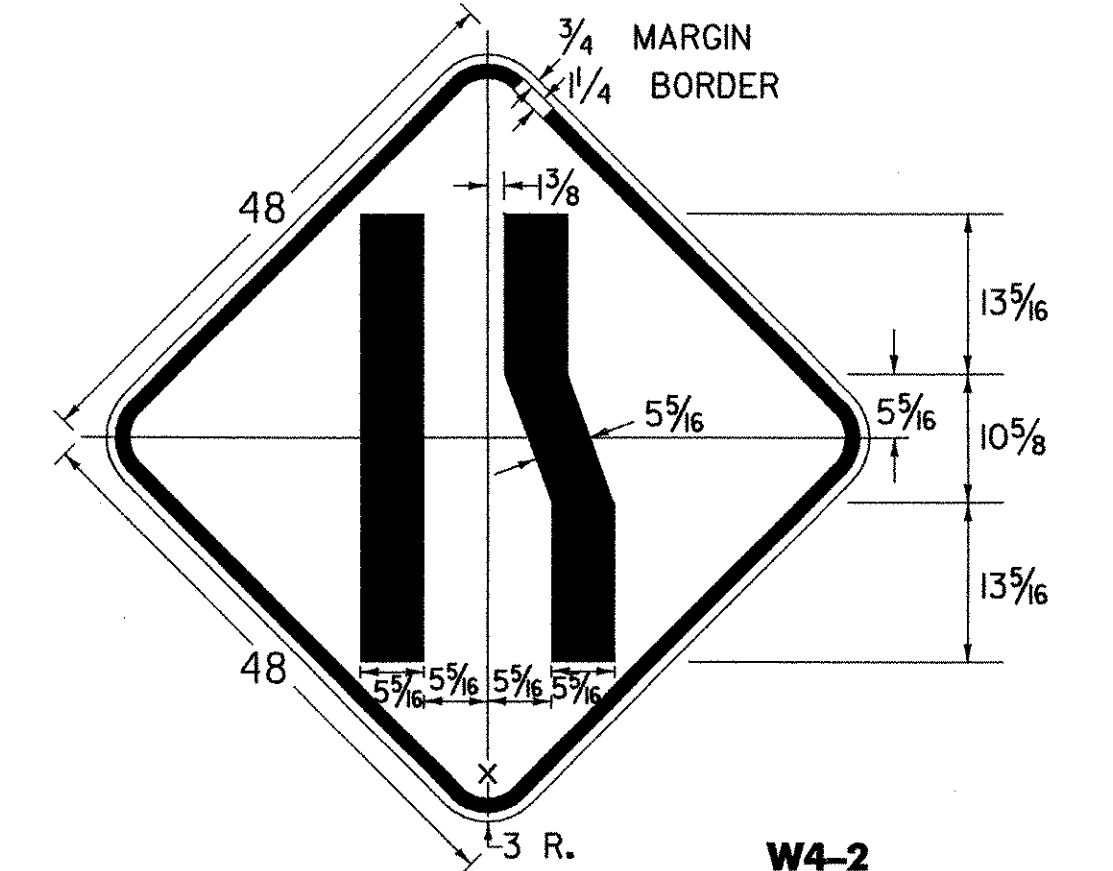
SIGN	DIMENSIONS (INCHES)							
	A	B	C	D	E	F	G	H
STD. & MIN.	36	5/8	7/8	5 3/4	15 3/4	4 1/4	10	2 1/4
SPECIAL	48	3/4	1 1/4	7 1/2	20	5	12 1/2	3

**COLORS**

TOP CIRCLE RED (REFL)  
 MIDDLE CIRCLE YELLOW (REFL)  
 BOTTOM CIRCLE GREEN (REFL)  
 SYMBOL & LEGEND - BLACK (NON-REFL)  
 BACKGROUND - ORANGE (REFL)



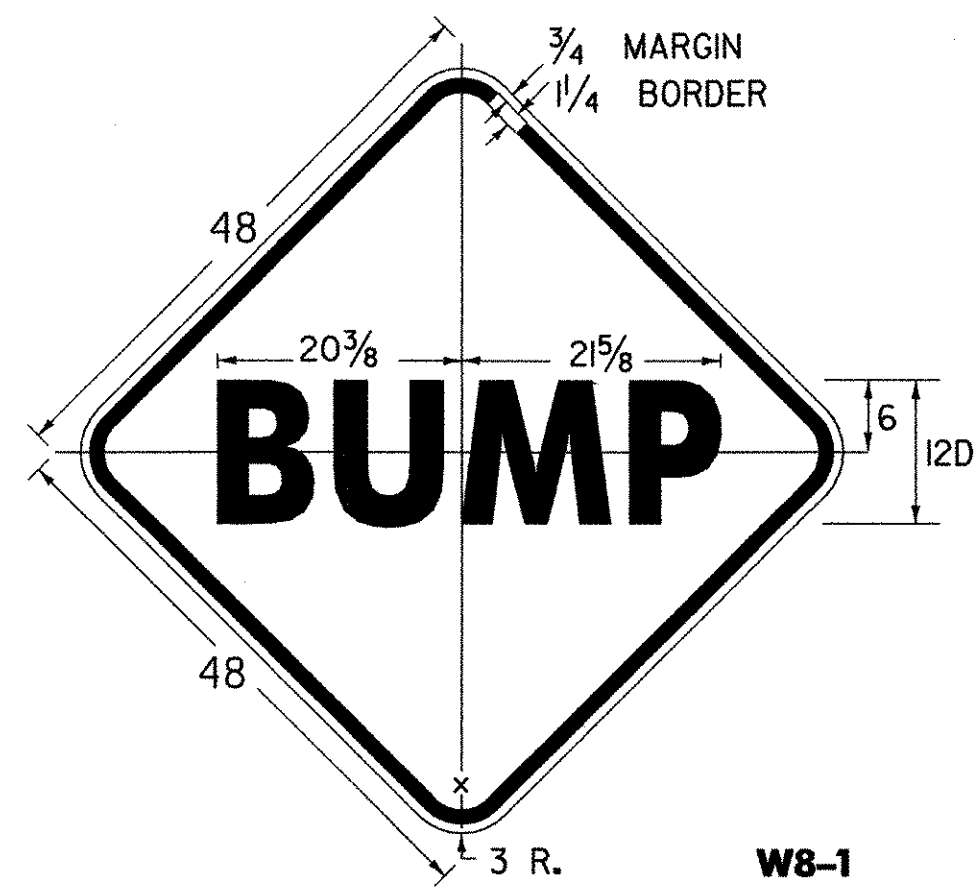
\* REDUCE SPACING 50%



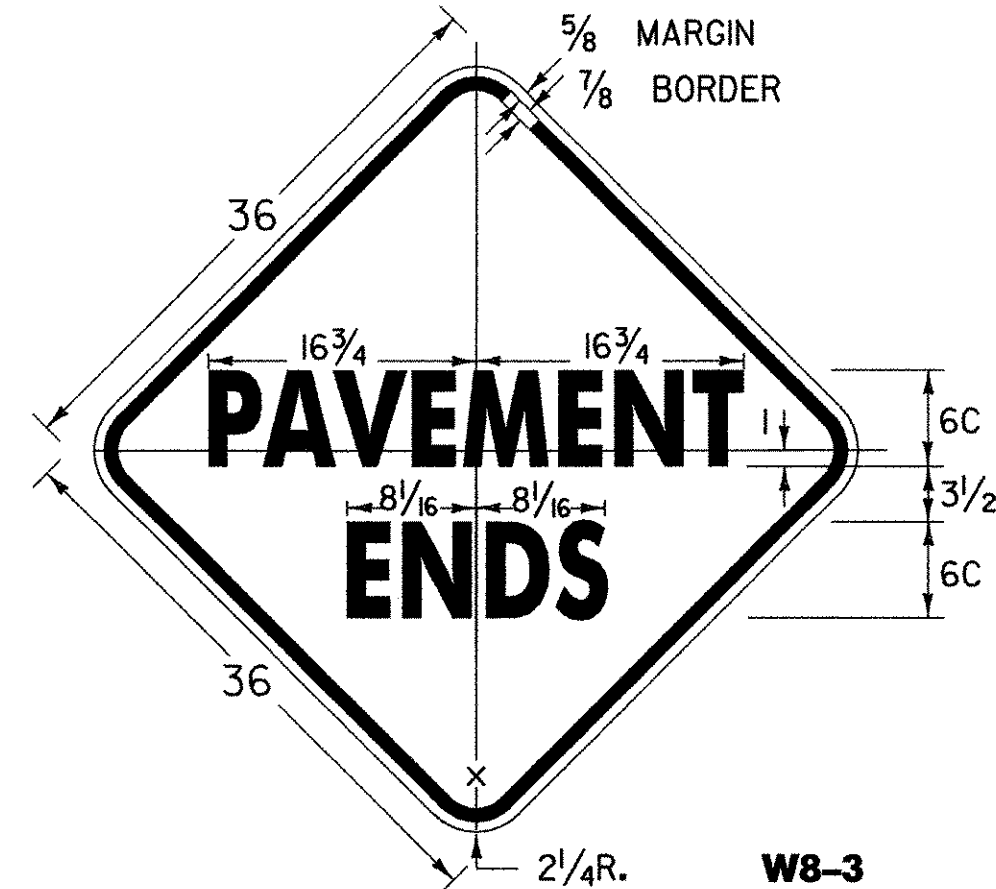
W4-2

SIGN	DIMENSIONS (INCHES)											
	A	B	C	D	E	F	G	H	J	K	L	M
STD. & MIN.	36	5/8	7/8	17 7/16	4 7/32	5 1/4	1 1/4	3 5/8	4 1/2	12 5/32	1 3/32	2 1/4
SPECIAL	48	3/4	1 1/4	23 3/16	5 5/8	7	1 5/8	4 7/8	6	16 5/8	2 3/16	3

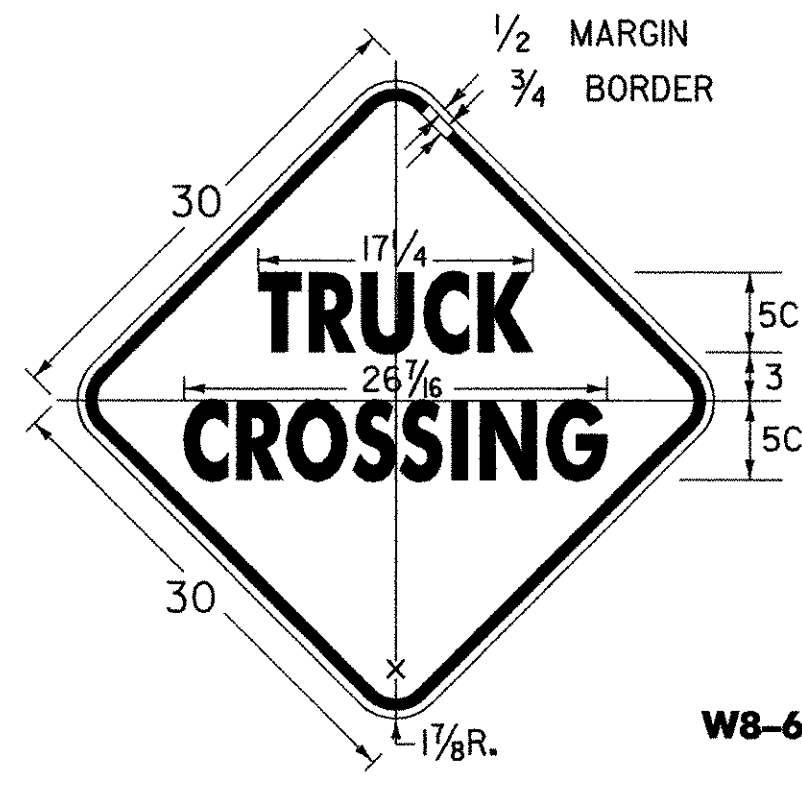
SIGN	DIMENSIONS (INCHES)														
	A	B	C	D	E	F	G	H	J	K	L	M	N	P	Q
STD. & MIN.	36	5/8	7/8	4 23/32	2 1/4	7 1/2	5/32	5 1/4	16 7/8	12 3/8	7 7/8	5 1/4	1 1/16	3 5/16	2 1/4
SPECIAL	48	3/4	1 1/4	6 5/16	3	10	3/16	7	22 1/2	16 1/2	10 1/2	7	2 1/4	5 1/4	3



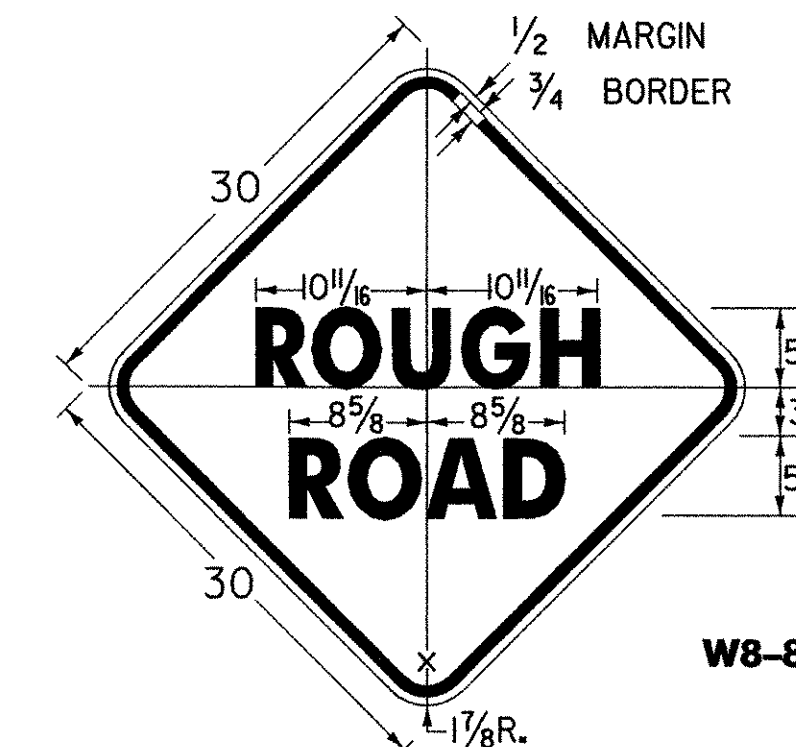
W8-1



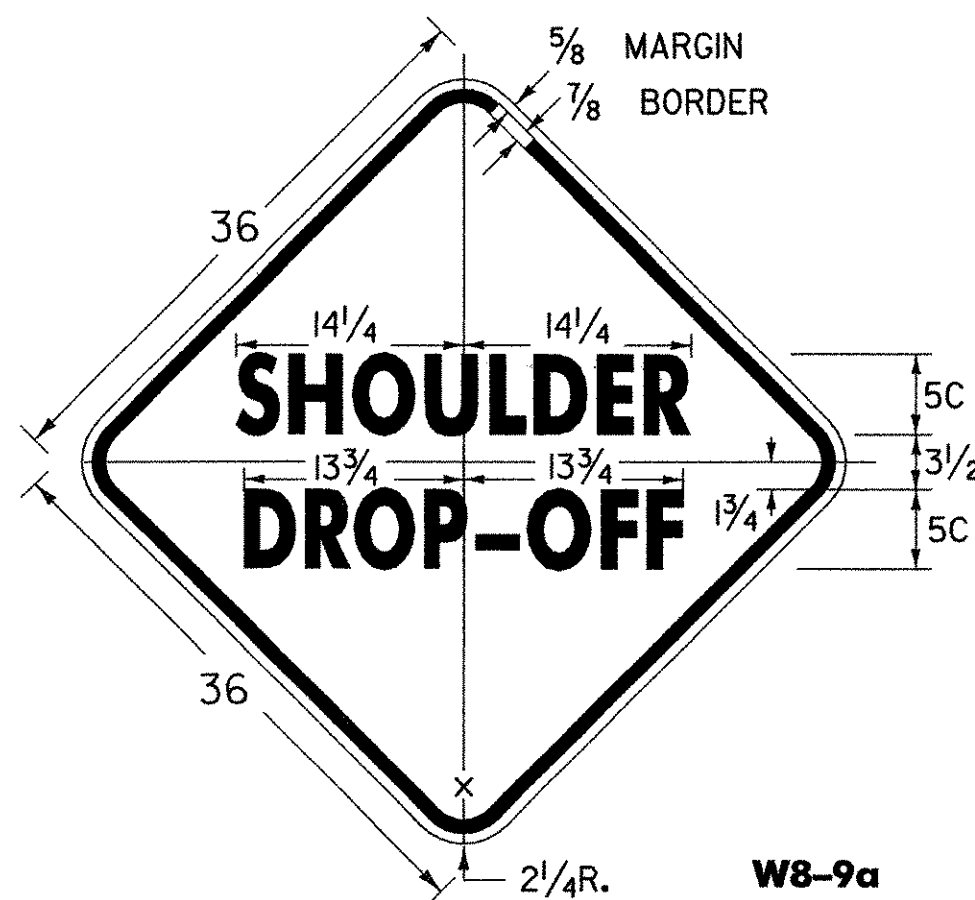
W8-3



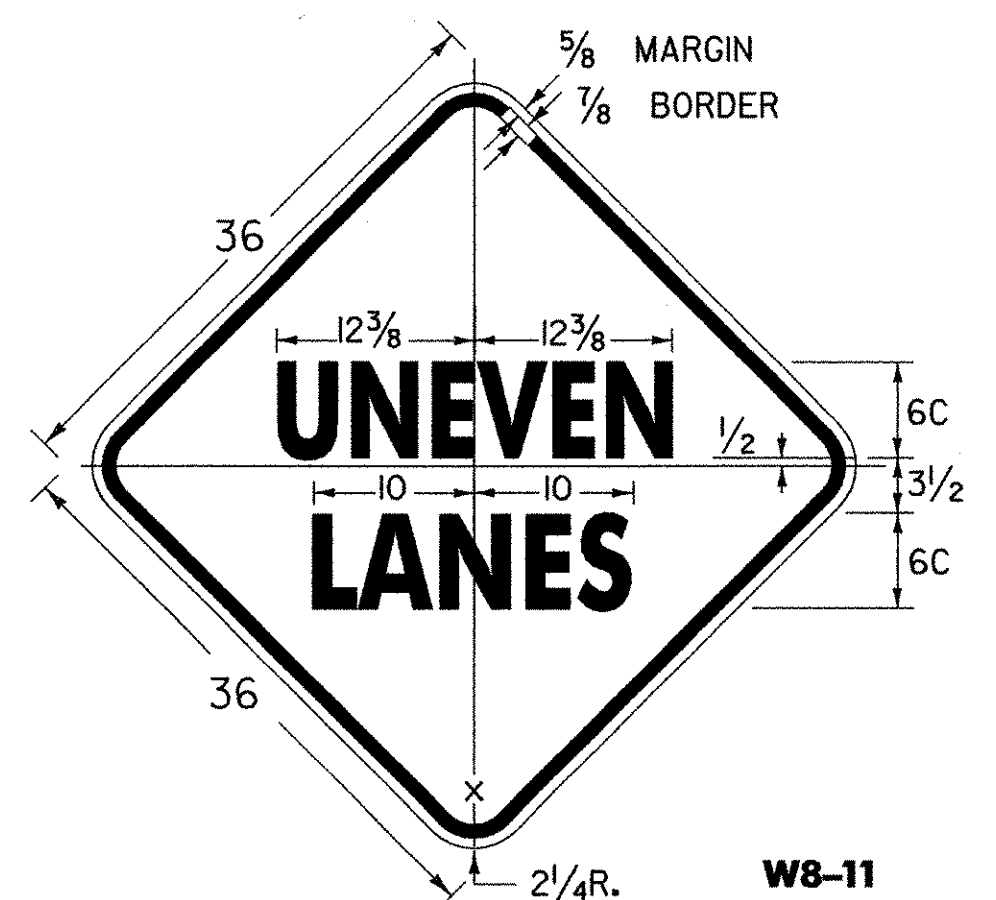
W8-6



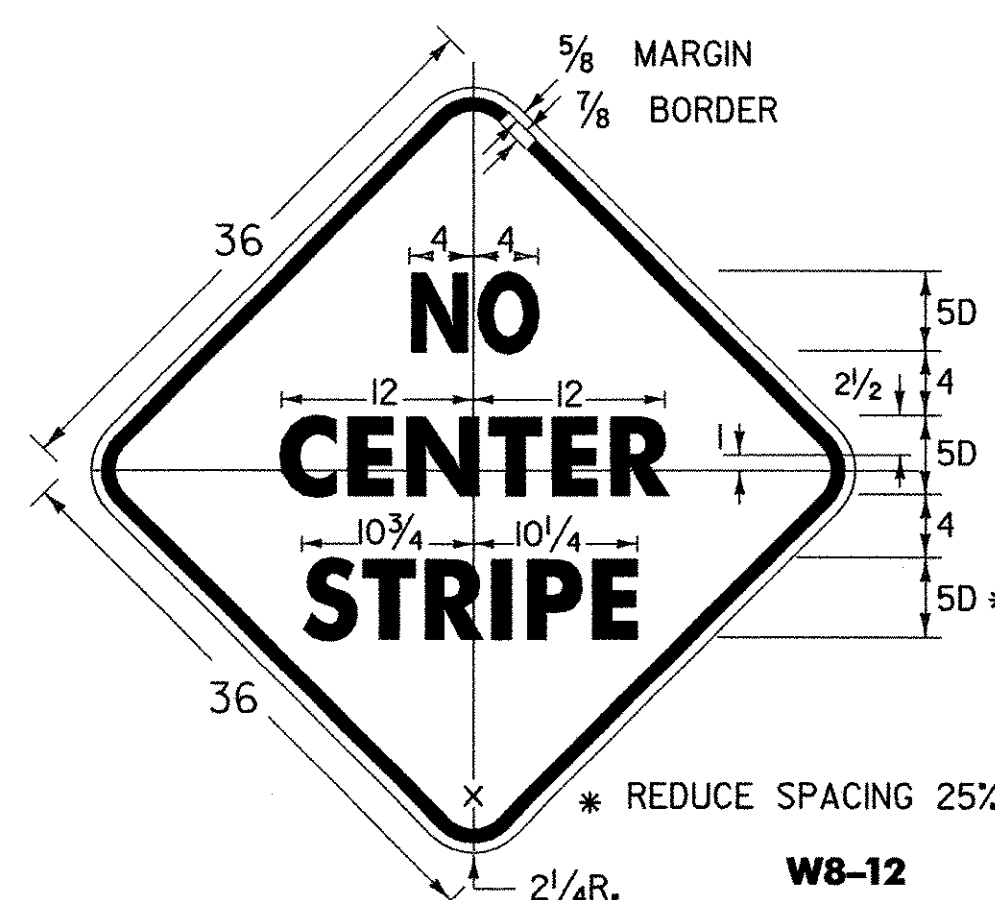
W8-8



W8-9a

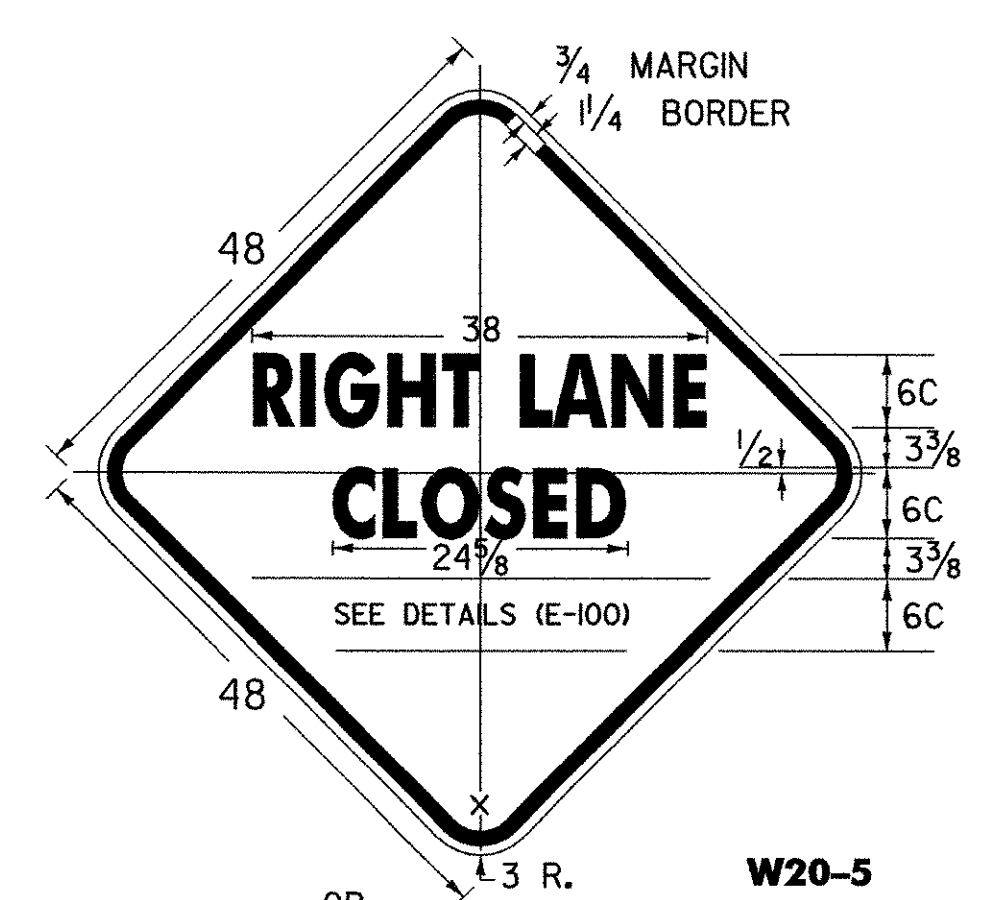


W8-11

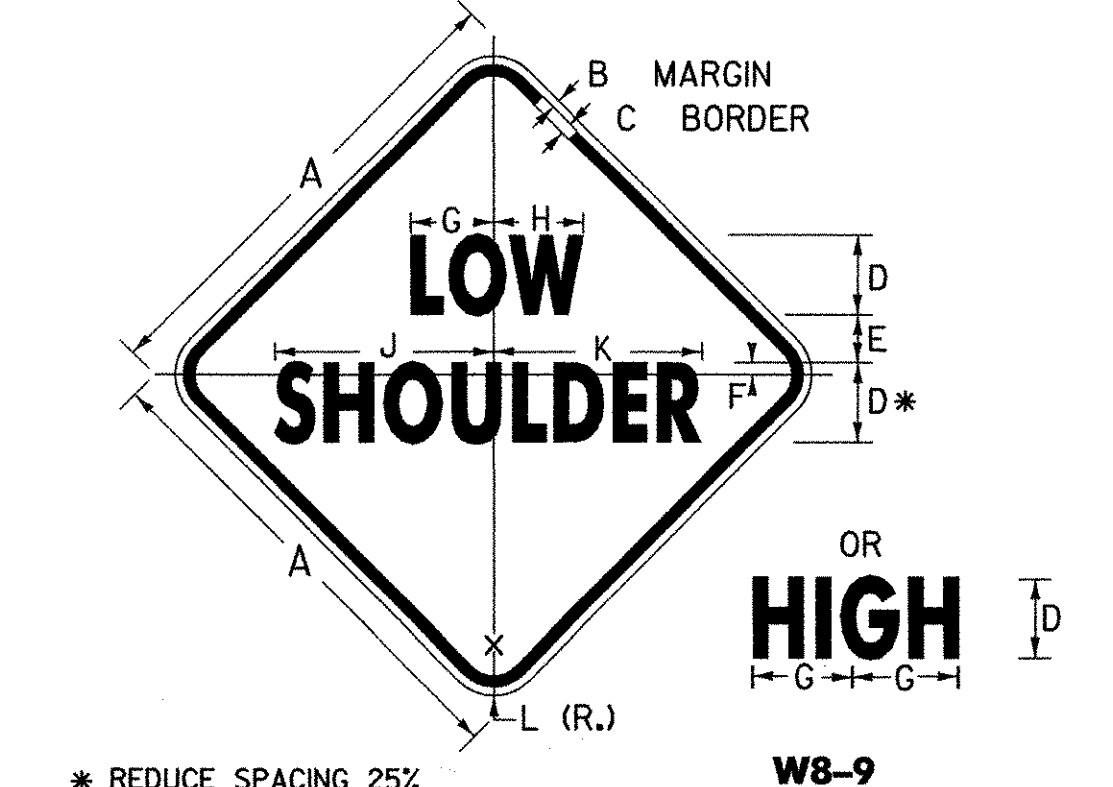


W8-12

\* REDUCE SPACING 25%



W20-5



W8-9

\* REDUCE SPACING 25%

SIGN	DIMENSIONS (INCHES)										
	A	B	C	D	E	F	G	H	J	K	L
STD.	30	1/2	3/4	5 C	3	3/4	5 5/8	5 5/8	13 5/8	13 5/8	1 1/8
FWY.	48	3/4	1 1/4	8 C	5	1 1/4	8 1/4	9	21 5/8	20 5/8	3

**NOTES**

SEE STANDARD SHEET E-100 FOR NOTES AND TEXT DETAILS  
 COLORS FOR SIGNS SHOWN ON THIS SHEET SHALL BE BLACK TEXT,  
 BORDER AND SYMBOLS ON ASTM TYPE III OR TYPE VI  
 RETROREFLECTORIZED ORANGE BACKGROUND, UNLESS OTHERWISE NOTED.

(ALL DIMENSIONS SHOWN IN INCHES)

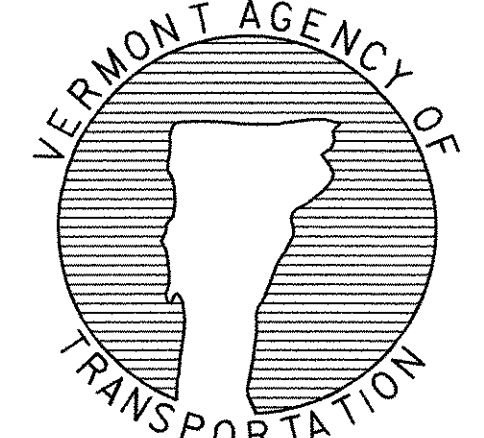
LEFT LANE

OTHER STDS. E-100  
 REQUIRED:

**REVISIONS AND CORRECTIONS**  
 OCT. 30, 1987 - DATE OF ORIGINAL ISSUE  
 OCT. 21, 1992 - ADDED ADDITIONAL SIGN DIMENSIONS,  
 REVISED CHEVRON BACKGROUND TO ORANGE,  
 & REVISED TITLE BLOCK  
 AUG. 08, 1995 - ADDED AND DELETED VARIOUS  
 SIGN DETAILS  
 MAR., 10 1997 - REVISED SIGN DETAILS  
 MAY 30, 2003 - CHANGED REFLECTIVE SHEETING TO ASTM  
 TYPE III OR TYPE VI

APPROVED  
  
 DIRECTOR OF PROGRAM DEVELOPMENT  
  
 TRAFFIC OPERATIONS ENGINEER  
 FEDERAL HIGHWAY ADMINISTRATION

CONSTRUCTION SIGN  
 DETAILS



STANDARD  
 E-101