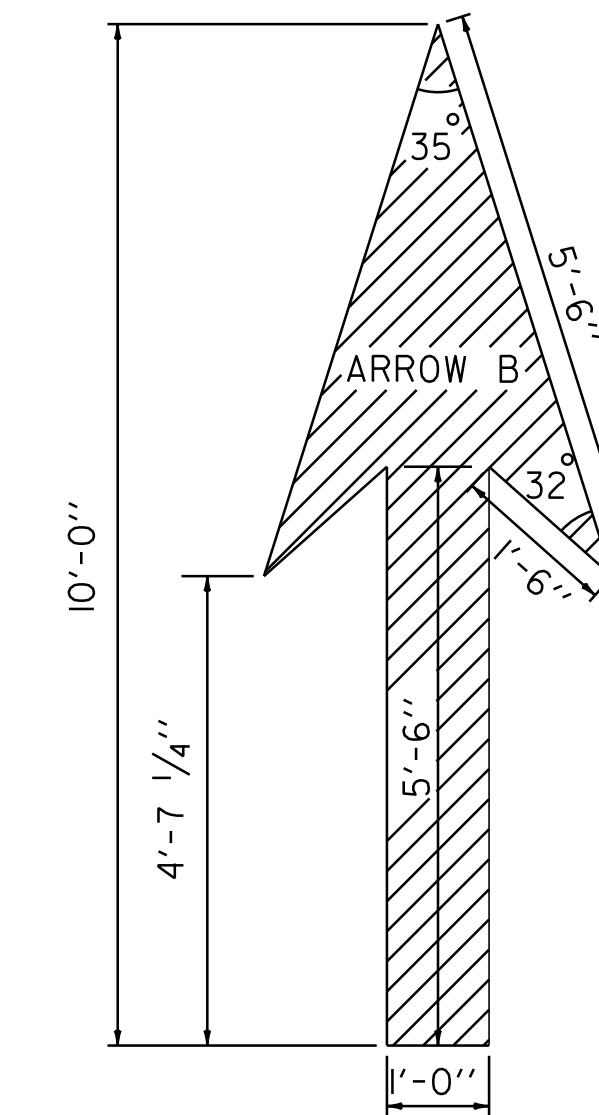
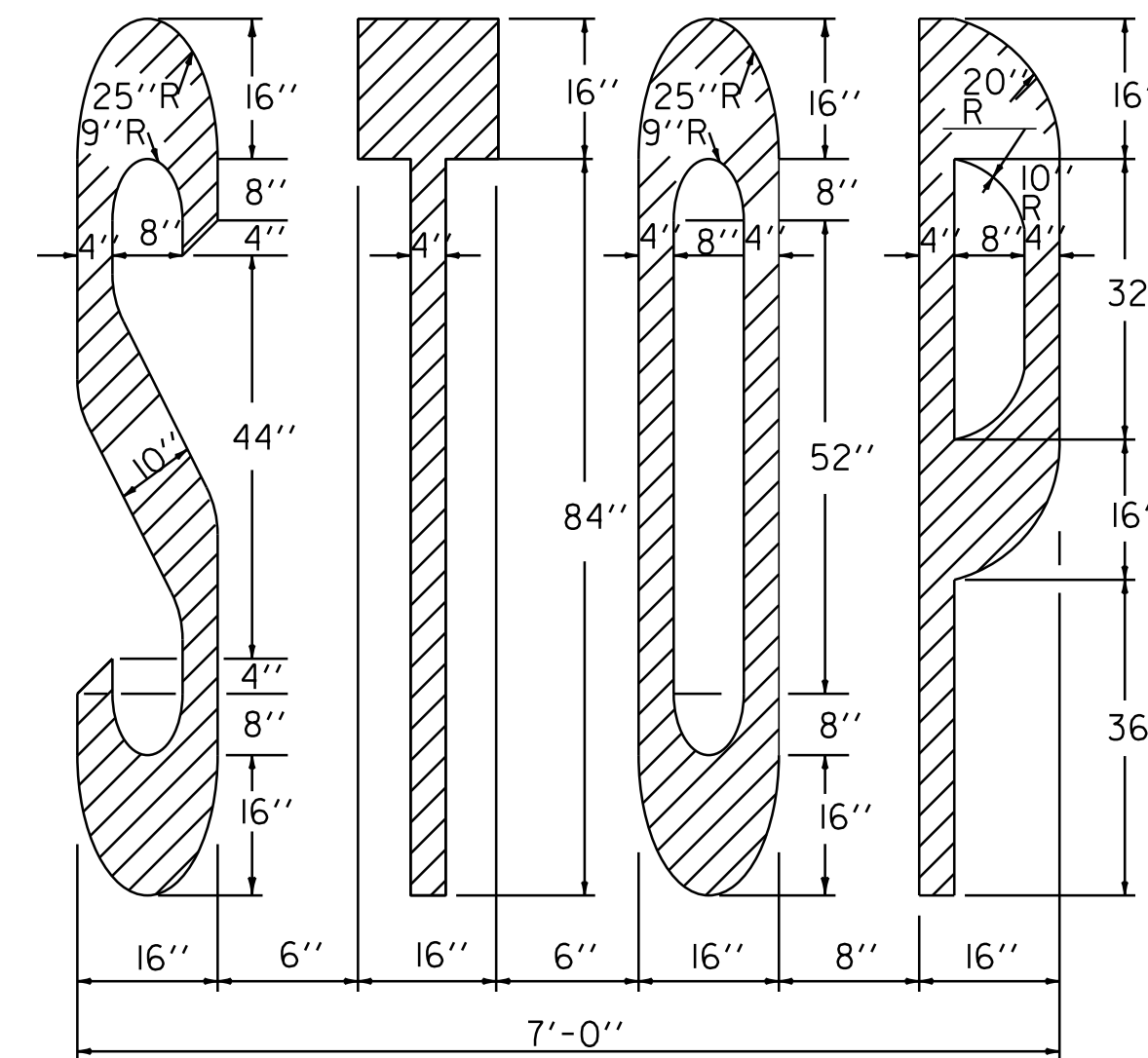
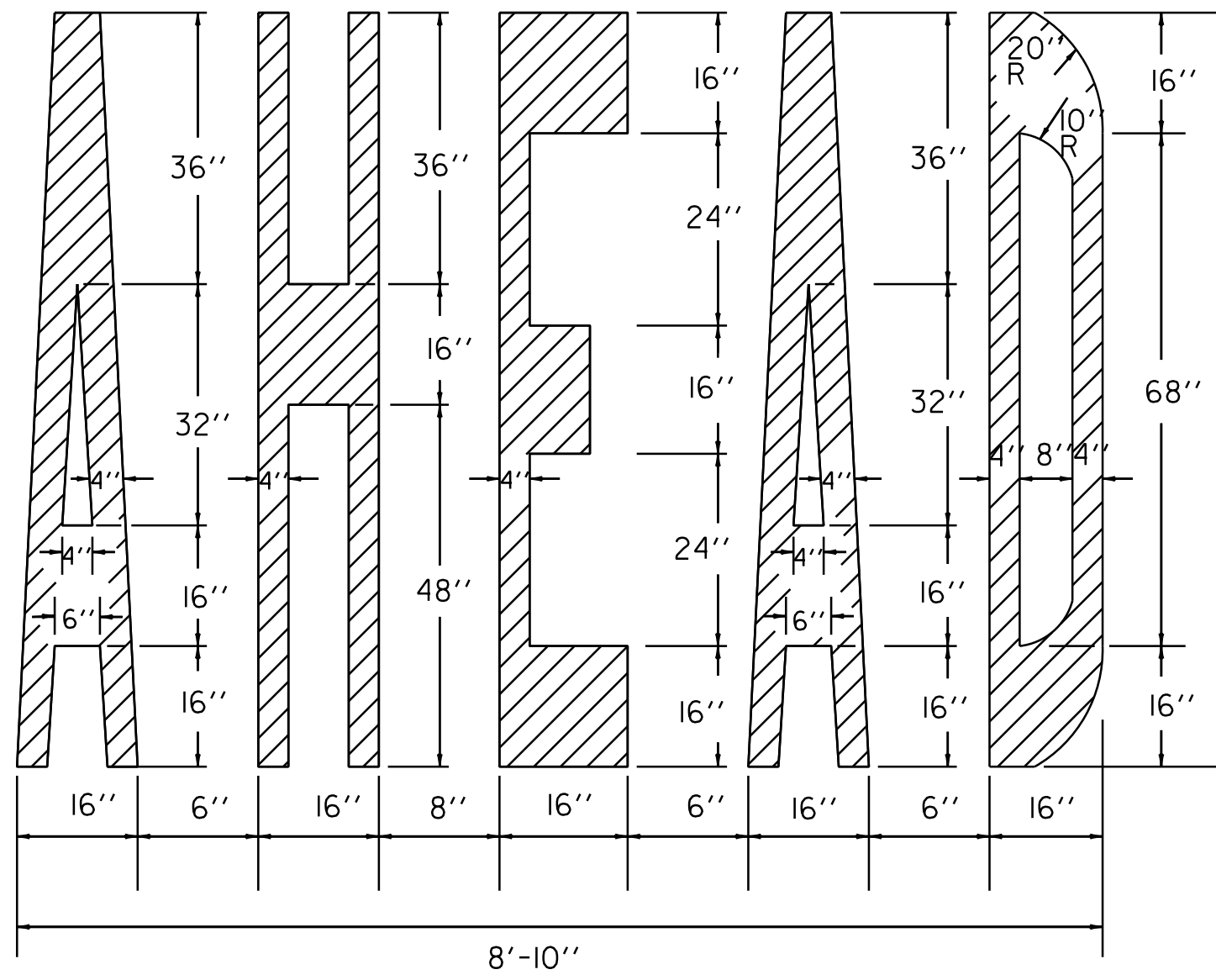
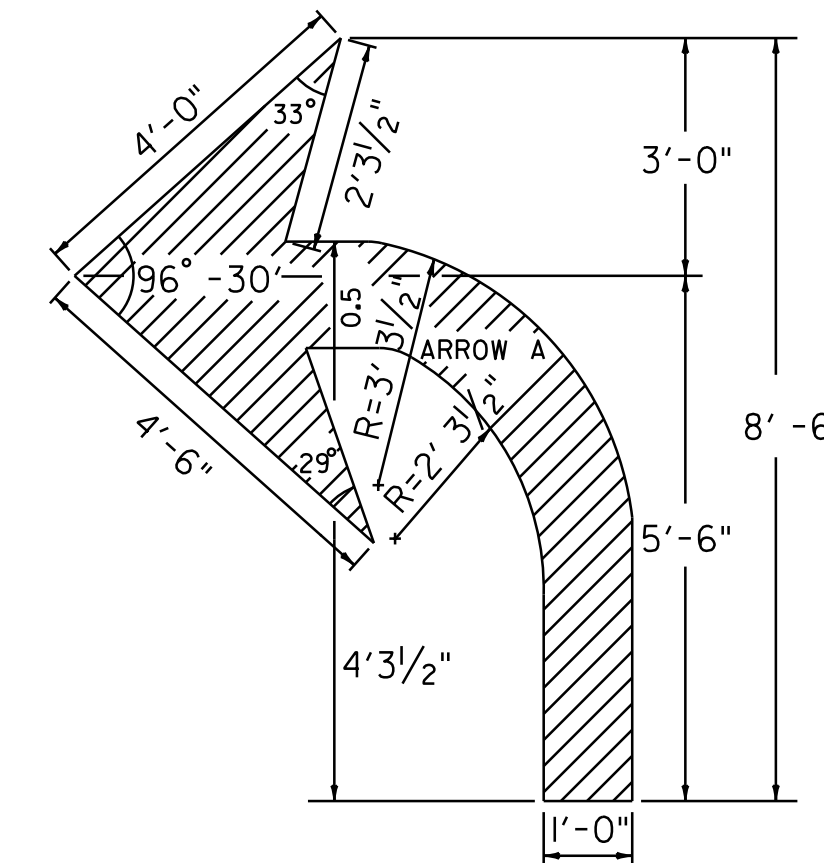
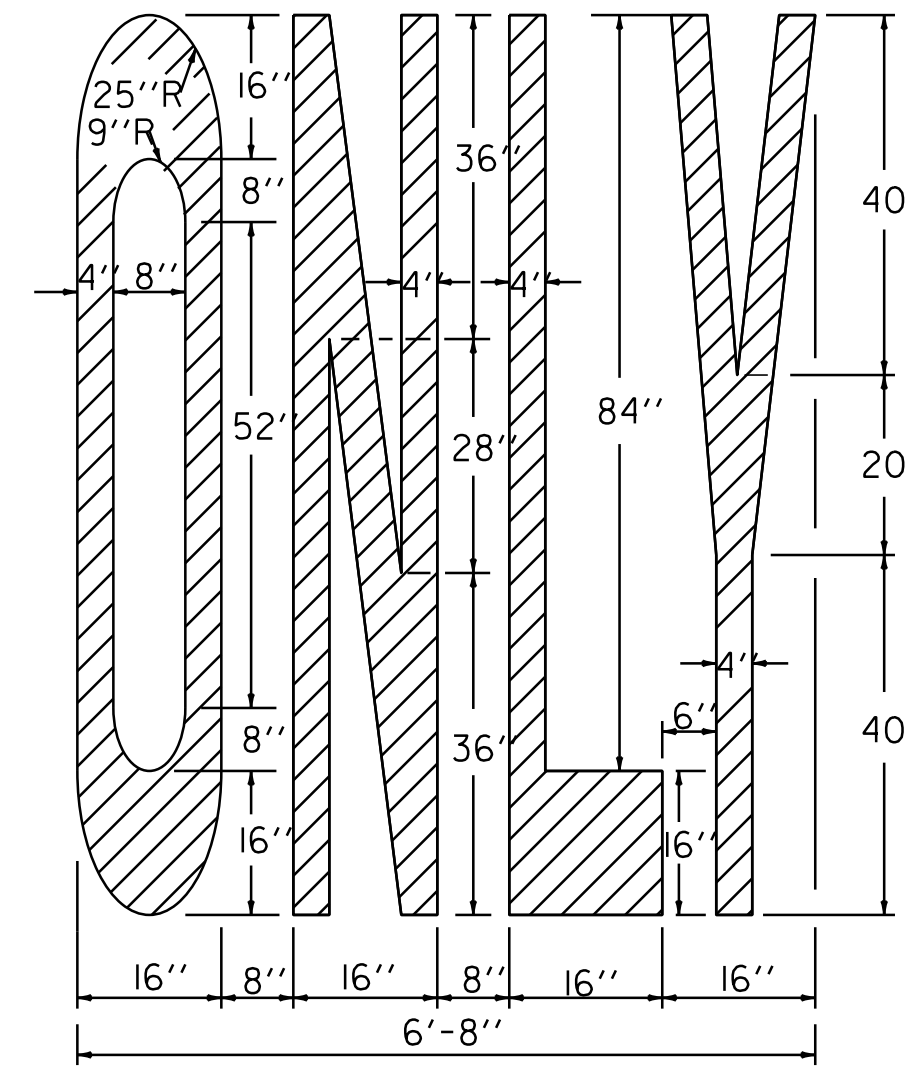
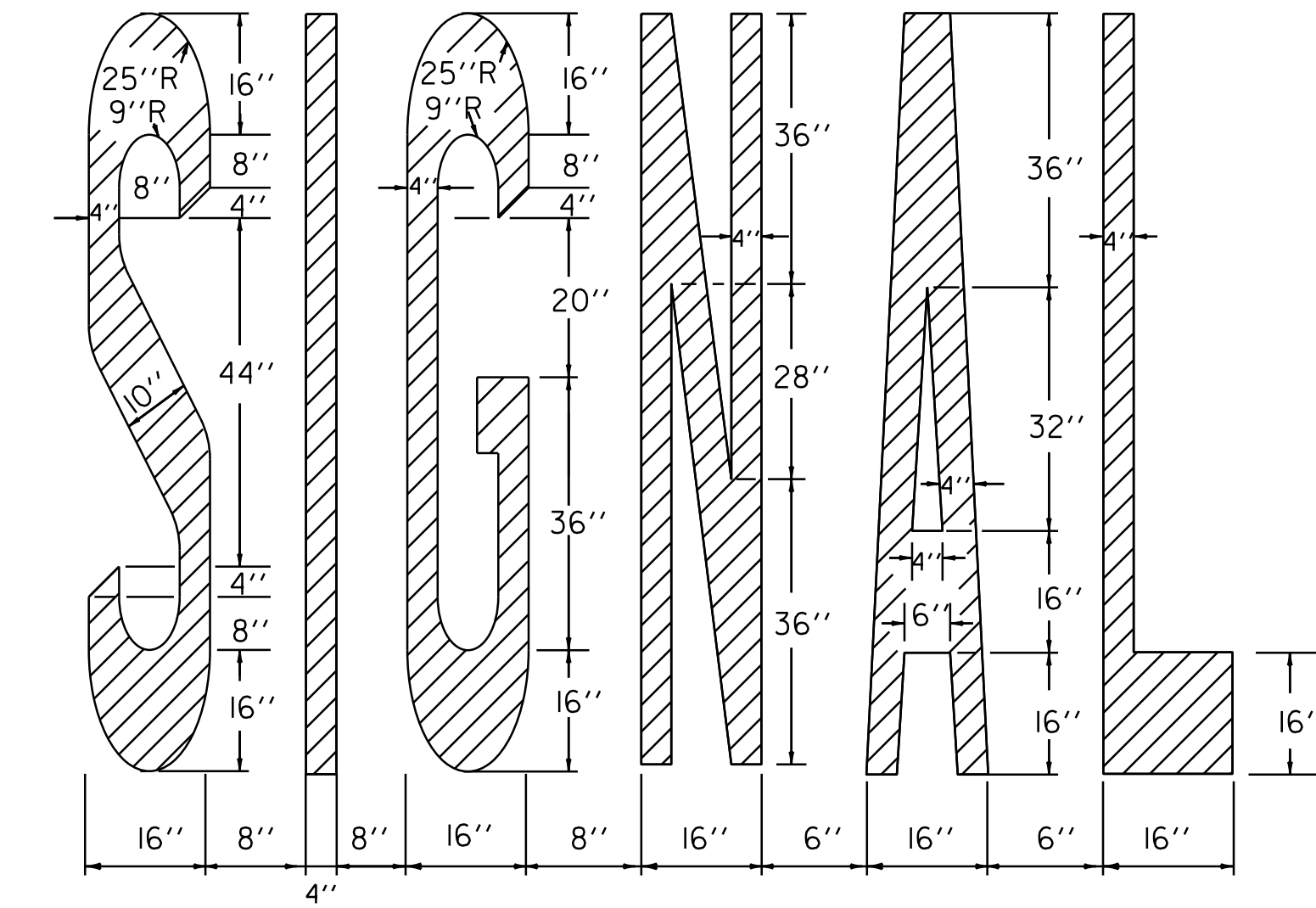
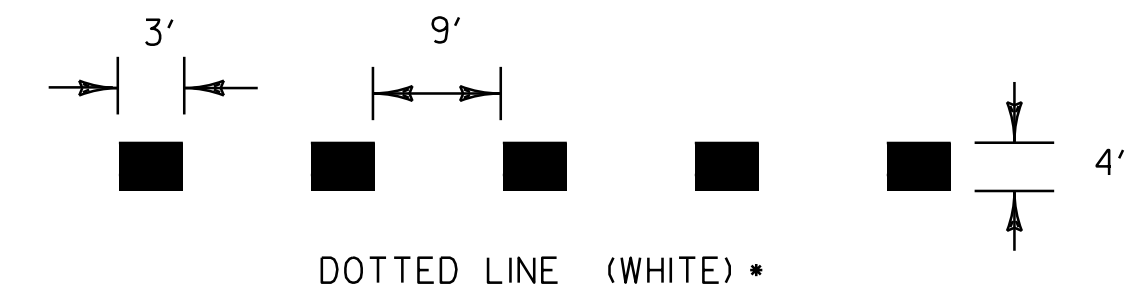


• TO BE INSTALLED ONLY AT THE DIRECTION OF THE RESIDENT ENGINEER



**PAVEMENT MARKING DETAILS**

**ARROW DETAILS**

NOT TO SCALE

**PAVEMENT MARKING DETAIL SHEET 2**

PROJECT NAME: FAIR HAVEN-RUTLAND TOWN

PROJECT NUMBER: NH SURF(22)

FILE NAME: I0b106/I0b106.dgn

PROJECT LEADER: M. FOWLER

DESIGNED BY: PVT. MGT.

I0b106\*10.i.

PLOT DATE: 31-MAY-2013 11:55

DRAWN BY: PVT. MGT.

CHECKED BY:

SHEET 10 OF 24