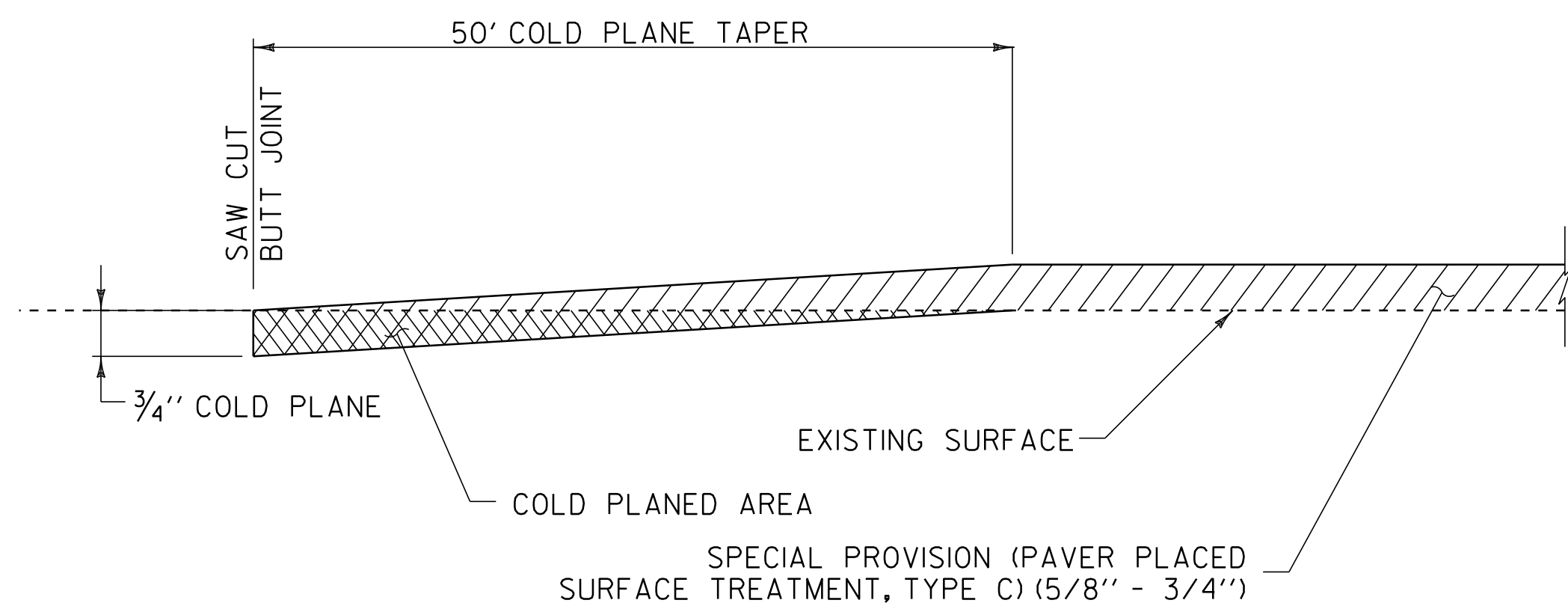
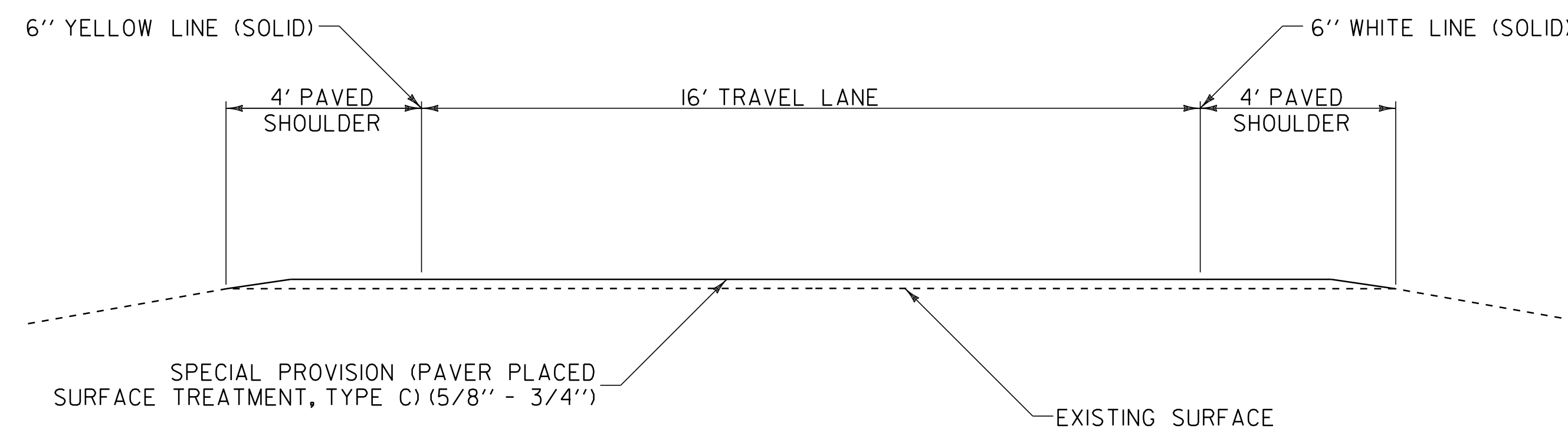


TYPICAL SECTION - ALTERNATE A
PAVER PLACED SURFACE TREATMENT TYPE C
US RTE. 4 EASTBOUND MM 0.190 - MM 18.805
US RTE. 4 WESTBOUND MM 0.195 - MM 18.805
0.578

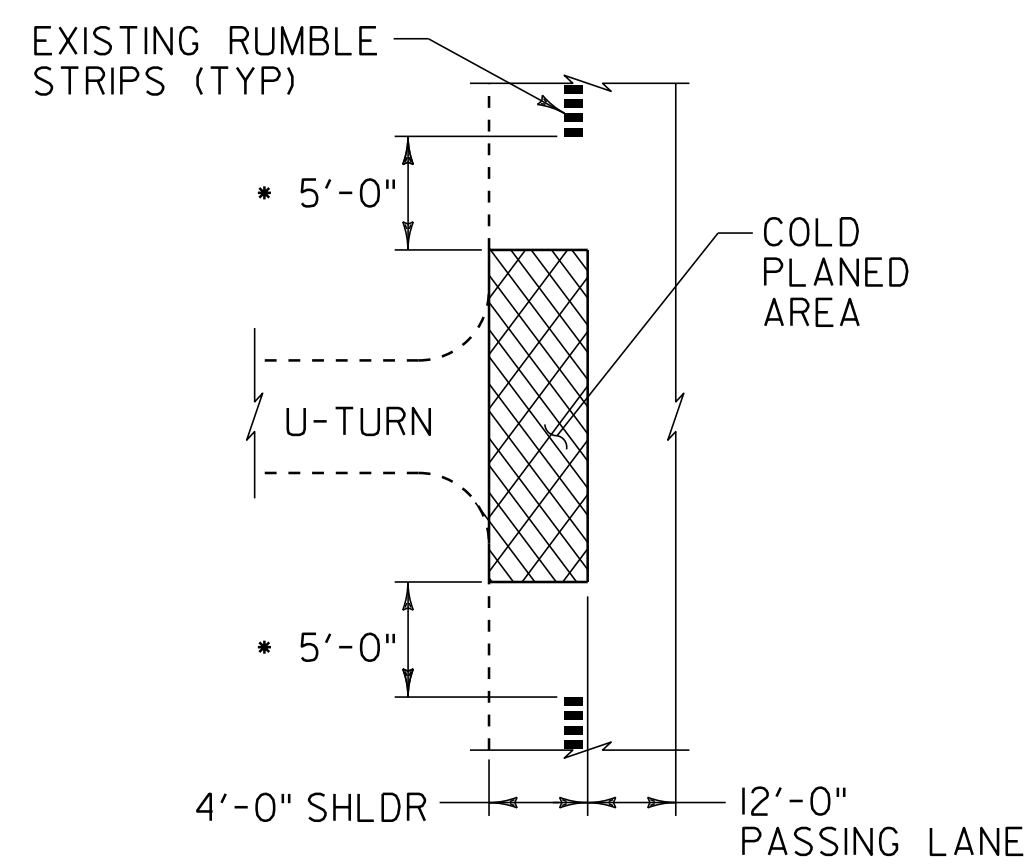


COLD PLANE DETAIL AT BEGIN/END PROJECT & RAMPS

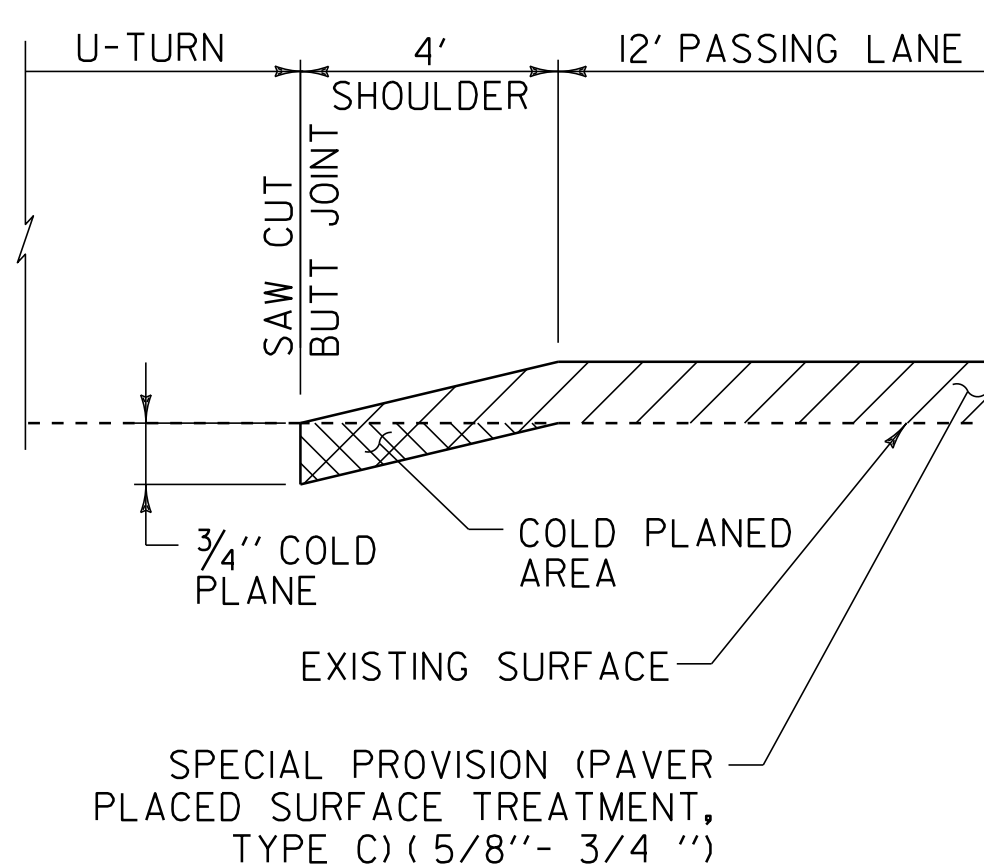
NOTES:
 1. SURFACE PREPARATION IS REQUIRED ON ALL RAMPS.



TYPICAL RAMP SECTION



* BEGIN COLD PLANING 5'-0" AFTER RUMBLE STRIPS END, AND 5'-0" BEFORE RUMBLE STRIPS BEGIN



COLD PLANE DETAIL AT U-TURNS

NOT TO SCALE

**ALTERNATE A
 TYPICAL
 SECTIONS**

PROJECT NAME: FAIR HAVEN-RUTLAND TOWN
 PROJECT NUMBER: NH SURF (22)
 FILE NAME: 10bi06/10bi06.dgn
 PROJECT LEADER: M. FOWLER
 DESIGNED BY: PVT. MGT.
 IPARM FILE NAME: 10BI06*3.1
 PLOT DATE: 31-MAY-2013 11:55
 DRAWN BY: PVT. MGT.
 CHECKED BY: PVT. MGT.
 SHEET 3 OF 24