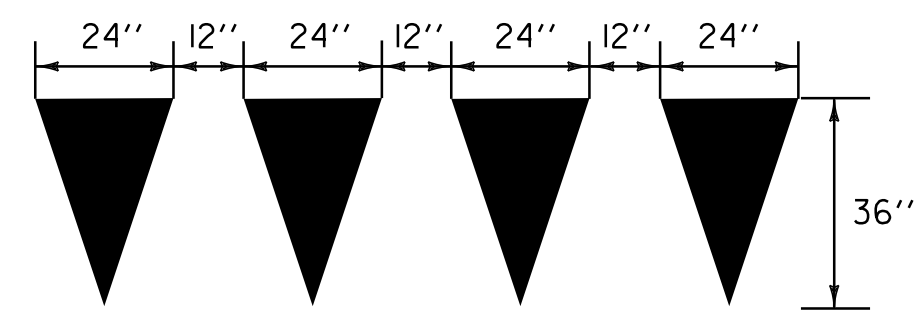


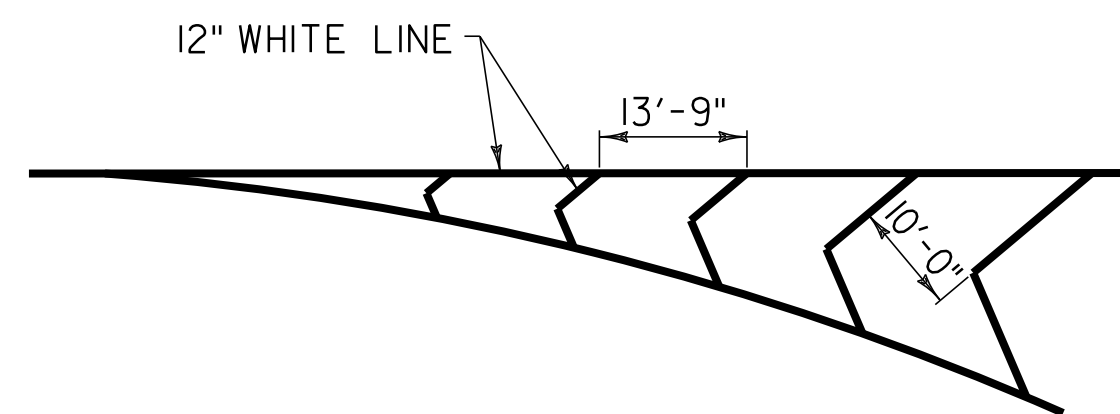
PAVEMENT MARKING LINE DETAILS

SEE MAINLINE AND INTERCHANGE LAYOUT SHEETS FOR LOCATIONS AND MATERIALS



YIELD LINE DETAIL

EACH TRIANGLE SHALL BE PAID AS ONE EACH LETTER OR SYMBOL.

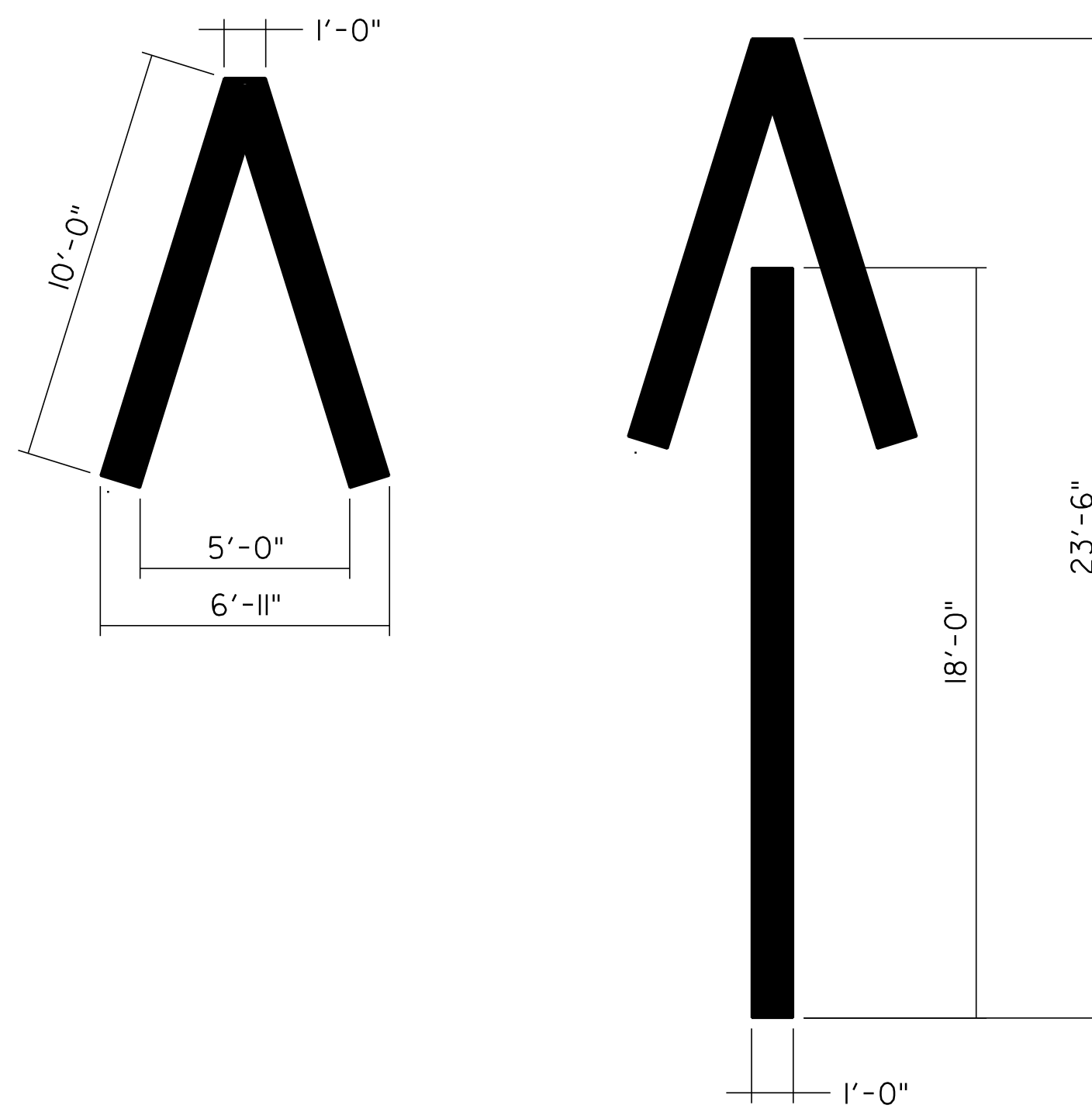


GORE MARKING DETAIL

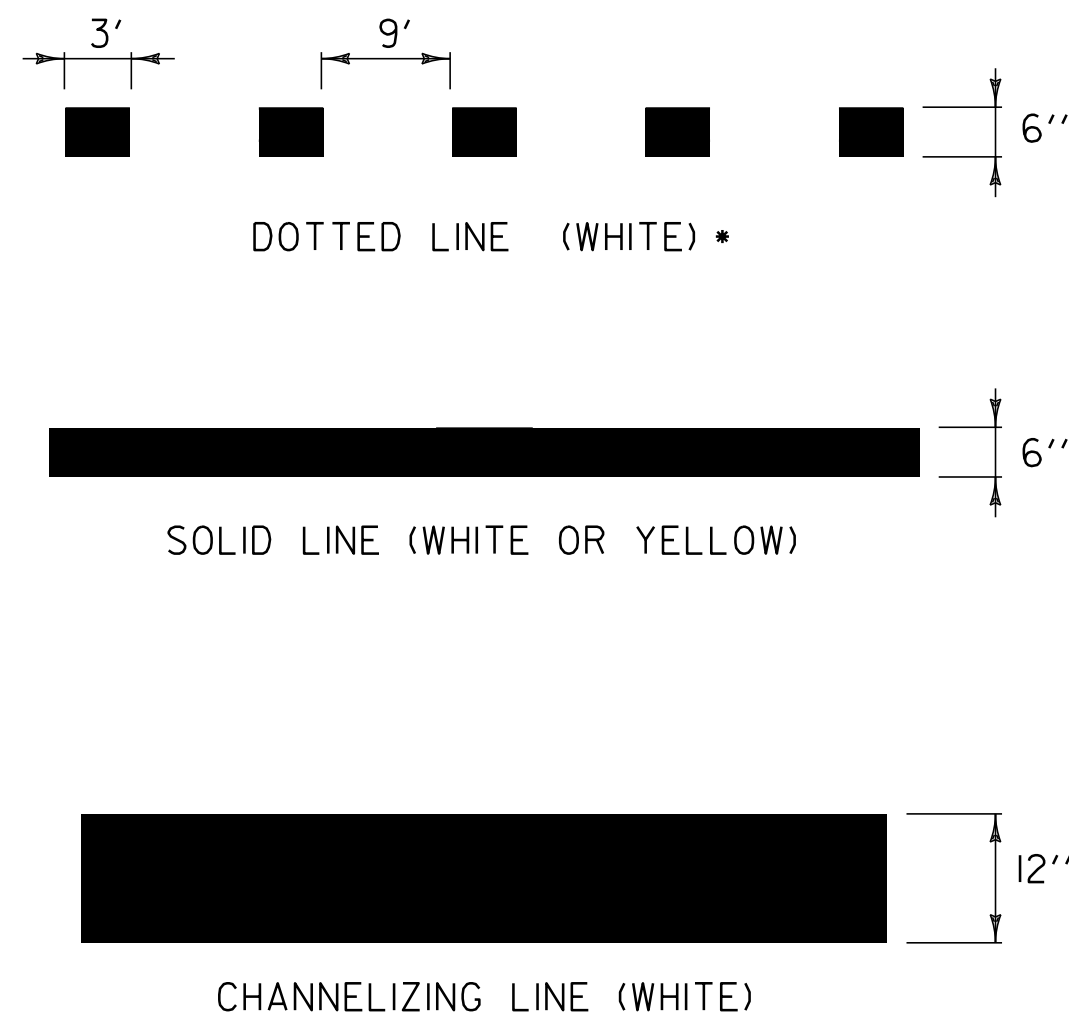
LEGEND



NOTES:
 1. TWO (2) APPLICATIONS OF FINAL PAVEMENT MARKINGS WILL BE REQUIRED ON ALL ALTERNATIVE TREATMENTS.
 THE FIRST APPLICATION WILL BE IMMEDIATELY FOLLOWING PLACEMENT OF THE WEARING COURSE, THE SECOND
 AND FINAL APPLICATION WILL BE APPLIED NO SOONER THAN 15 SEPTEMBER 2012, AND NO LATER THAN 12 OCTOBER 2012.



WRONG WAY ARROW DETAILS



PAVEMENT MARKING LINE DETAILS

* TO BE INSTALLED AT THE DIRECTION OF THE RESIDENT ENGINEER

TURN ARROWS SHALL BE PLACED AT THE BEGIN AND END OF THE LEFT OR RIGHT TURN LANE.

IF LANE LENGTH IS LESS THAN 100', TURN ARROWS SHOULD BE PLACED AT THE BEGINNING AND END OF THE LEFT OR RIGHT TURN LANE.

THE "ONLY" WORD MARKINGS SHALL BE USED TO SUPPLEMENT LANE-USE ARROW MARKINGS FOR TURN LANES 100' OR LONGER.

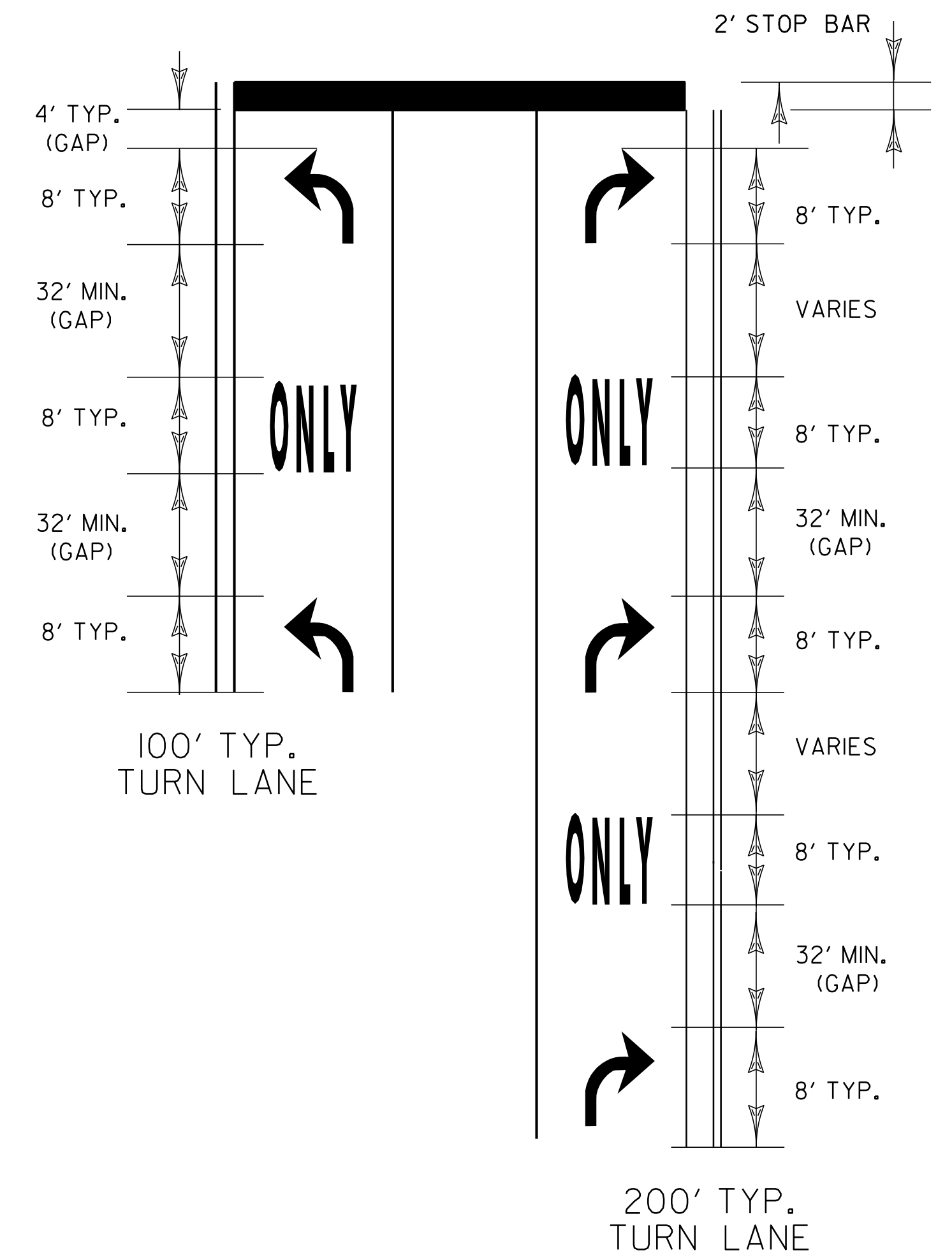
THE LONGITUDINAL SPACE BETWEEN WORD OR SYMBOL MESSAGE MARKINGS, SHOULD BE AT LEAST FOUR TIMES THE HEIGHT OF THE CHARACTERS FOR LOW SPEED ROADS, BUT NOT MORE THAN TEN TIMES THE HEIGHT OF THE CHARACTERS UNDER ANY CONDITIONS.

STOP BARS ARE INSTALLED ONLY WHERE A STOP SIGN OR TRAFFIC SIGNAL ARE LOCATED.

MORE ARROWS AND ONLYS ARE OPTIONAL WHEN SPACE PERMITS. ARROW MARKINGS START AT THE BEGINNING OF THE SOLID LANE LINE.

EXCLUSIVE TURN LANES (LEFT OR RIGHT) LANE LINES SHALL BE SOLID AND EXTEND BACK FROM THE STOP LINE TO THE POINT OF FULL LANE WIDTH OF THE TURN LANE. 3' DOTS WITH A 9' SPACE SHOULD BE EXTENDED THE FULL LENGTH OF THE LANE TAPER.

TYPICAL MARKINGS FOR TURN LANES



NOT TO SCALE

PAVEMENT MARKING DETAIL SHEET 1

PROJECT NAME:	FAIR HAVEN-RUTLAND TOWN
PROJECT NUMBER:	NH SURF (22)
FILE NAME:	10b106/10b106.dgn
PROJECT LEADER:	M. FOWLER
DESIGNED BY:	PVT. MGT.
IPARM FILE NAME:	10B106*9.i
PLOT DATE:	23-MAY-2013 11:41
DRAWN BY:	PVT. MGT.
CHECKED BY:	PVT. MGT.
SHEET	9 OF 24