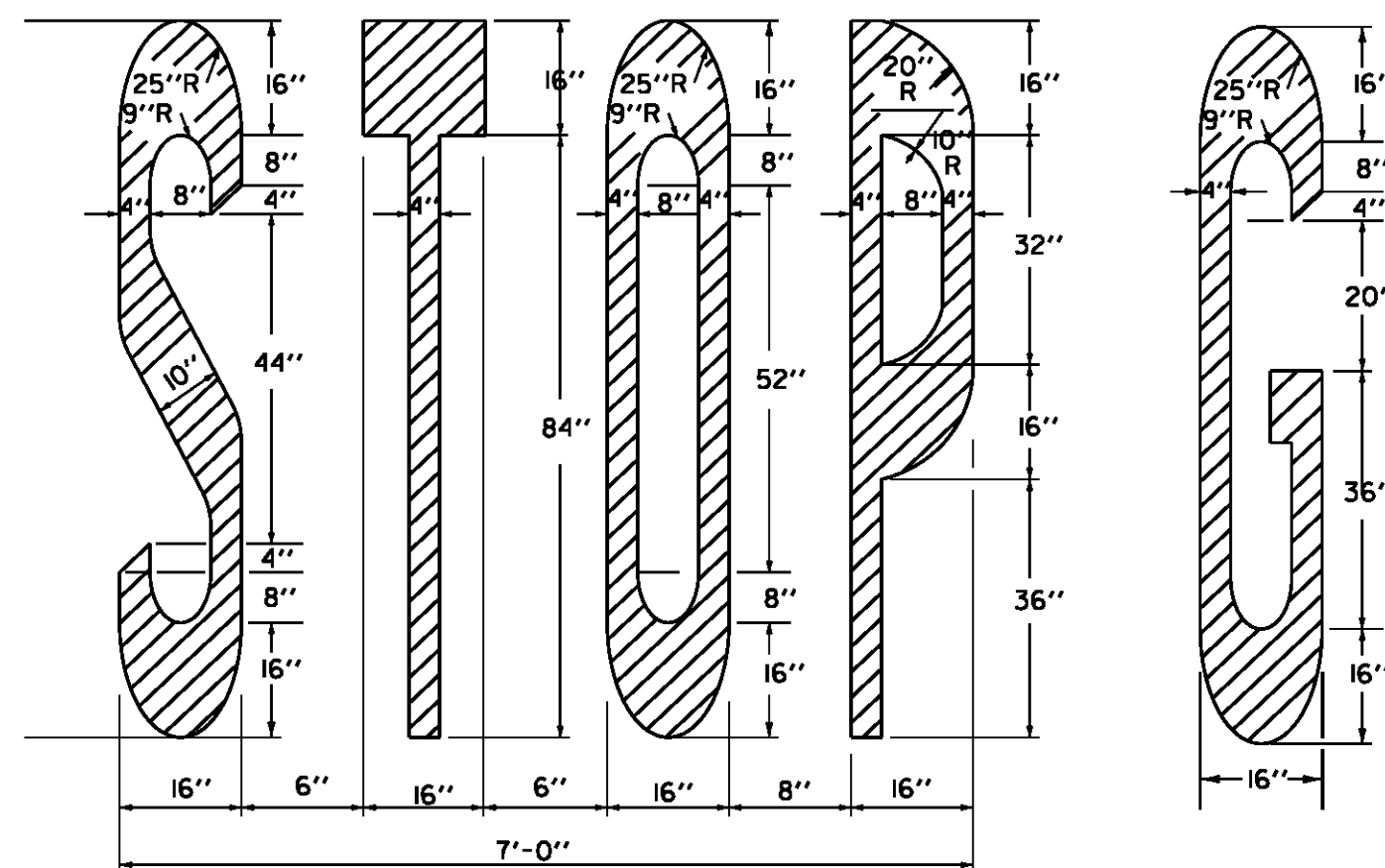
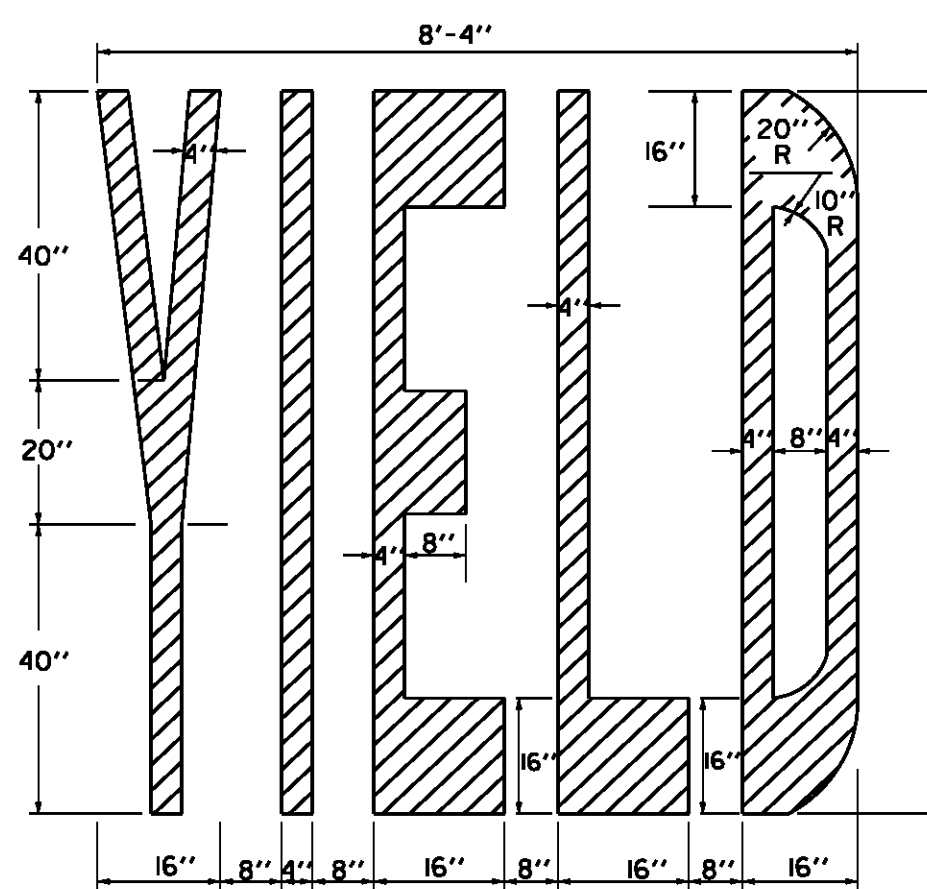
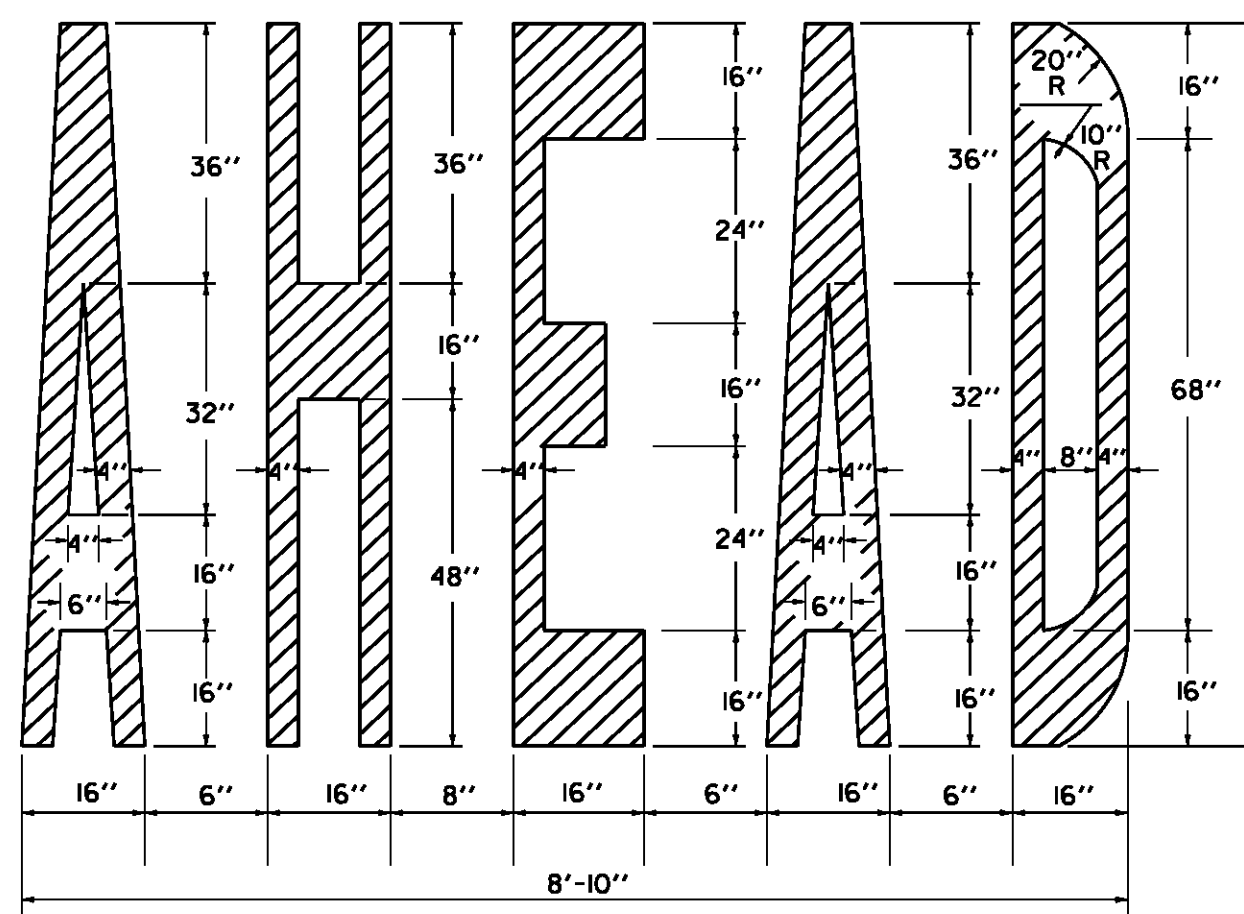
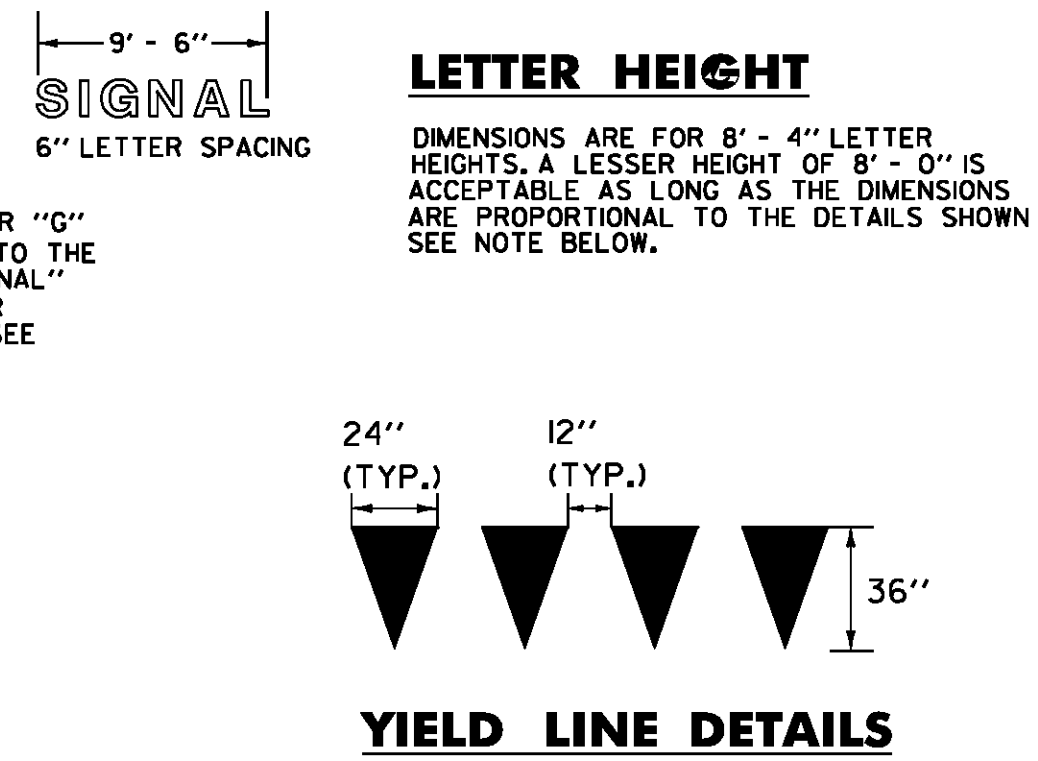


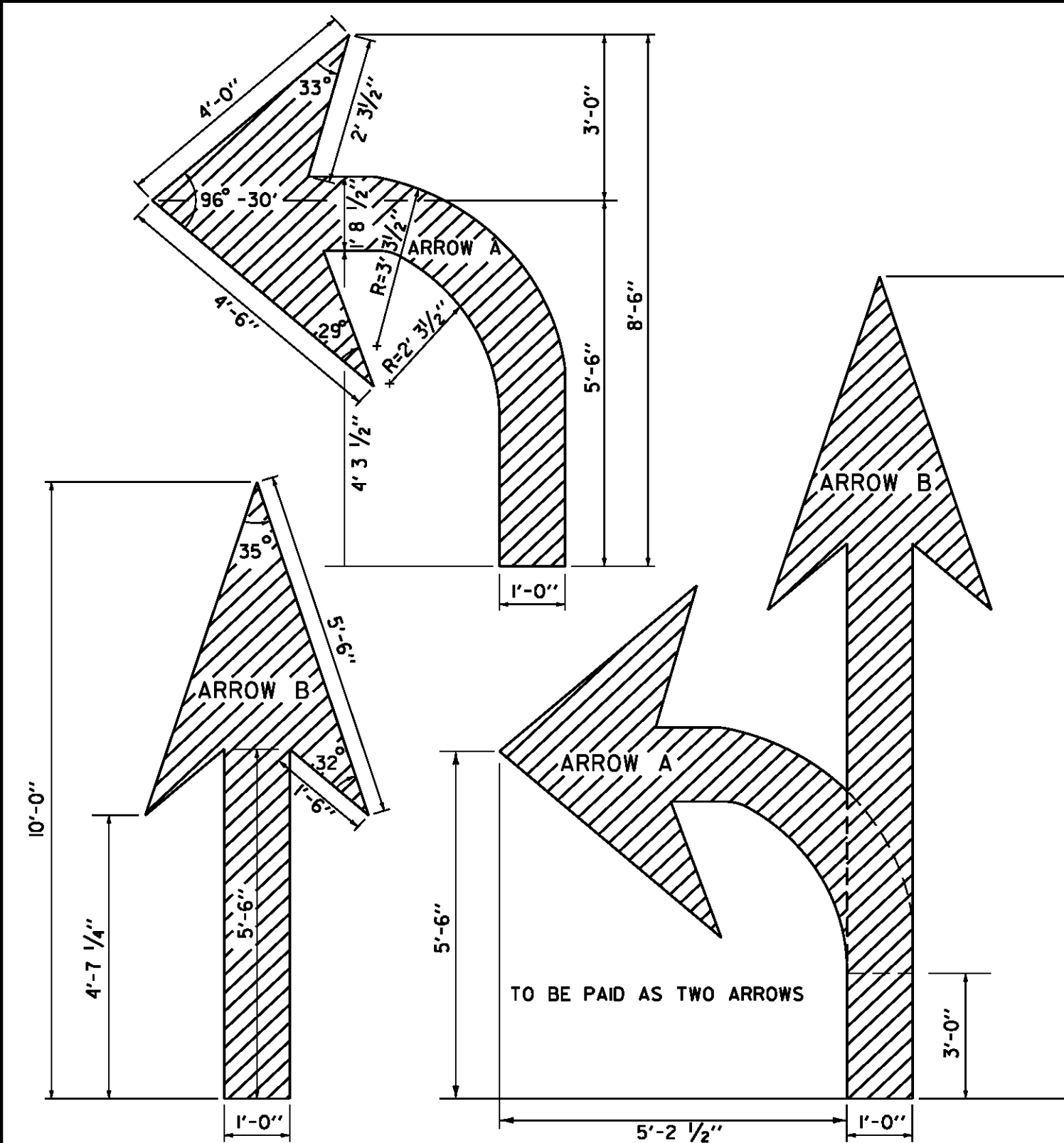
\* (4'-8'') - ADJUST TO AVAILABLE PAVEMENT WIDTH



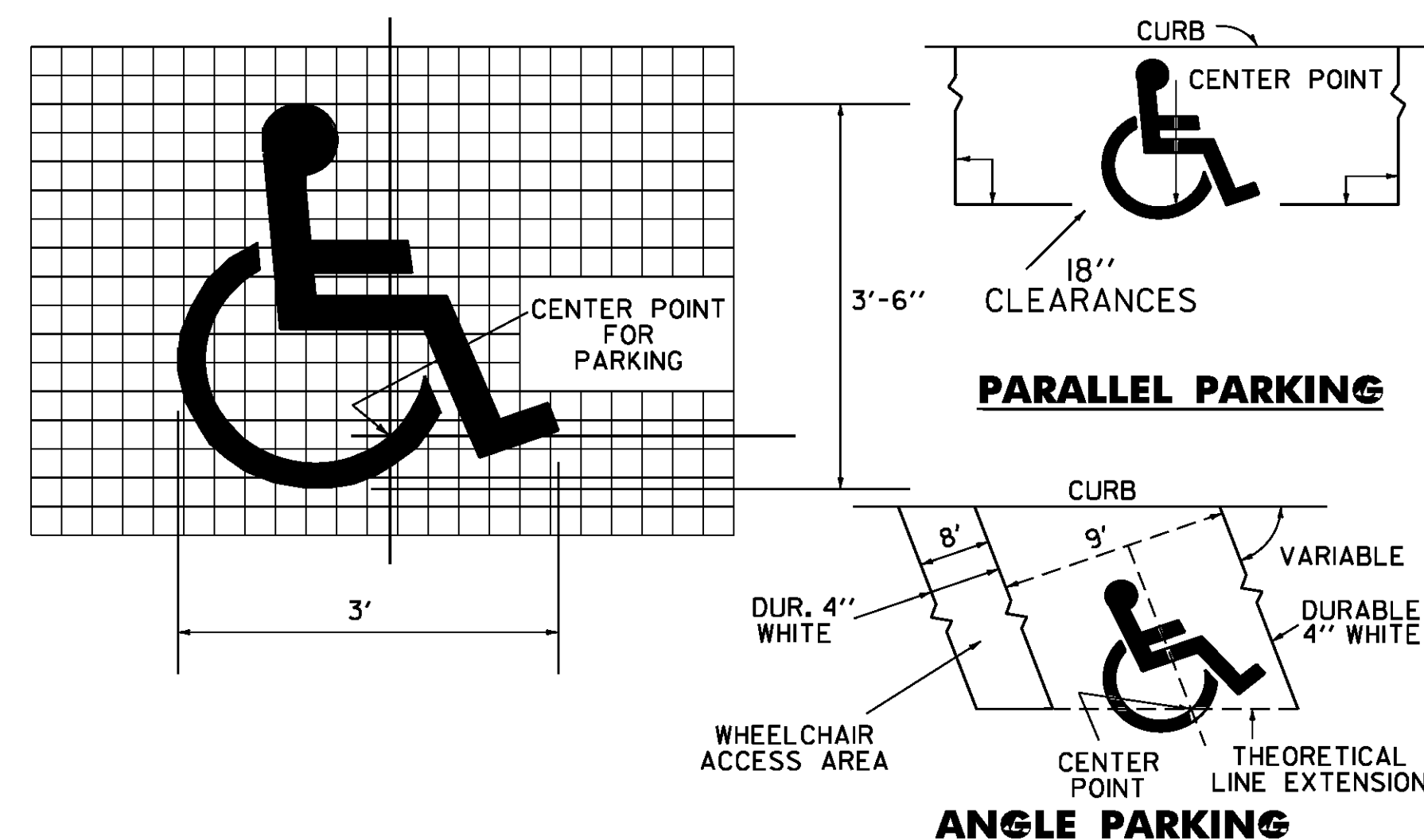
**LETTER IN WORD MARKING AND YIELD LINE DETAILS**



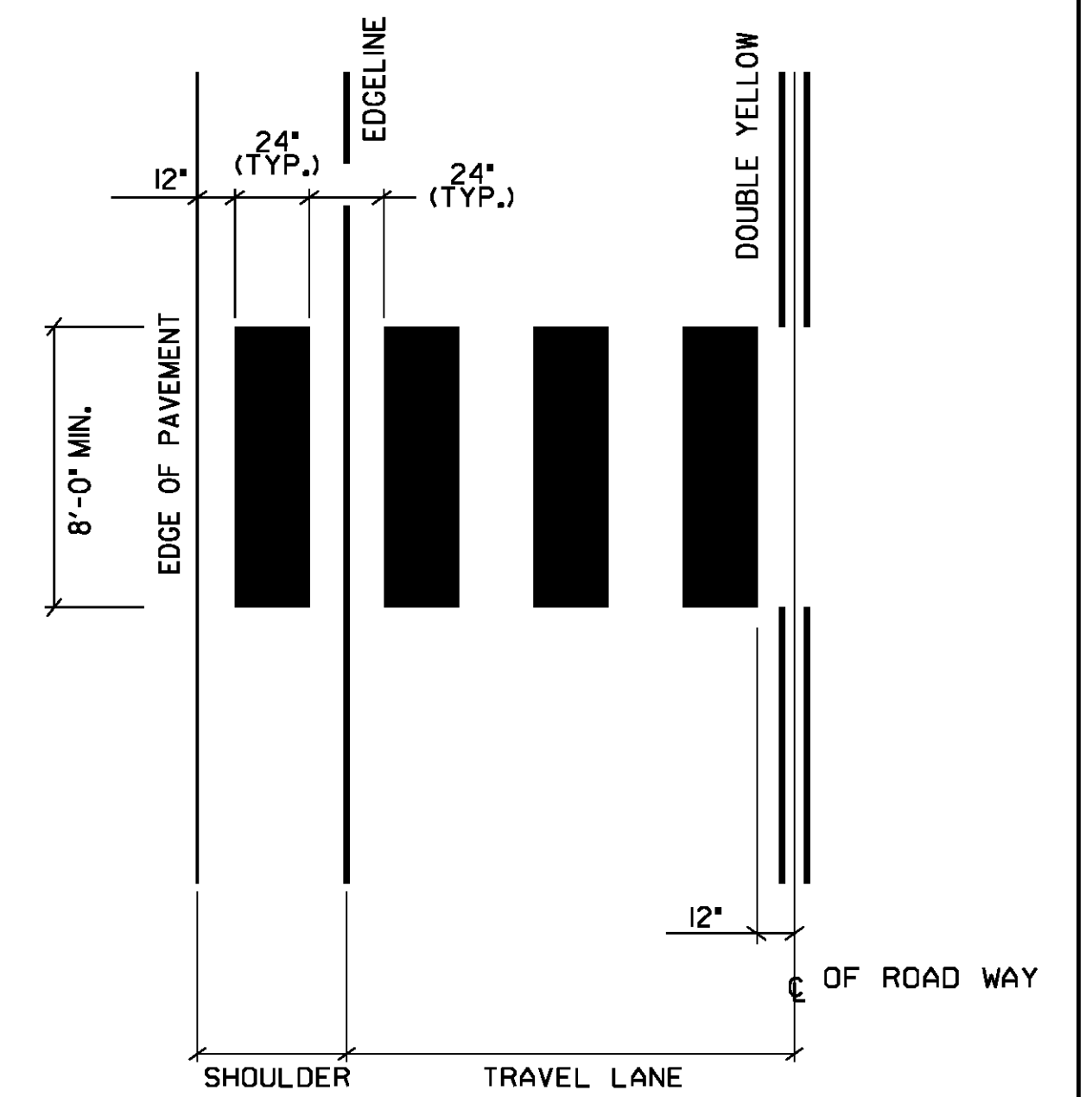
ARROWS AND WORD MARKINGS THAT CONFORM TO THE DIMENSIONS SHOWN ON THIS SHEET OR AS DETAILED IN THE BOOKLET ENTITLED "STANDARD ALPHABETS FOR HIGHWAY SIGNS AND PAVEMENT MARKINGS" AND THE "MANUAL ON UNIFORM TRAFFIC CONTROL DEVICES" (CURRENT EDITION) PREPARED BY THE FEDERAL HIGHWAY ADMINISTRATION WILL BE ACCEPTABLE.



**ARROW DETAILS**



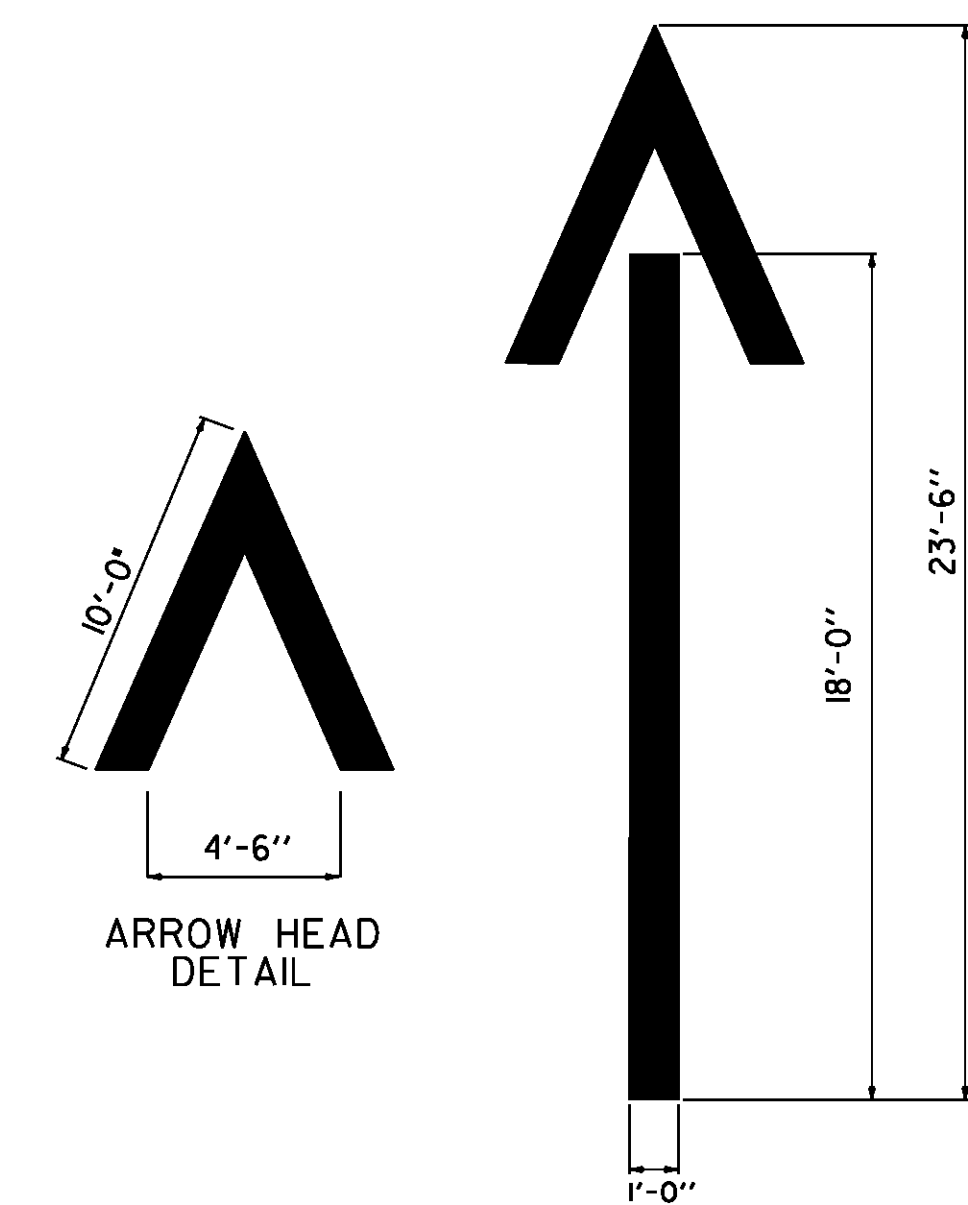
**HANDICAPPED PAVEMENT MARKING DETAILS**



ADJUST SPACING (1 - 2 FT) TO AVOID WHEEL PATHS

**BLOCK PATTERN CROSSWALK DETAIL**

NOTES:  
THE BLOCK PATTERN IS THE VTRANS PREFERRED CROSSWALK MARKINGS. SEE MUTCD FOR APPROVED OPTIONS.



**WRONG WAY ARROW**

NOT TO SCALE

# PAVEMENT MARKING DETAILS

**PAVEMENT MARKING  
DETAILS  
SHEET 2**

PROJECT:	STATEWIDE	PROJECT NO.:	NHG MARK (204)
DESIGN FILE NAME:	10b096.dgn	PLOT DATE:	24-MAY-2010
IPARM FILE NAME:	10b096pm2.i	SURVEY DATE:	
SURVEYED BY:		DRAWN BY:	KAS
SQUAD LEADER:	A GAMBLE	SHEET:	20 OF 24