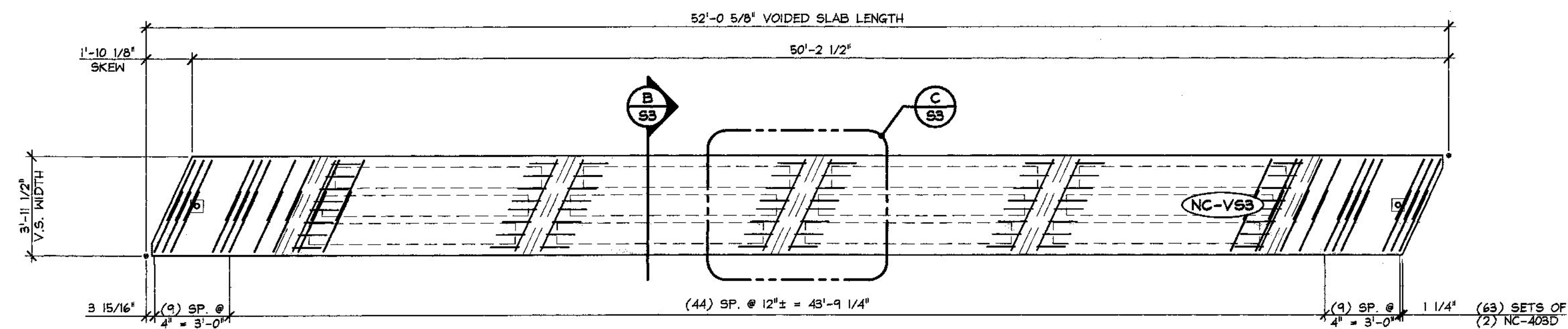
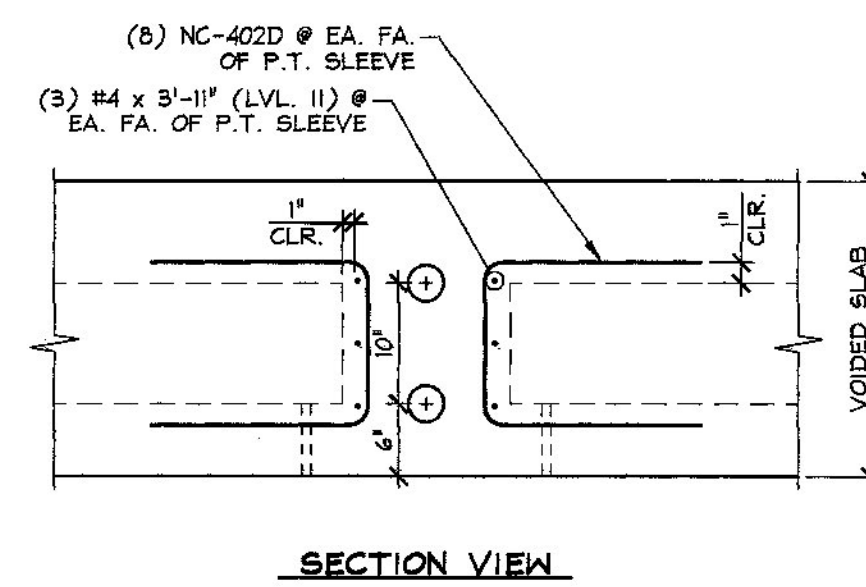
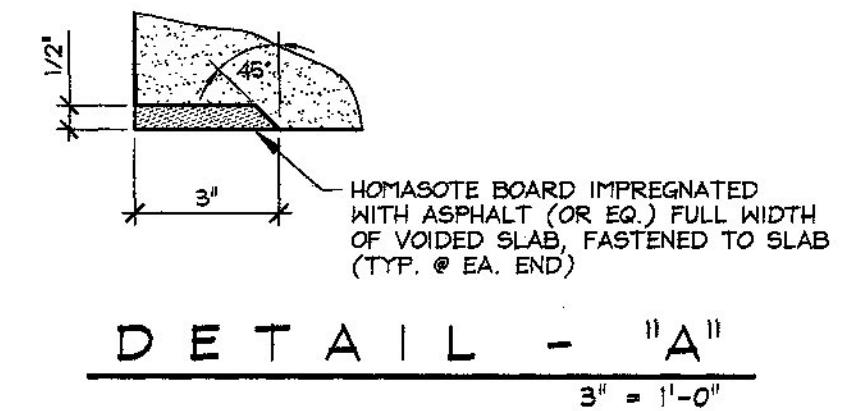
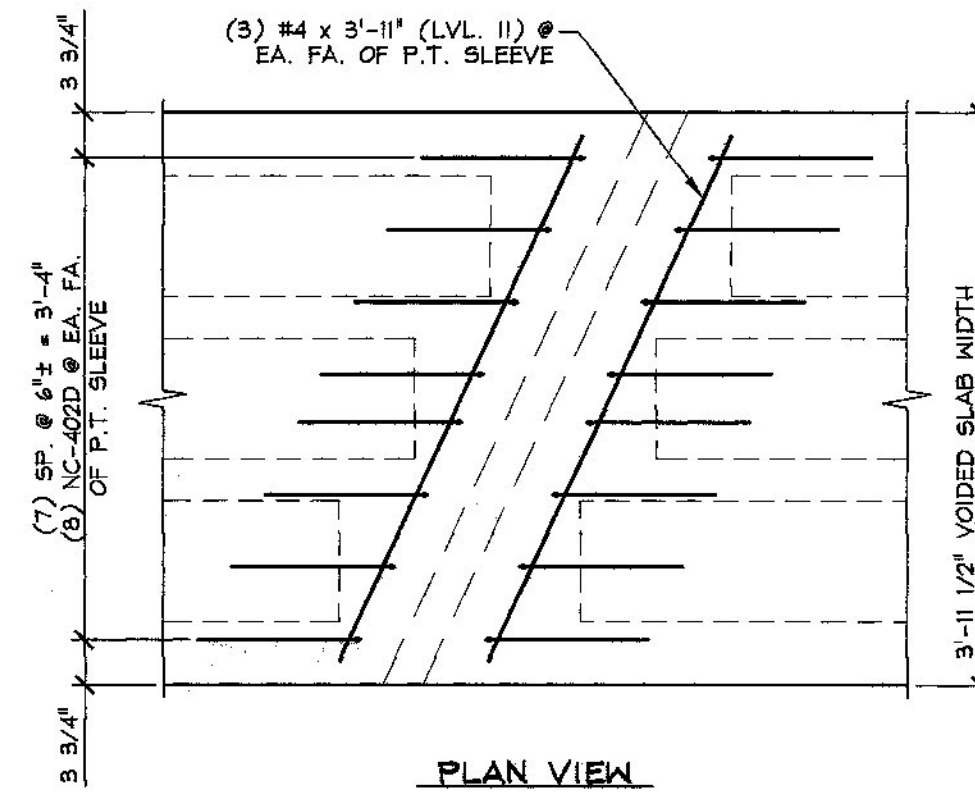


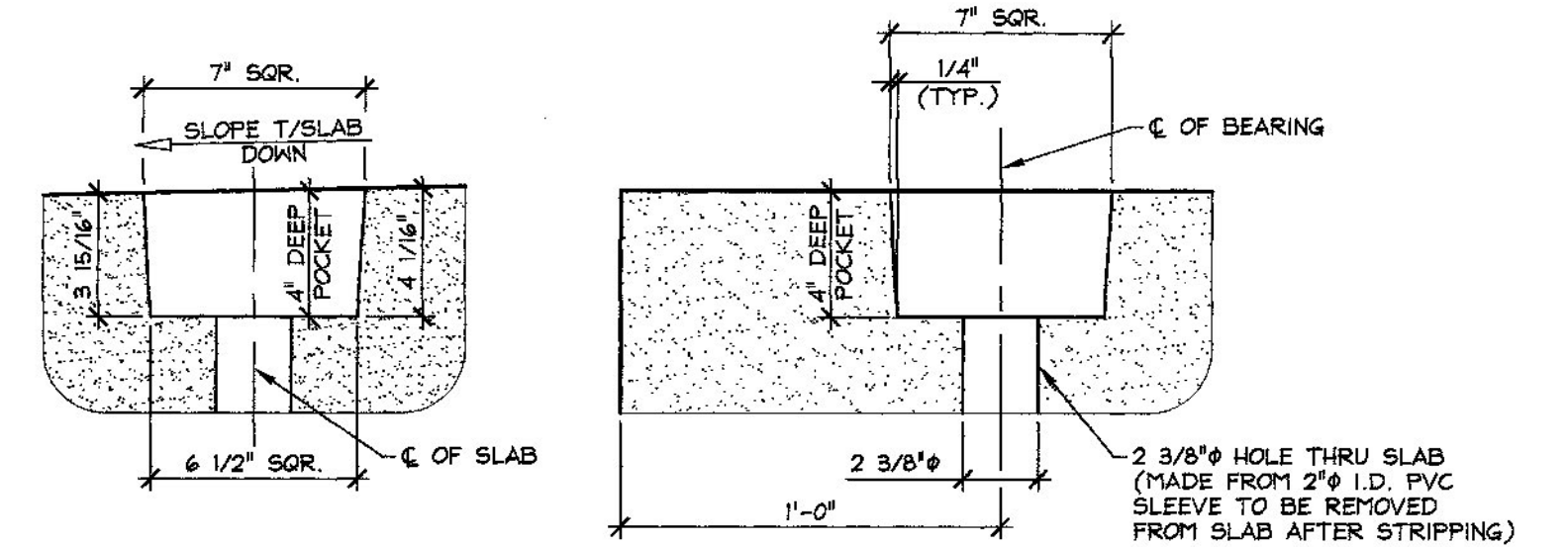
1 DIMENSIONAL PLAN VIEW IN FORM
1/4" = 1'-0"



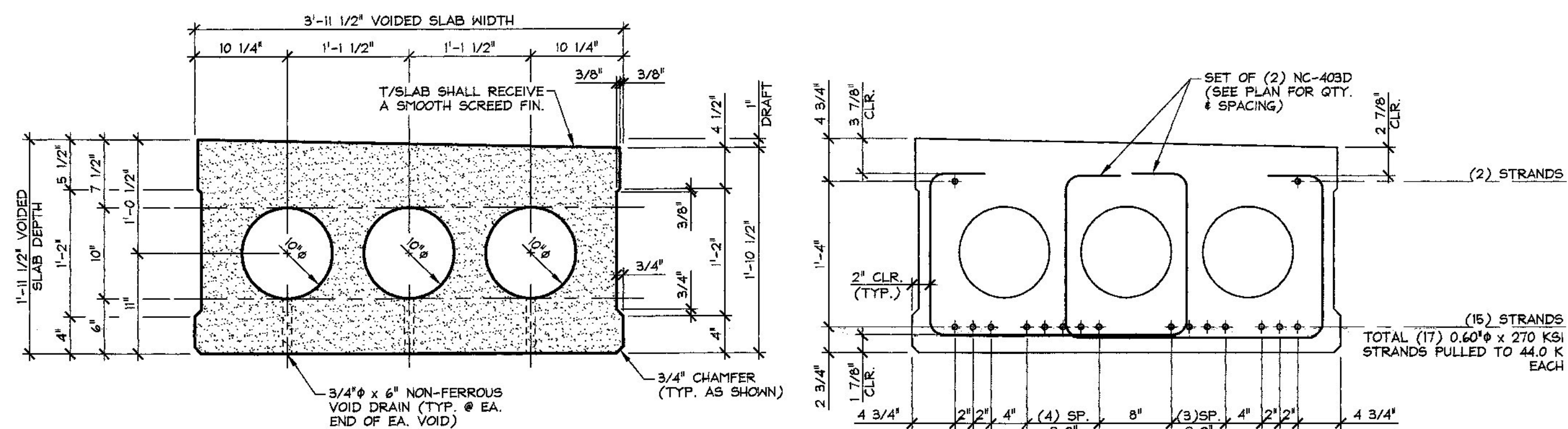
2 REINFORCING PLAN VIEW IN FORM
1/4" = 1'-0"



C DIAPHRAGM REINF. DETAILS
3/4" = 1'-0"



DETAIL - 'B'
2' = 1'-0"



A DIMENSIONAL SECTION
1" = 1'-0"

B REINFORCING SECTION
1" = 1'-0"

3

① 5 7 9 11 15 17 16 14 12 10 8 6 2

4

DETENSIONING SCHEDULE
N.T.S.

MARK: NC-VS3	QTY.: 2	WT.: 24.04 T	VOL.: 11.87 cy
MATERIAL LIST / VOIDED SLAB			
ITEM	MARK	DESCRIPTION	QTY.
1	NC-402D	#4 BENT BAR (LEVEL II, DUAL COATED)	64
2	NC-403D	#4 BENT BAR (LEVEL II, DUAL COATED)	126
3		#4 x 3'-11" (LEVEL II, DUAL COATED)	24
4			
5			
6			
7		3/4" x 6" NON-FERROUS VOID DRAIN	24
8		10" x 8'-2 7/8" VOID	12
9		SET OF (4) 1/2" STRAND LIFTING LOOPS	4
10			

APPROVAL STAMP:

Vermont Agency of Transportation
RECEIVED

MEM OK'D BY CWC
Mar. 16, 2015

RESUBMIT APPROVED ✓
BY C. Carlson DATE 03-27-2015

J.P. CARRARA & SONS INC.
Precast & Prestress Manufacturer
2464 DASE ST., WOODBURY, VERMONT 05753 Phone: (802)388-6361 Fax: (802)388-9010

S.D. IRELAND CONCRETE CONSTRUCTION CORP.
SOUTH BURLINGTON, VERMONT

STATE OF VERMONT AGENCY OF TRANSPORTATION
COUNTY OF ADDISON

DATE: MAR. 6, 2015
SCALE: NOTED

TOWN OF BRISTOL
VT RT. 116 (MINOR ARTERIAL) OVER LITTLE NOTCH CREEK
BRIDGE NO.: 6 PROJECT NO.: BRP 021-1(29)

CHKD: P.C. DFTM: B.L.
JOB NO: 23461-015

PRESTRESSED VOIDED SLAB DETAILS DWG. NO: **S3**