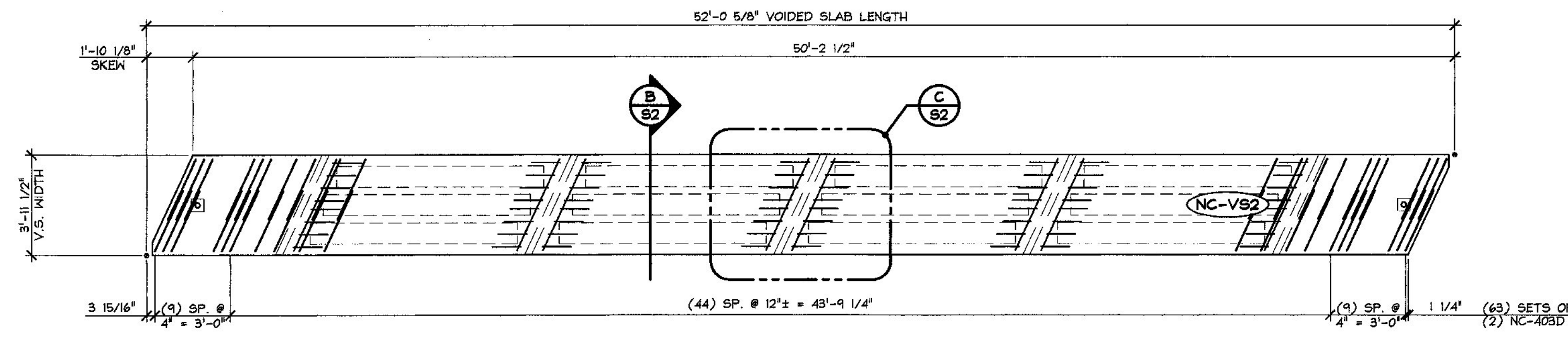
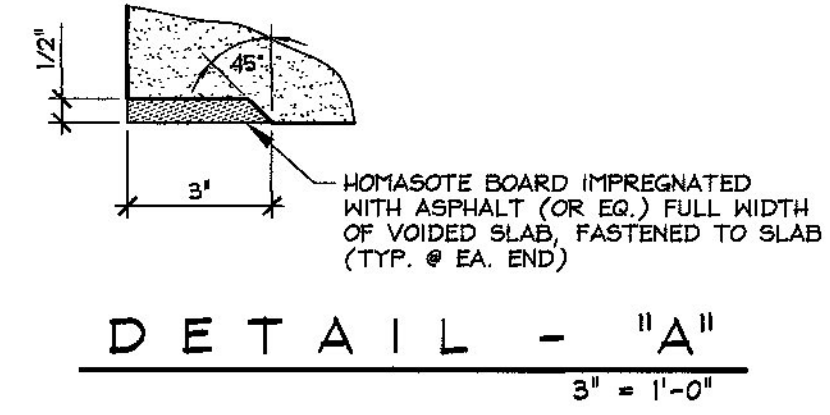
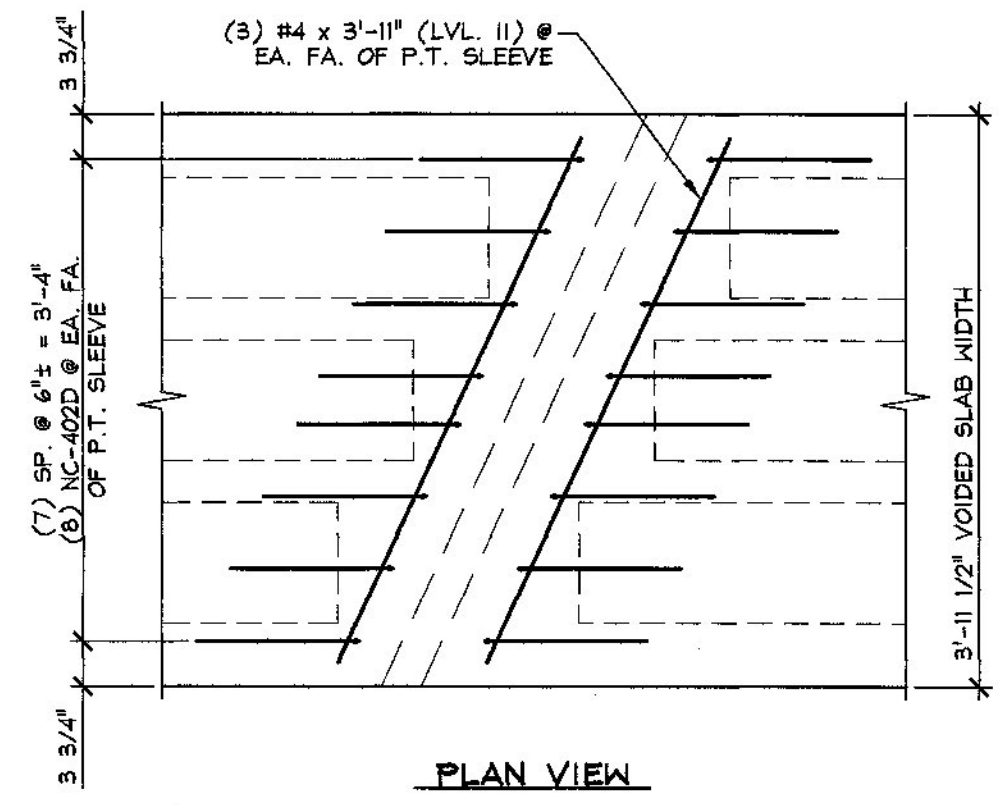


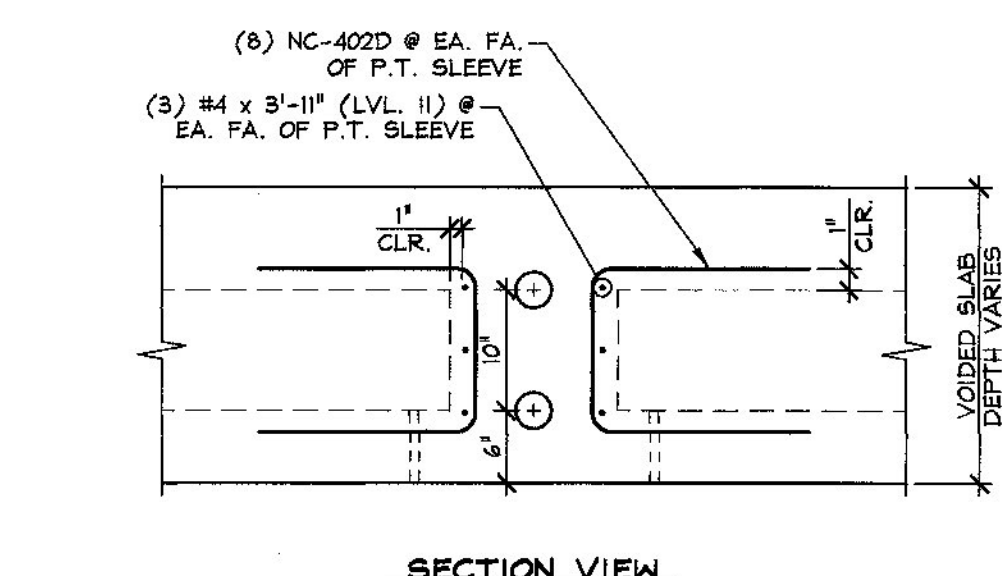
1 DIMENSIONAL PLAN VIEW IN FORM
S2
1/4" = 1'-0"



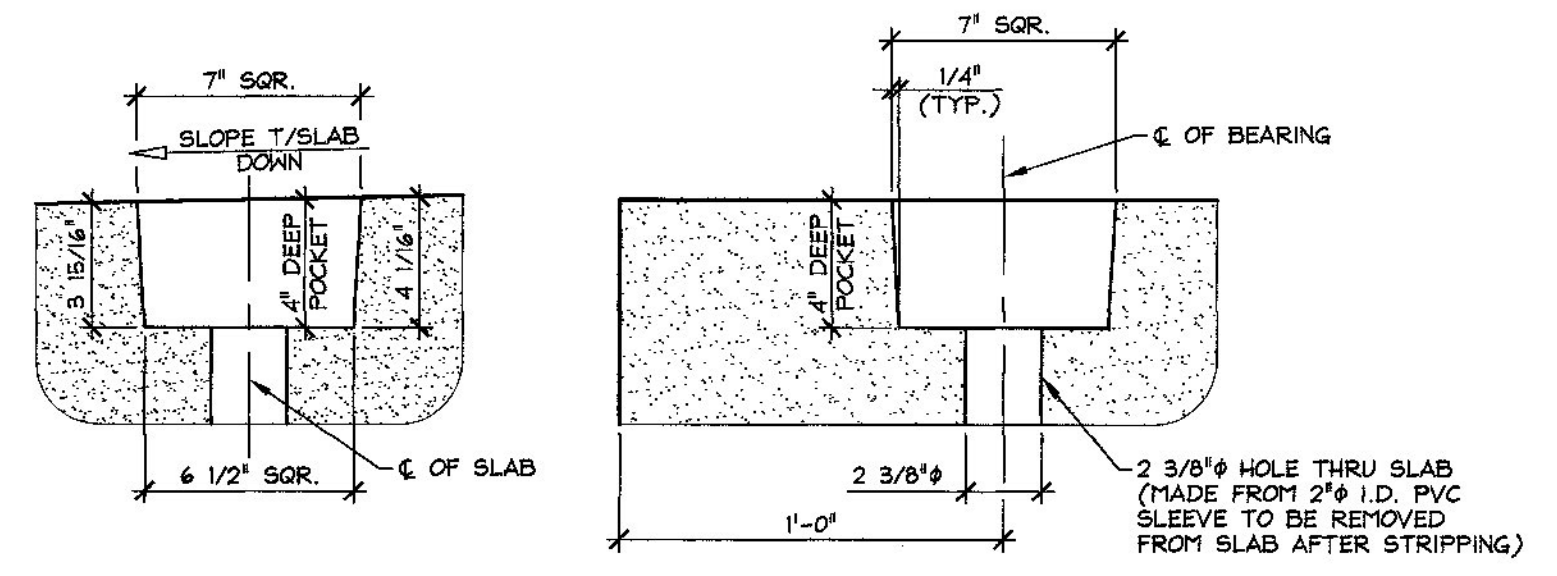
2 REINFORCING PLAN VIEW IN FORM
S2
1/4" = 1'-0"



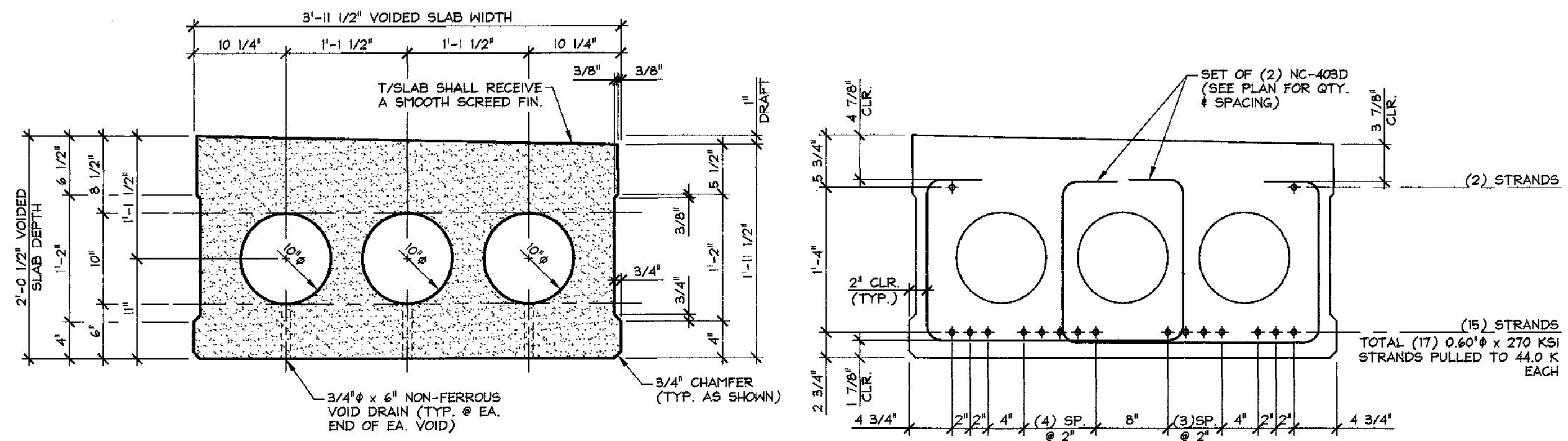
DETAIL - "A"
3" = 1'-0"



C DIAPHRAGM REINF. DETAILS
S2
3/4" = 1'-0"



DETAIL - "B"
2" = 1'-0"



A DIMENSIONAL SECTION
S2
1" = 1'-0"

B REINFORCING SECTION
S2
1" = 1'-0"

DETENSIONING SCHEDULE
N.T.S.

1	5	7	9	11	13	15	17	16	14	12	10	8	6	2
---	---	---	---	----	----	----	----	----	----	----	----	---	---	---

MARK:	NC-VS2	QTY:	2	WT:	25.10 T	VOL:	12.40 cy
MATERIAL LIST / VOIDED SLAB							
ITEM	MARK	DESCRIPTION				QTY.	
1	NC-402D	#4 BENT BAR (LEVEL II, DUAL COATED)				64	
2	NC-403D	#4 BENT BAR (LEVEL II, DUAL COATED)				126	
3		#4 x 3'-11" (LEVEL II, DUAL COATED)				24	
4							
5							
6							
7		3/4" x 6" NON-FERROUS VOID DRAIN				24	
8		10" x 8'-2 7/8" VOID				12	
9		SET OF (4) 1/2" STRAND LIFTING LOOPS				4	
10							

APPROVAL STAMP:

Vermont Agency of Transportation
RECEIVED
CK'D BY MEM OK'D BY CWC
Mar. 16, 2015
RESUBMIT APPROVED
BY C. Carlson DATE 03-27-2015

J.P. CARRARA & SONS INC.
Precast & Prestress Manufacturer
264 GSE ST., WAXFORD, VERMONT 05783 Phone: (802)388-6361 Fax: (802)388-9010

S.D. IRELAND CONCRETE CONSTRUCTION CORP.
SOUTH BURLINGTON, VERMONT

STATE OF VERMONT AGENCY OF TRANSPORTATION
COUNTY OF ADDISON

DATE: MAR. 6, 2015
SCALE: NOTED

TOWN OF BRISTOL
VT RT. 116 (MINOR ARTERIAL) OVER LITTLE NOTCH CREEK
BRIDGE NO.: 6 PROJECT NO.: BRF 021-1(29)

CHKD: P.C. DFTM: B.L.
JOB NO: 23461-015

PRESTRESSED VOIDED SLAB DETAILS DWG. NO: **S2**