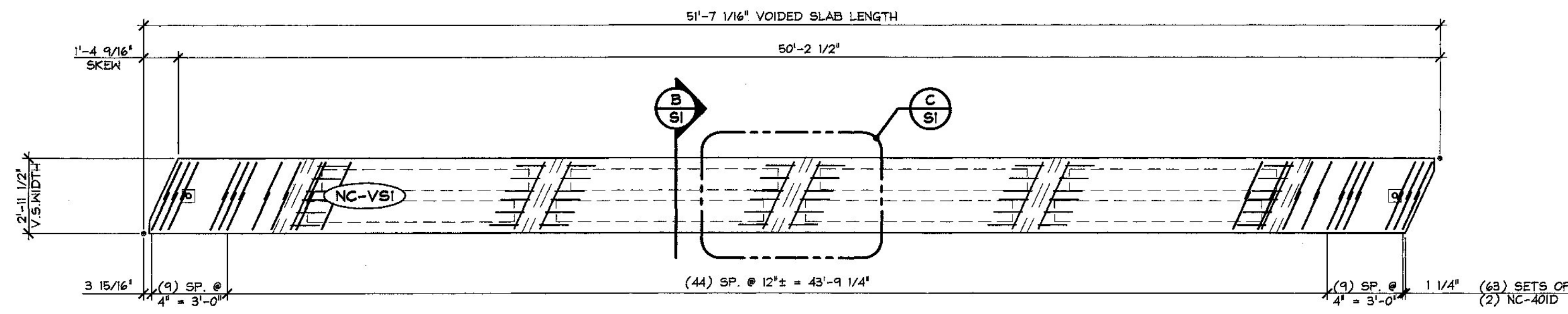
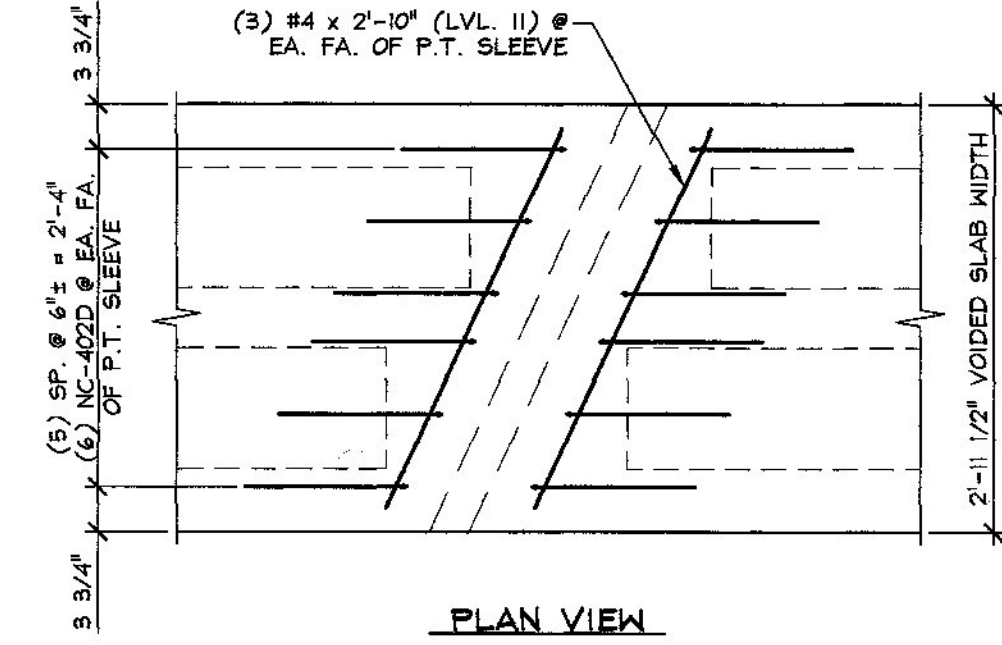


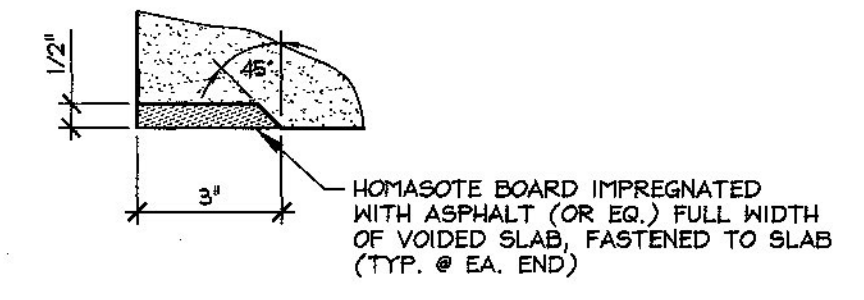
1 DIMENSIONAL PLAN VIEW IN FORM
1/4" = 1'-0"



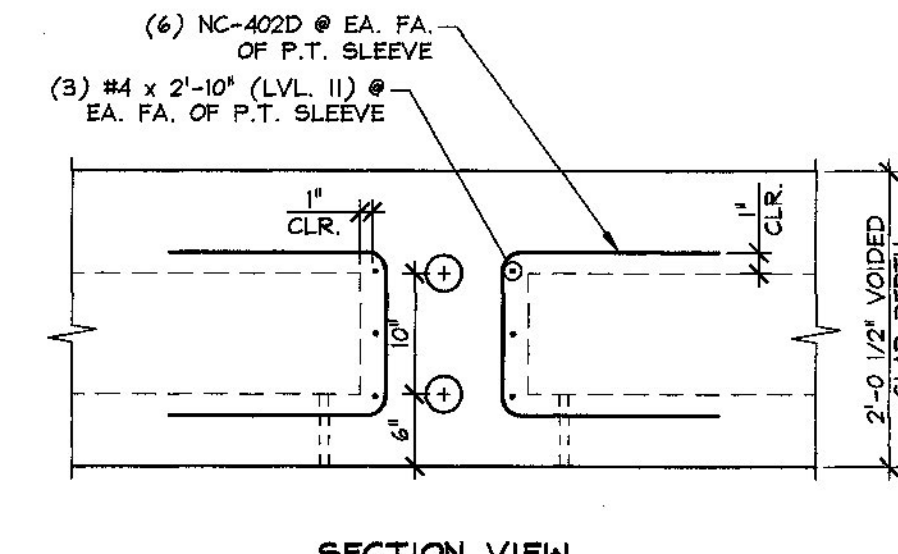
2 REINFORCING PLAN VIEW IN FORM
1/4" = 1'-0"



PLAN VIEW

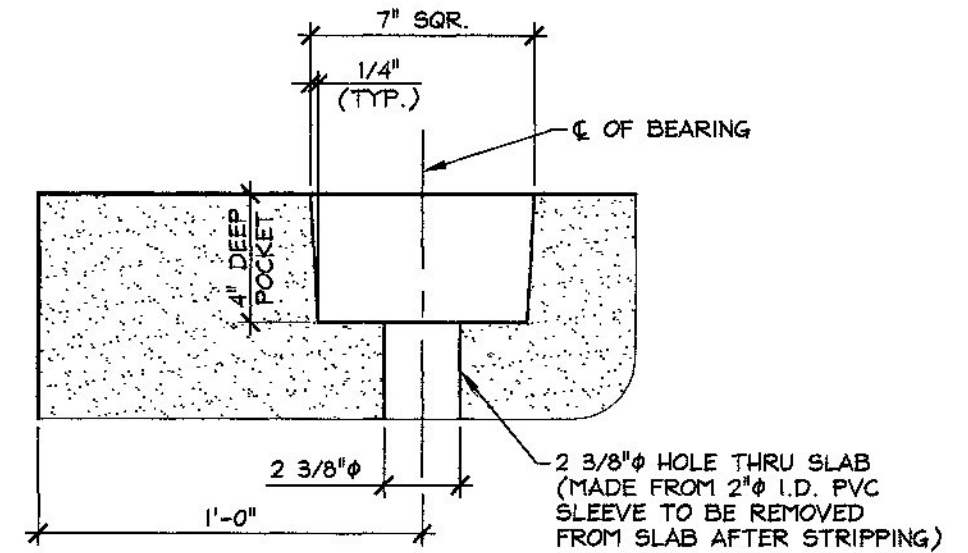


DETAIL - "A"
3" = 1'-0"

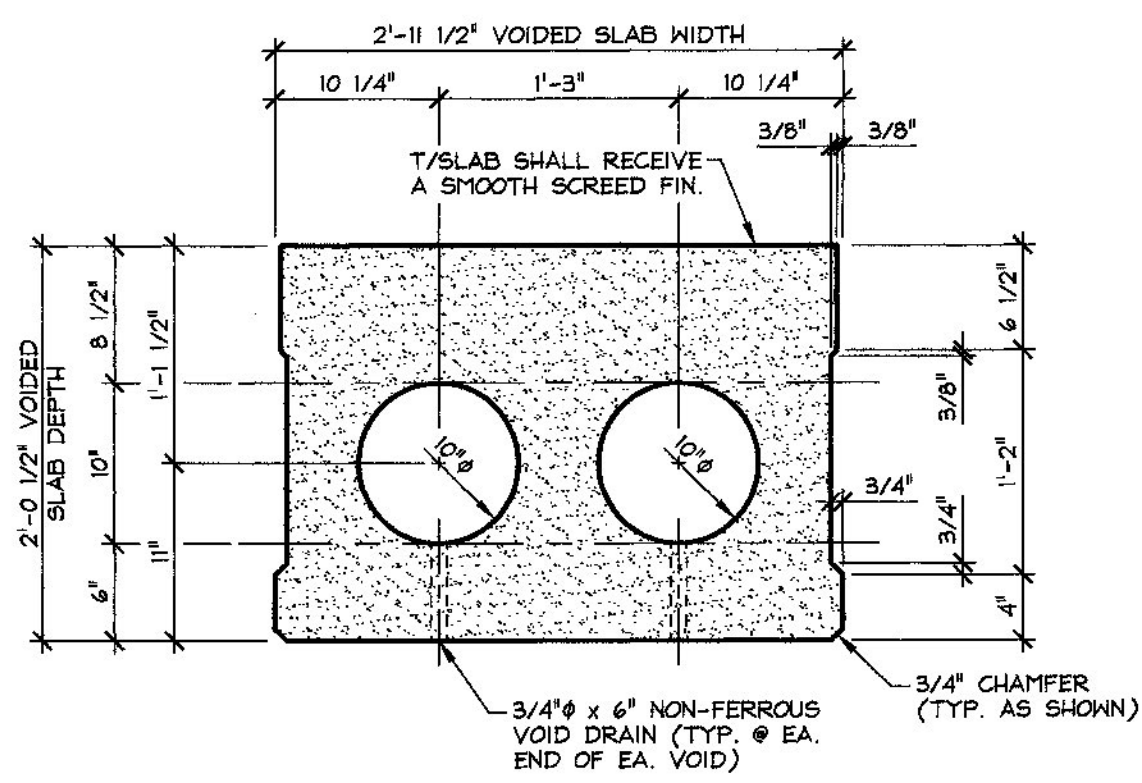


SECTION VIEW

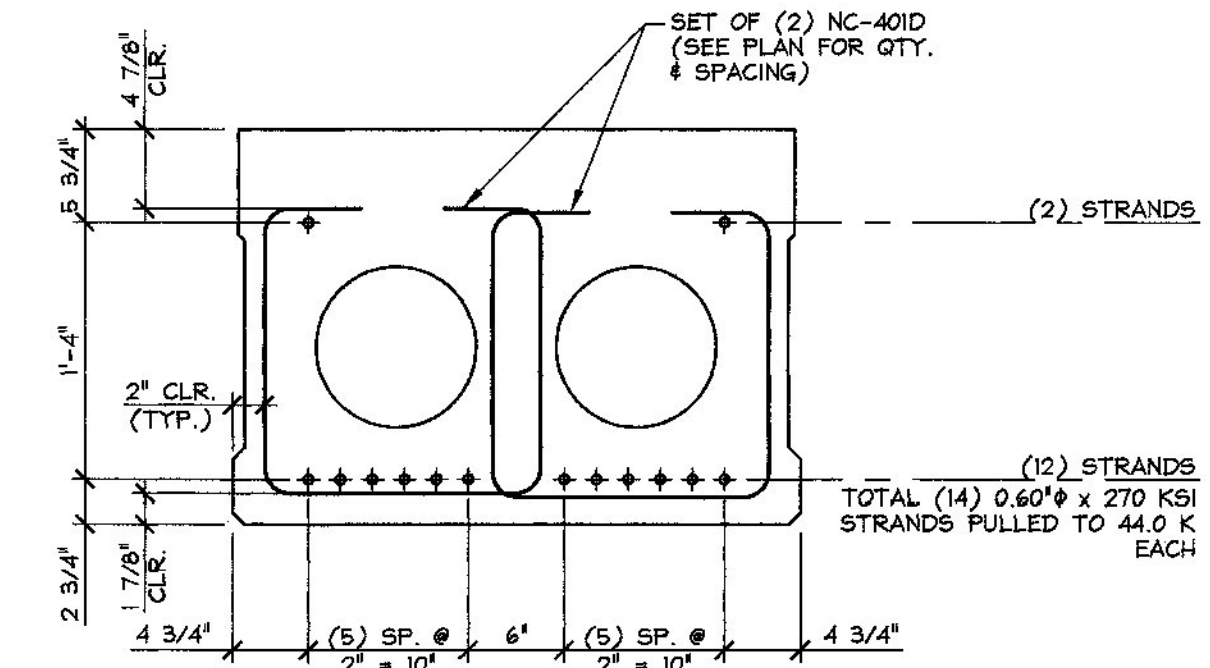
C DIAPHRAGM REINF. DETAILS
3/4" = 1'-0"



DETAIL - "B"
2" = 1'-0"



A DIMENSIONAL SECTION
1" = 1'-0"



B REINFORCING SECTION
1" = 1'-0"

3

1 5 7 9 11 3 14 12 10 8 6 2

4

DETENSIONING SCHEDULE
N.T.S.

MARK:	NC-VS1	QTY.:	1	WT.:	19.37 T	VOL.:	9.57 cy
MATERIAL LIST / VOIDED SLAB							
ITEM	MARK	DESCRIPTION				QTY.	
1	NC-401D	#4 BENT BAR (LEVEL II, DUAL COATED)				126	
2	NC-402D	#4 BENT BAR (LEVEL II, DUAL COATED)				48	
3		#4 x 2'-10" (LEVEL II, DUAL COATED)				24	
4							
5							
6							
7		3/4" x 6" NON-FERROUS VOID DRAIN				16	
8		10" x 8'-2 7/8" VOID				8	
9		SET OF (4) 1/2" STRAND LIFTING LOOPS				4	
10							

APPROVAL STAMP: Vermont Agency of Transportation RECEIVED CK'D BY MEM OK'D BY CWC Mar. 16, 2015 RESUBMIT APPROVED ✓ BY C. Carlson DATE 03-27-2015	J.P. CARRARA & SONS INC. Precast & Prestress Manufacturer <small>2444 CASE ST., MIDDLEBURY, VERMONT 05753 Phone: (802) 388-6361 Fax: (802) 388-9010</small>	S.D. IRELAND CONCRETE CONSTRUCTION CORP. <small>SOUTH BURLINGTON, VERMONT</small>
	STATE OF VERMONT AGENCY OF TRANSPORTATION COUNTY OF ADDISON	
	TOWN OF BRISTOL VT RT. 116 (MINOR ARTERIAL) OVER LITTLE NOTCH CREEK BRIDGE NO.: 6 PROJECT NO.: BRP 021-1(29)	
		DATE: MAR. 6, 2015 SCALE: NOTED CHKD: P.C. DFTM: B.L. JOB NO: 23461-015
PRESTRESSED VOIDED SLAB DETAILS		DWG. NO: S1