

BILL OF MATERIAL

BRIDGE #6

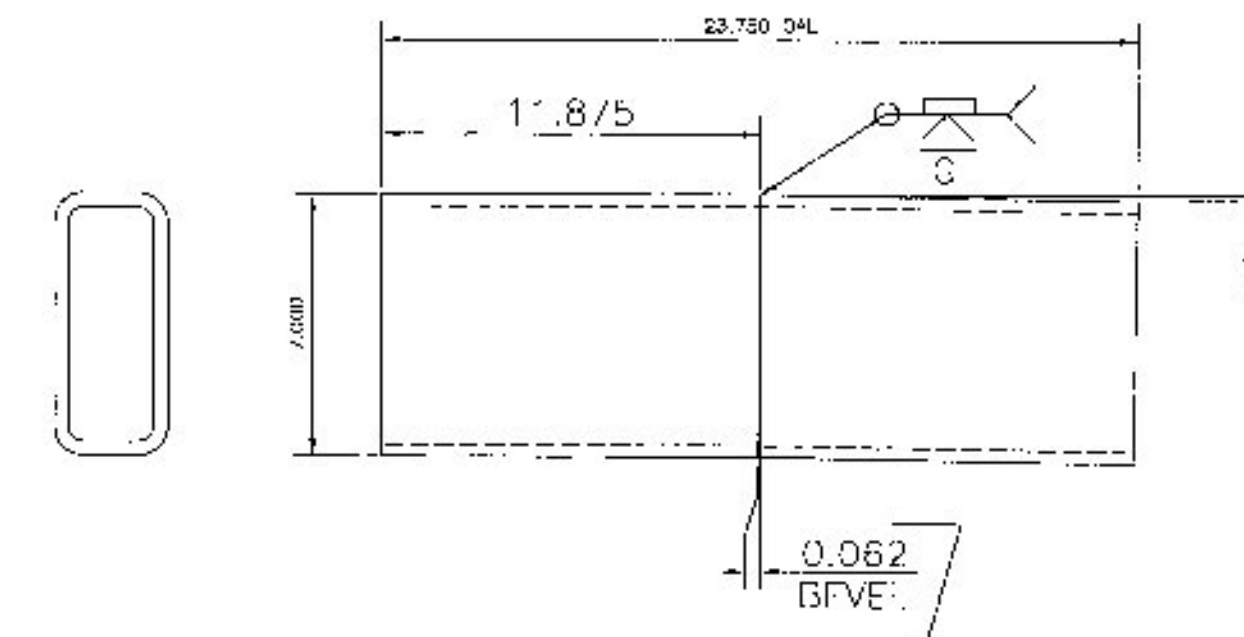
TOTAL PAY LENGTH ITEM 525.33 = 102 LF

Qty	mk	Description	Spec.
14		BRIDGE RAILING POST W6 x 25 x 2'-2.375" OAH WITH 1 x 10 x 14 BASE PLATE (GLV)	A709 gr 50
4		SPLICE TUBE (FOR 8x4 RAIL) HSS 7 x 3 x 3/8 x 1'-8.000" OAL w/ TAPPED HOLES & 2 WELDED NUTS (GLV)	A500 gr B
4		SPLICE TUBE (FOR 4x4 RAIL) HSS 3 x 3 x 5/16 x 1'-8.000" OAL w/ TAPPED HOLES & 2 WELDED NUTS (GLV)	A500 gr B
4	B1	UPPER RAIL TUBE HSS 8 x 4 x 5/16 x 16'-1.500" LG (GLV) one end holes, one end slots	A500 gr B
2	B2	UPPER RAIL TUBE HSS 8 x 4 x 5/16 x 19' LG (GLV) one end holes, one end slots	A500 gr B
4	B1	LOWER RAIL TUBE HSS 4 x 4 x 1/4 x 16'-1.500" LG (GLV) one end holes, one end slots	A500 gr B
2	B2	LOWER RAIL TUBE HSS 4 x 4 x 1/4 x 19' LG (GLV) one end holes, one end slots	A500 gr B
14		ANCHOR SPACER PLATE PL 0.375 x 13.000 x 9.375	A709 gr 36
56		ANCHOR STUD DBL END PART THREAD - 1" DIA x 12.000 w/ 2.250" THD EACH END (GLV)	A449
112		HEAVY HEX NUT 1" (GLV)	A563 DH
56		ROUND WASHER (SAE) - 1" DIA SMALL (GLV)	F436
56		JAM NUT 1" (GALV)	A563 DH
56		ROUND HEAD POST BOLT slot or wrench head - no shoulder 3/4" DIA x 6" LG. FULL BODY (GLV)	A449 / A325
56		LOCK NUT 3/4" (GLV)	A563 DH
56		ROUND WASHER (SAE) 3/4" (GLV)	F436
32		HEX HEAD BOLT 5/8" DIA x 1.75" LG. (GLV)	A325
32		ROUND WASHER (SAE) 5/8" (GLV)	F436
14		BEARING PAD 0.125" THICK x 10.000 x 14.000 (NEOPRENE 80 duro +/-10)	aashto M25f

APPROACH BRIDGE #6

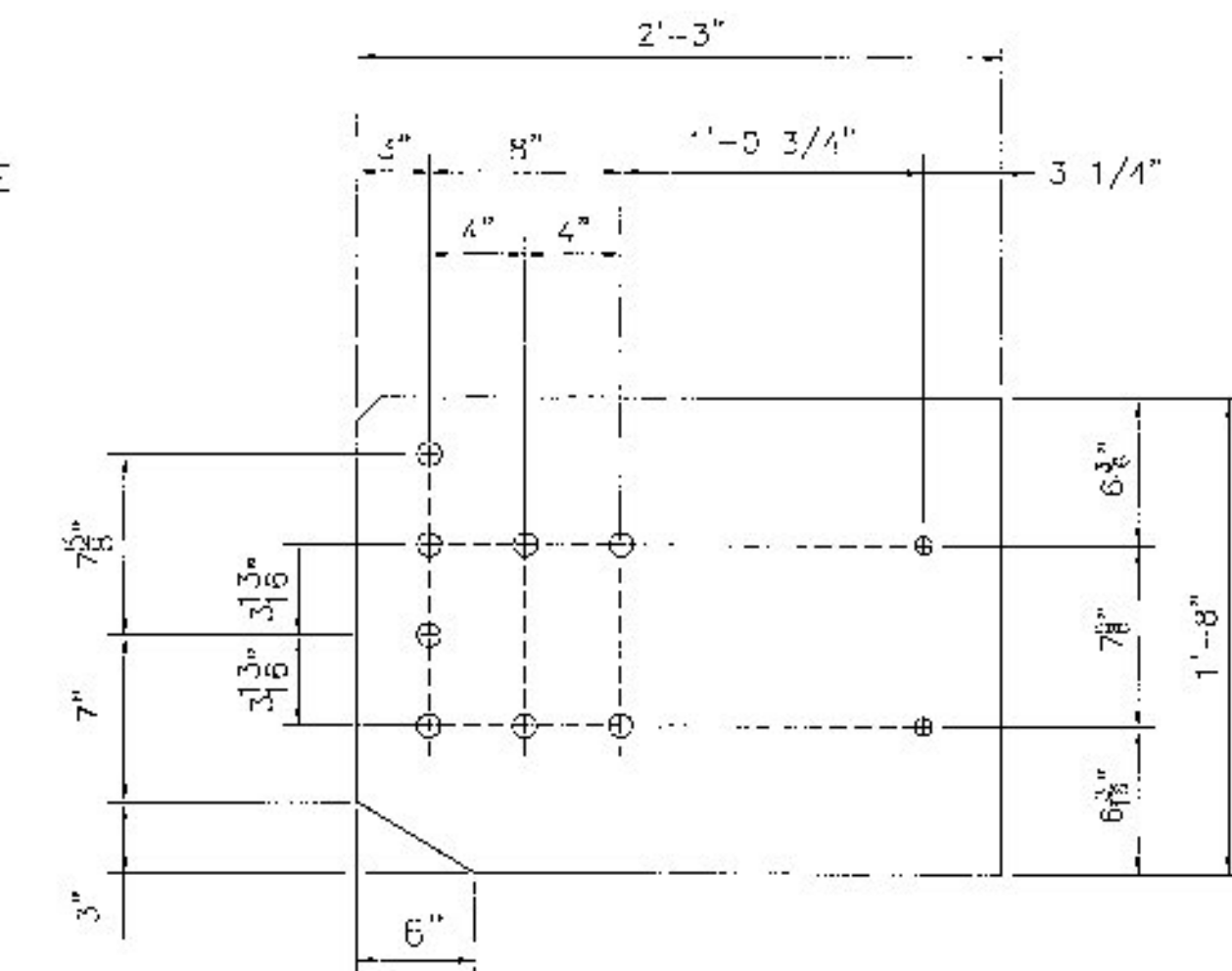
QUANTITY = 4

Qty	mk	Description	Spec.
4	01	W6x25 APPROACH POST - #1 x 8'-0" OAL (GALV)	A709 gr 50
4	02	W6x25 APPROACH POST - #2 x 8'-0" OAL (GALV)	A709 gr 50
4	03	W6x25 APPROACH POST - #3 x 8'-0" OAL (GALV)	A709 gr 50
4	04	W6x25 APPROACH POST - #4 x 8'-0" OAL (GALV)	A709 gr 50
4		UPPER RAIL APPROACH TUBE HSS 8 x 4 x 5/16 x 9'-4.000" w/ 3.500 SLOTS FOR 4" EXP GAP (GALV)	A500 gr B
4		LOWER RAIL APPROACH TUBE HSS 4 x 4 x 5/16 x 9'-4.000" w/ 3.500 SLOTS FOR 4" EXP GAP (GALV)	A500 gr B
4		CONNECTION PLATE PL 0.375" x 20.000" x 27.000" (GALV)	A709 gr 36
2		DEFLECTOR PLATE (RIGHT) PL 0.375 x 4.000 x 13.375 (GALV)	A709 gr 36
2		DEFLECTOR PLATE (LEFT) PL 0.375 x 4.000 x 13.375 (GALV)	A709 gr 36
4		END CAP FOR 8x4 TUBE 0.187 THICK PLATE 8.000 x 4.000 w/ WELDED TABS (GALV)	A709 gr 36
4		END CAP FOR 4x4 TUBE 0.187 THICK PLATE 4.000 x 4.000 w/ WELDED TABS (GALV)	A709 gr 36
4		(ANGLED) SPLICE TUBE (EXPANSION) FOR 8x4 UPPER RAIL HSS 7 x 3 x 3/8 x 1'-11.750" OAL (GALV)	A500 gr B
4		SPLICE TUBE (EXPANSION) FOR 4x4 LOWER RAIL HSS 3 x 3 x 5/16 x 1'-11.750" OAL (GALV)	A500 gr B
32		WOOD POST (WP1) 6 x 8 x 7'-0"	TIMBER
32		WOOD BLOCKOUT (WB1) 6 x 8 x 1'-6"	TIMBER
4		WOOD POST (WP2) 6 x 8 x 7'-0"	TIMBER
4		WOOD BLOCKOUT (WB2) 6 x 8 x 1'-6"	TIMBER
4		WOOD POST (WP3) 6 x 8 x 7'-0"	TIMBER
4		WOOD BLOCKOUT (WB3) 6 x 8 x 1'-2"	TIMBER
4		THREE FLAT LIP BRIDGE SHOE (MODIFIED) 10 GA. GALV	aashto M180 B2
4		THREE TRANSITION PANEL 6'-3" / 3'-1 1/2" 10 GA. GALV.	aashto M180 B2
8		THREE PANEL 12'-6" / 1'-6 3/4" 12 GA. GALV.	aashto M180 A2
92		ROUND HEAD POST BOLT slot or wrench head - no shoulder 3/4" DIA x 6" LG. (GLV) w/ LOCK NUT & FLAT WASHER	A449
4		ROUND HEAD POST BOLT slot or wrench head - no shoulder 3/4" DIA x 2" LG. (GLV) w/ HEX NUT	A449
8		ROUND HEAD POST BOLT - oval shoulder 5/8" DIA x 1'-8" LG. (GALV) w/ DBL RECESS NUT, FLAT WASHER	A307
68		ROUND HEAD POST BOLT - oval shoulder 5/8" DIA x 1'-6" LG. (GALV) w/ DBL RECESS NUT, FLAT WASHER	A307
32		HEX HEAD BOLT 5/8 x 1-3/4" (GALV) w/ FLAT WASHER	A325
128		PANEL SPLICE BOLT 5/8 x 1-1/4" (GALV) w/ DOUBLE RECESSED NUT	A307
76		RECTANGULAR PLATE WASHER 0.187 x 1.750 x 3.000 (GALV)	A709 gr 36
32		SPACER PIPE - GALVANIZED 3/4" SCH. 40 x 1/2" LONG (GLV)	A53 gr B



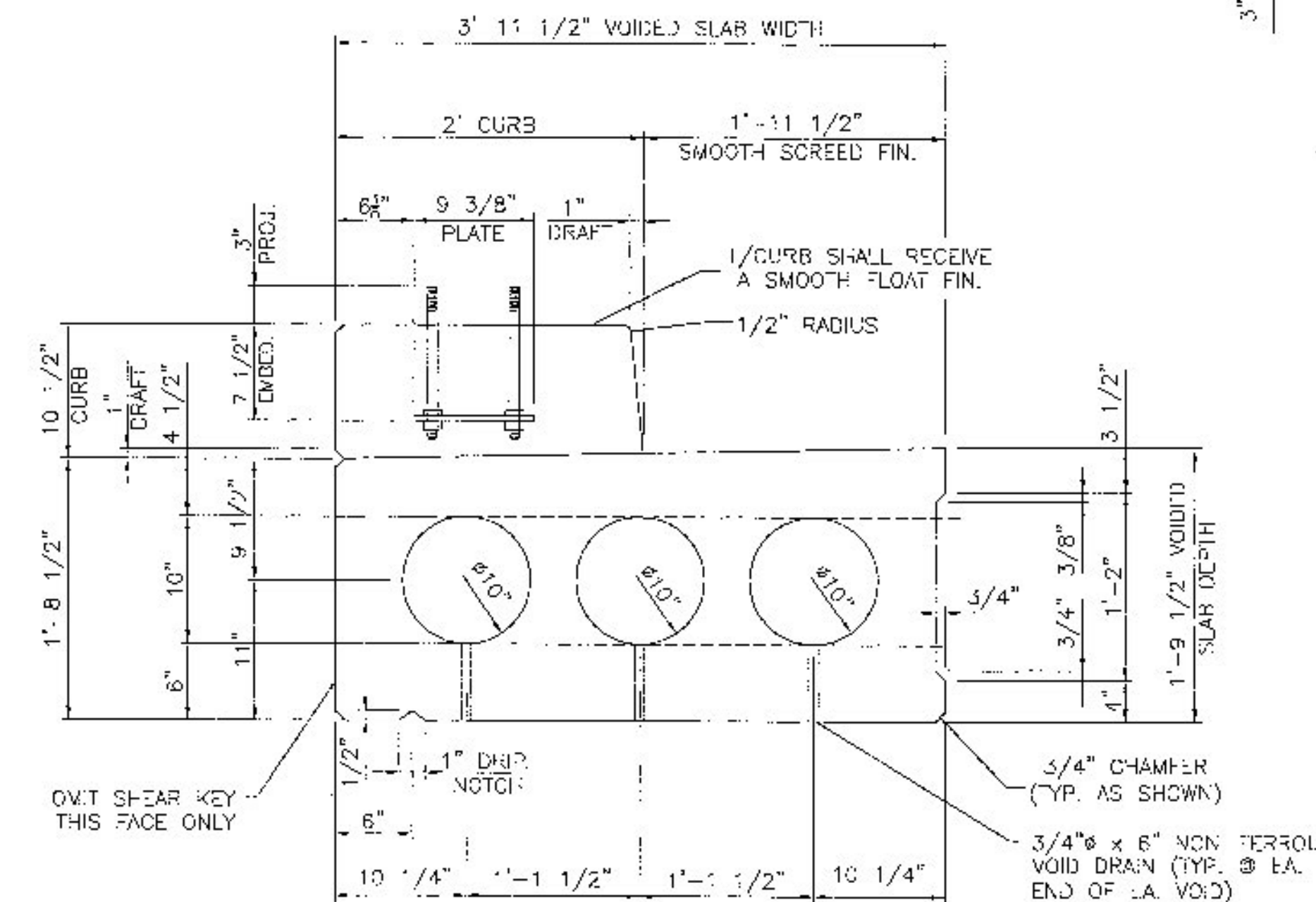
ANGLED SPLICE DETAIL

HSS 7 x 3 x 3/8 - FOR UPPER RAIL SPLICE
SEE BRIDGE RAIL SHOE FOR DETAIL ON LOWER RAIL SPLICE TUBE



CONNECTION PLATE

3/8" x 1'-8" x 2'-3"



CURB SECTION

Vermont Agency of Transportation
RECEIVED

CK'D BY MEM OK'D BY CWC

Apr. 16, 2015

RESUBMIT APPROVED
BY C. Carlson DATE 05-06-2015

HIGHWAY SAFETY CORP
GLASTONBURY, CT
860-633-9445

ITEM 525.33 2-RAIL BRIDGERAIL GALVANIZED
BRIDGE REHABILITATION
RT. 116 OVER LITTLE NOTCH CREEK
B.I.N. #6 P.I.N. BR 021-1 (29)
TOWN OF BRISTOL, ADDISON COUNTY

CERTIFIED FABRICATOR
2040
4 of 4
DATE 04-15-15 SCALE NONE