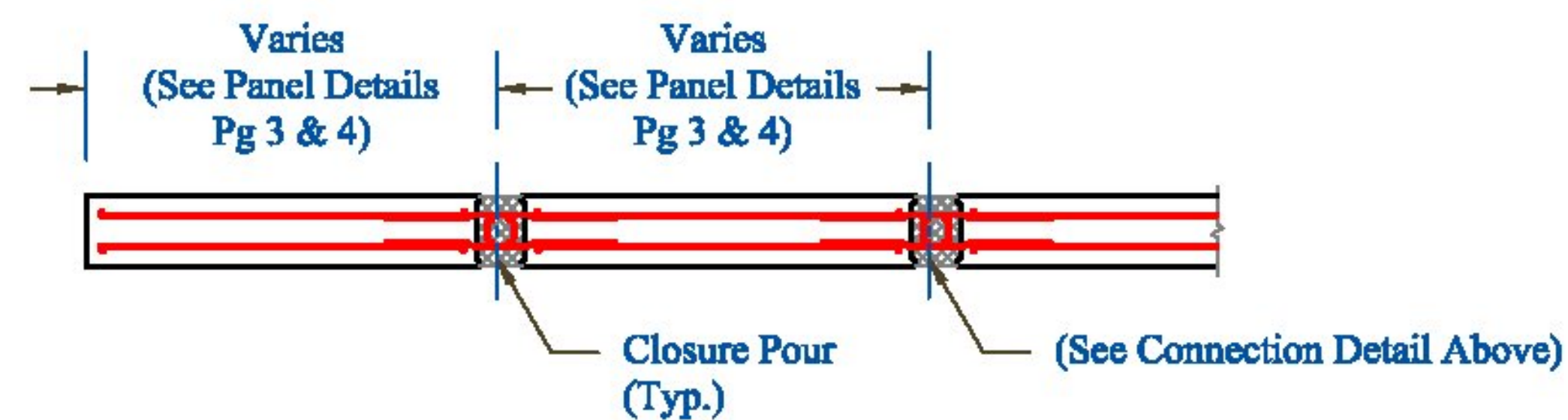
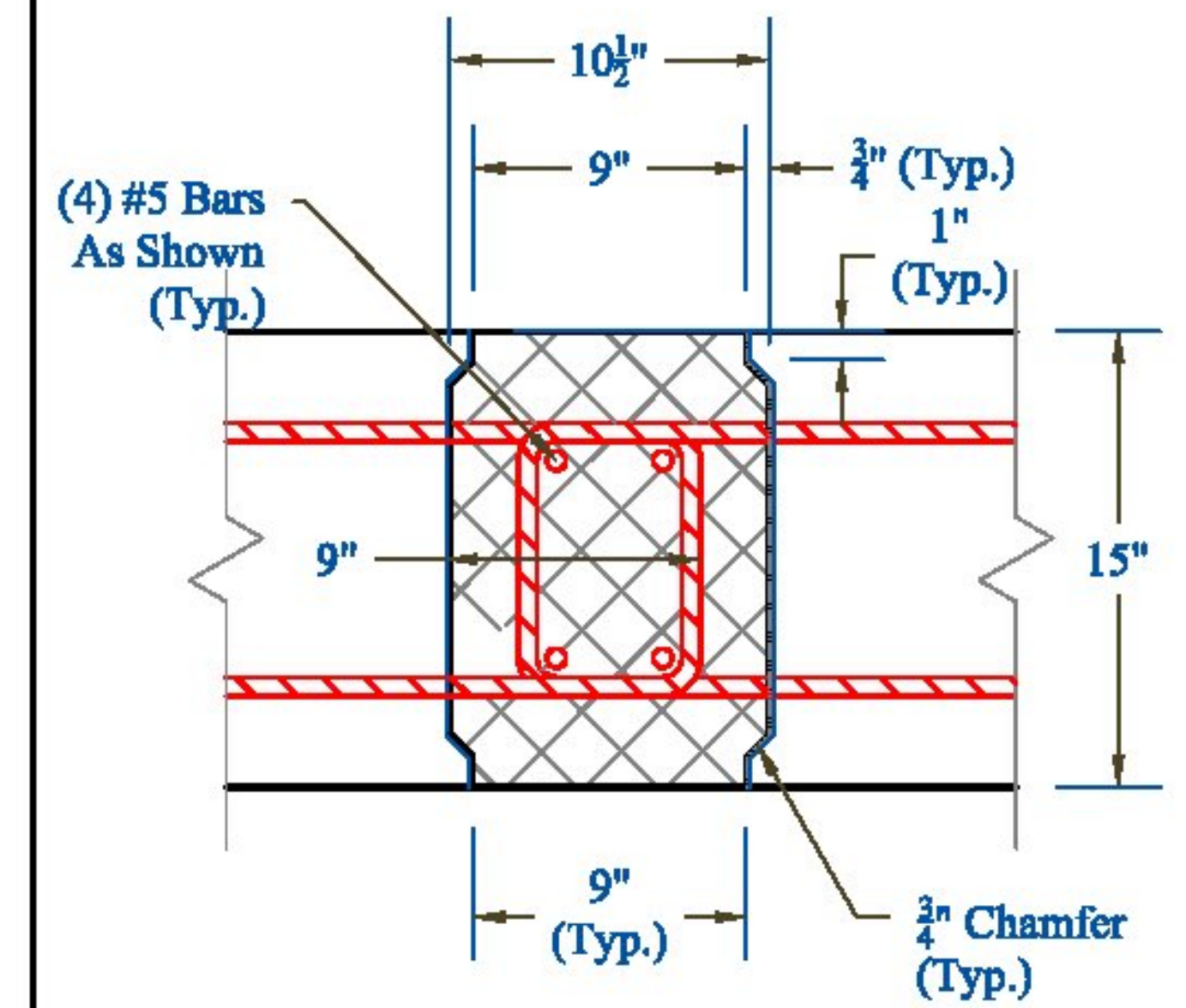


Approach Slab 1: Plan

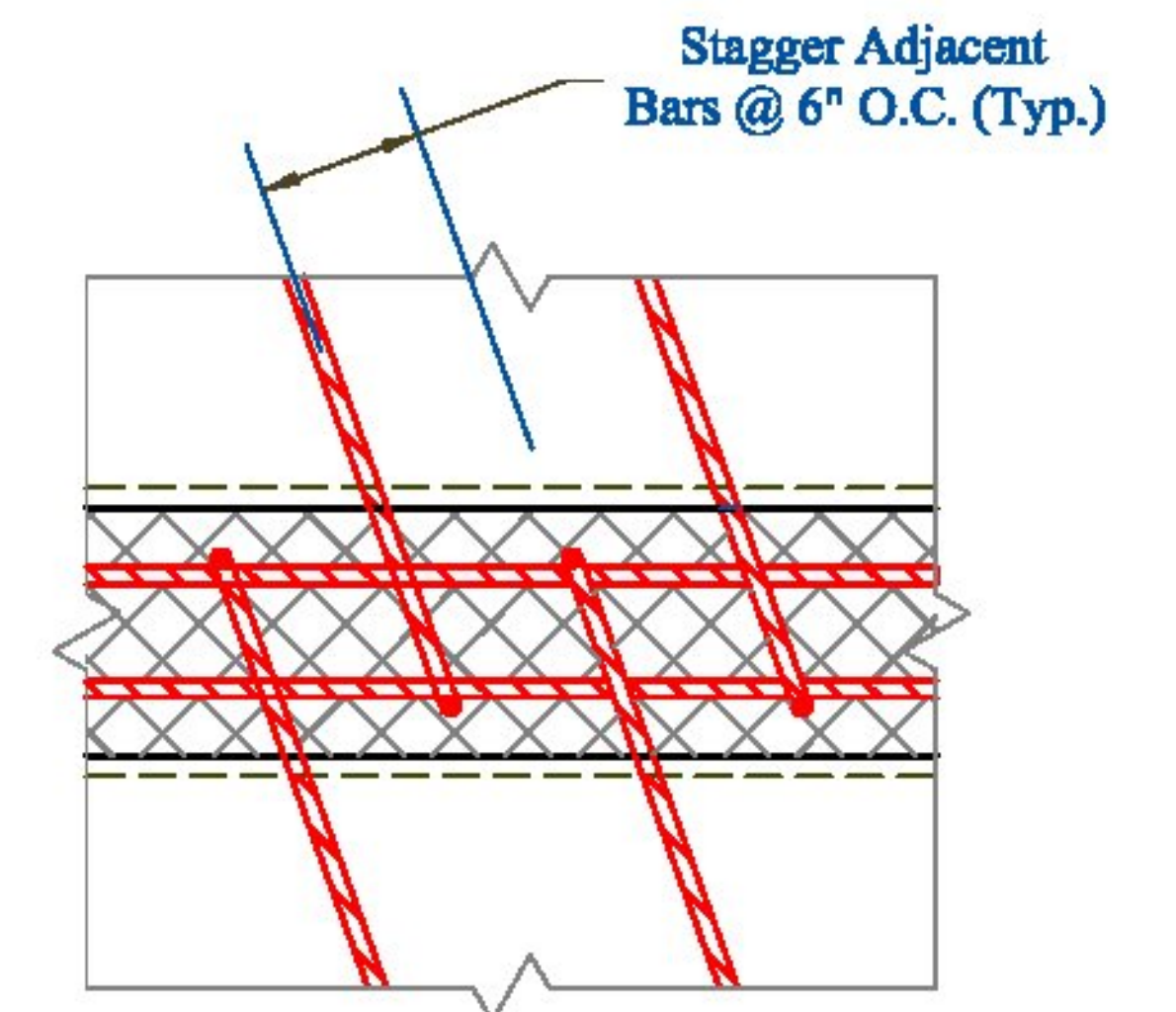
Approach Slab 2: Plan



Section A-A



Connection Detail Section



Connection Detail Plan

Table of Pieces

Name	Qty	Thickness	Vol (Cu Yd)	Wt (lbs)
As#1	1	1'-3"	6.71	26,840
As#2	1	1'-3"	6.48	25,925
As#3	1	1'-3"	6.48	25,925
As#4	1	1'-3"	6.71	26,840
As#5	1	1'-3"	6.48	25,925
As#6	1	1'-3"	6.71	26,840
As#7	1	1'-3"	6.48	25,925
As#8	1	1'-3"	6.71	26,840

Vermont Agency of Transportation  
**RECEIVED**  
 CK'D BY MEM OK'D BY CWC  
 May 29, 2015  
 RESUBMIT APPROVED ✓  
 BY C. Carlson DATE 05-29-2015

CONTRACTORS VISPE	Rev.	Date	By	Description
	1	04/09/15	IBA	Changes per State Review
	2	04/16/15	IBA	Changes per State Changes Received 04/13/15

PRECAST CONCRETE APPROACH SLAB SHOP DRAWINGS (SDI JOB #15738)  
 SUPERVISOR: E. Barendse  
 DETAILER: I. ADAMS  
 CHECKER: E. Barendse  
 ENGINEER: X

PROJECT NAME:  
 Bristol BR# 021-1(29)  
 PROJECT #: 021-1(29)  
 LOCATION: Bristol, VT

INSTALLER:  
 S.D. Ireland  
 193 Industrial Ave  
 Williston, VT 05495  
 03/17/2015

FABRICATOR:  
 193 INDUSTRIAL AVE.  
 WILLISTON, VT 05495  
 Ph: (802) 658-0201

