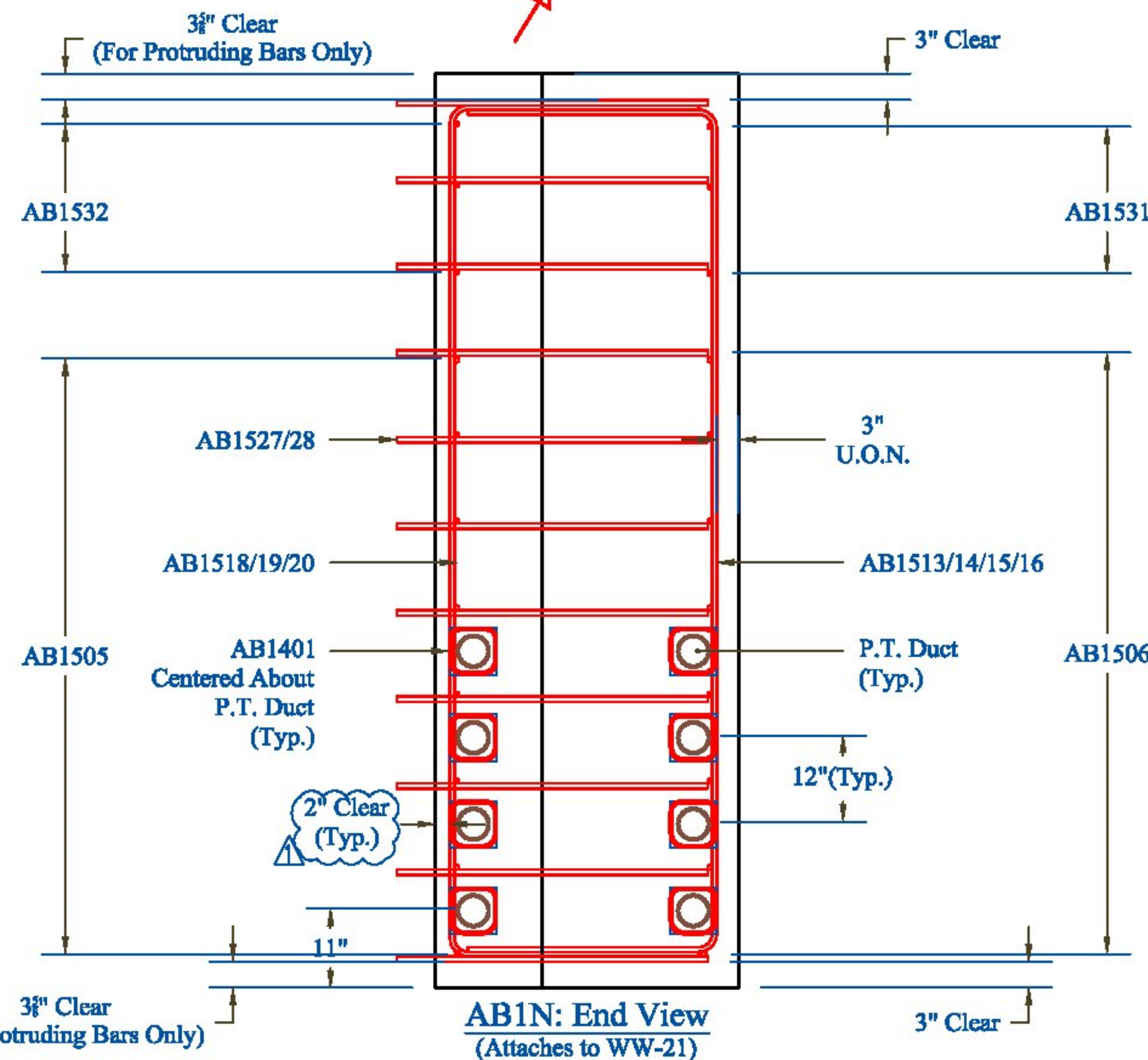
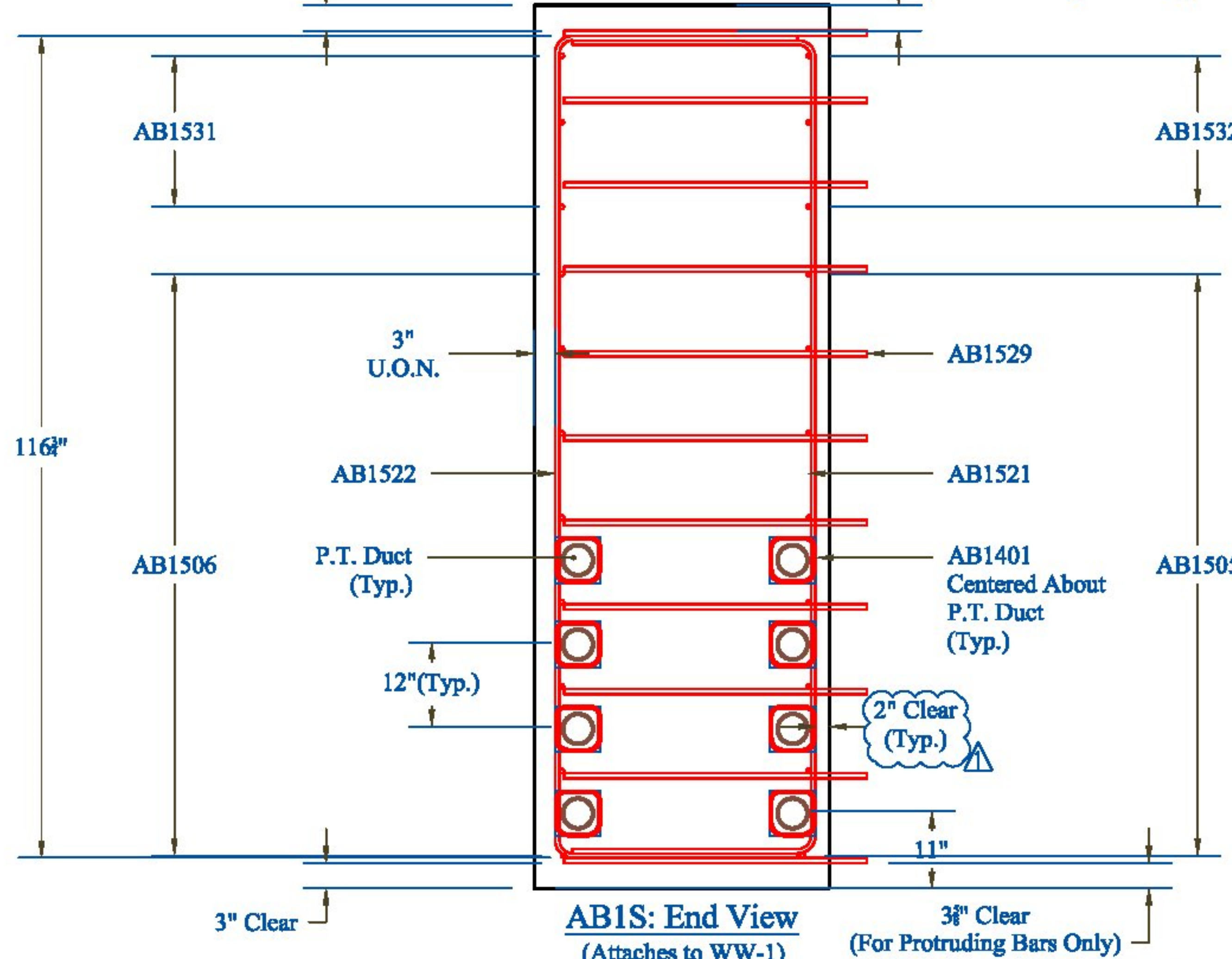
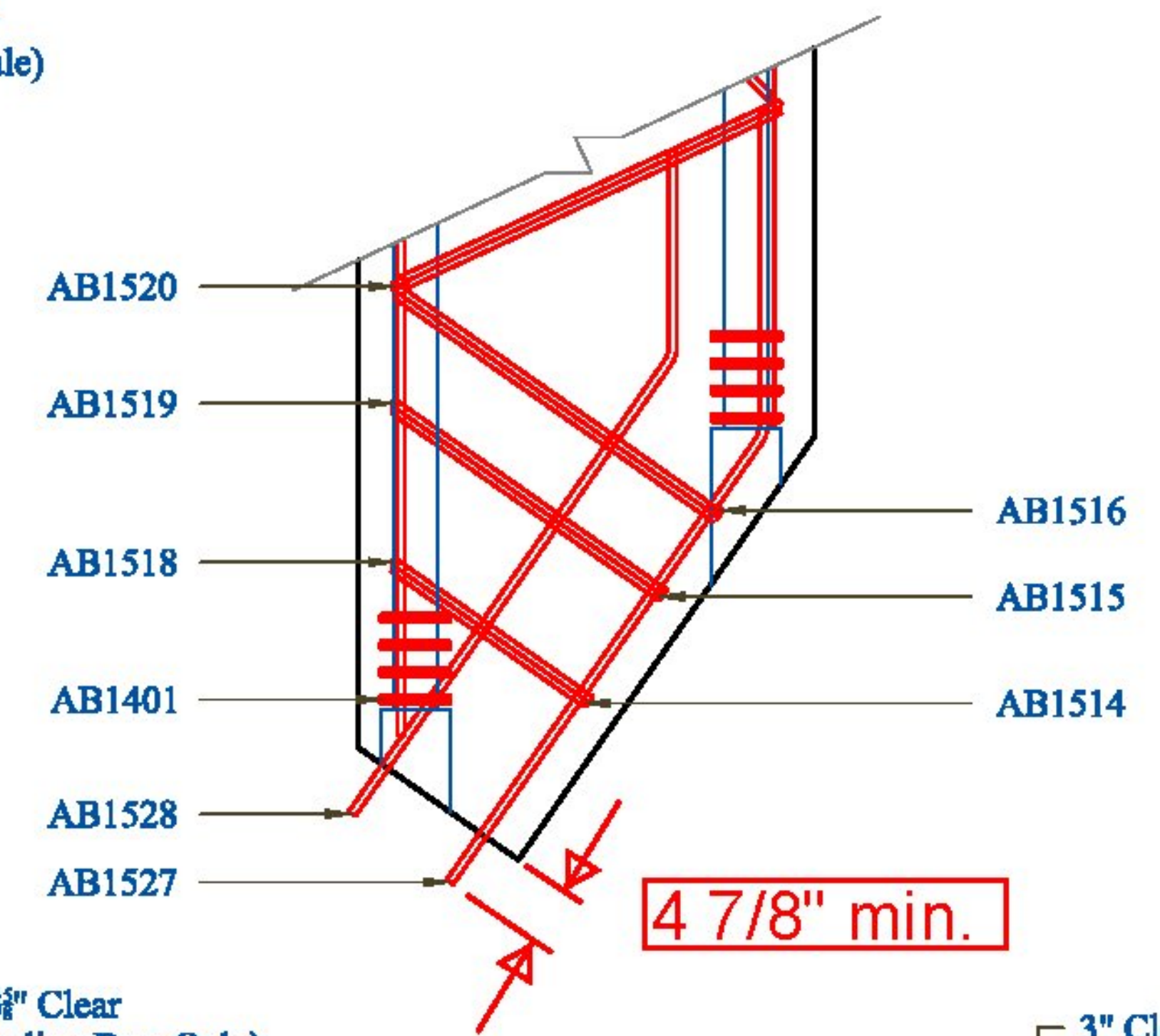
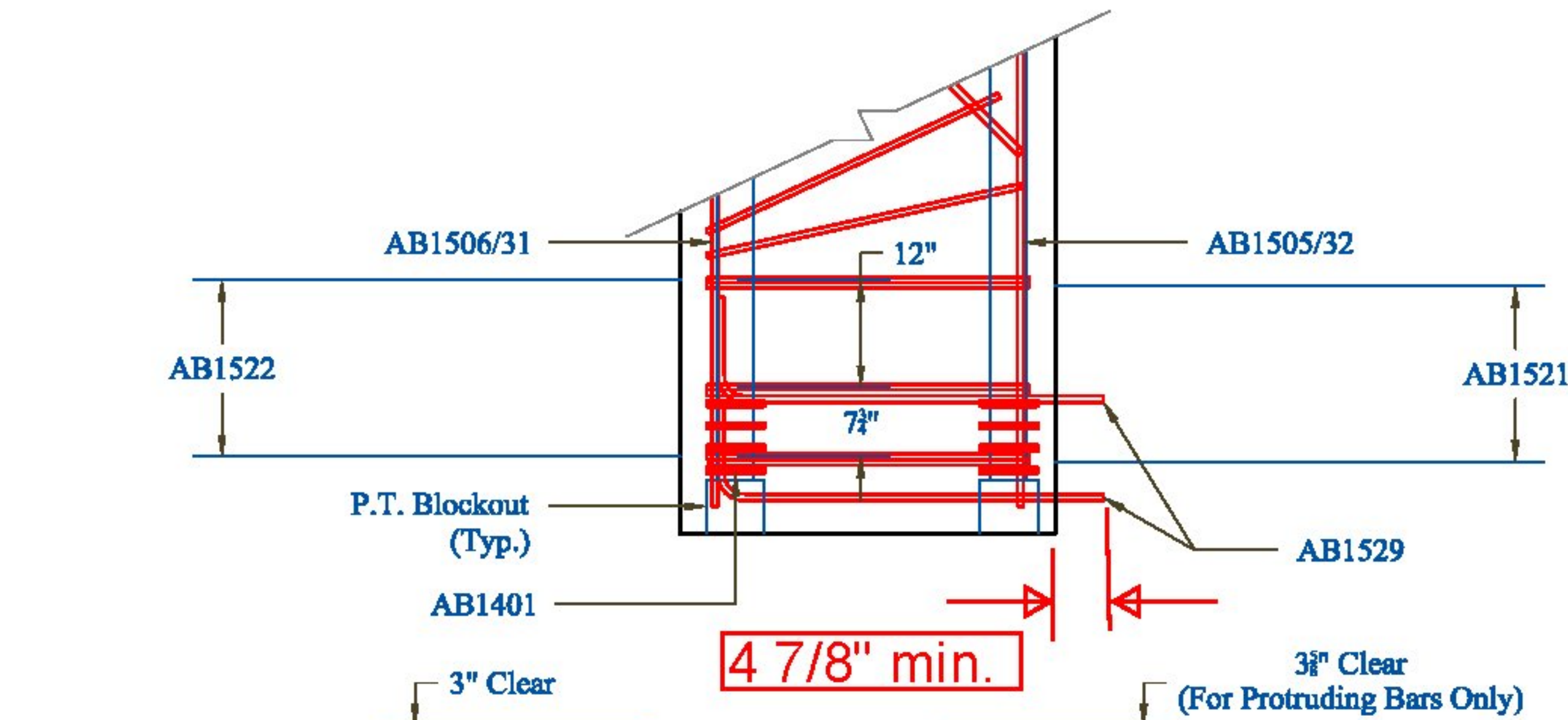


End Bar Detail: Abutment 1
(Refer to Rebar Plan for Full Bar Schedule)



CONTRACTORS VISPE:	Vermont Agency of Transportation RECEIVED CK'D BY MEM OK'D BY CWC Apr. 17, 2015 RESUBMIT APPROVED AS NOTED ✓ BY C. Carlson DATE 04-17-2015	Rev. 1 Date 04/16/15 By IBA Description Changes per State Review	PRECAST CONCRETE ABUTMENT SHOP DRAWINGS (SDI JOB #15264)		INSTALLER: S.D. Ireland Concrete 193 Industrial Ave Williston, VT 05495	FABRICATOR: 193 INDUSTRIAL AVE. WILLISTON, VT 05495 Ph: (802) 658-0201	
	SUPERVISOR: M. WHEELER DETAILER: I. ADAMS CHECKER: E. Barendse ENGINEER: VTAOT	PROJECT NAME: Bristol BR# 021-1(29) PROJECT #: 021-1(29) LOCATION: Bristol, VT	03/17/2015	END_BAR_DETAIL_1	9_OF_16		