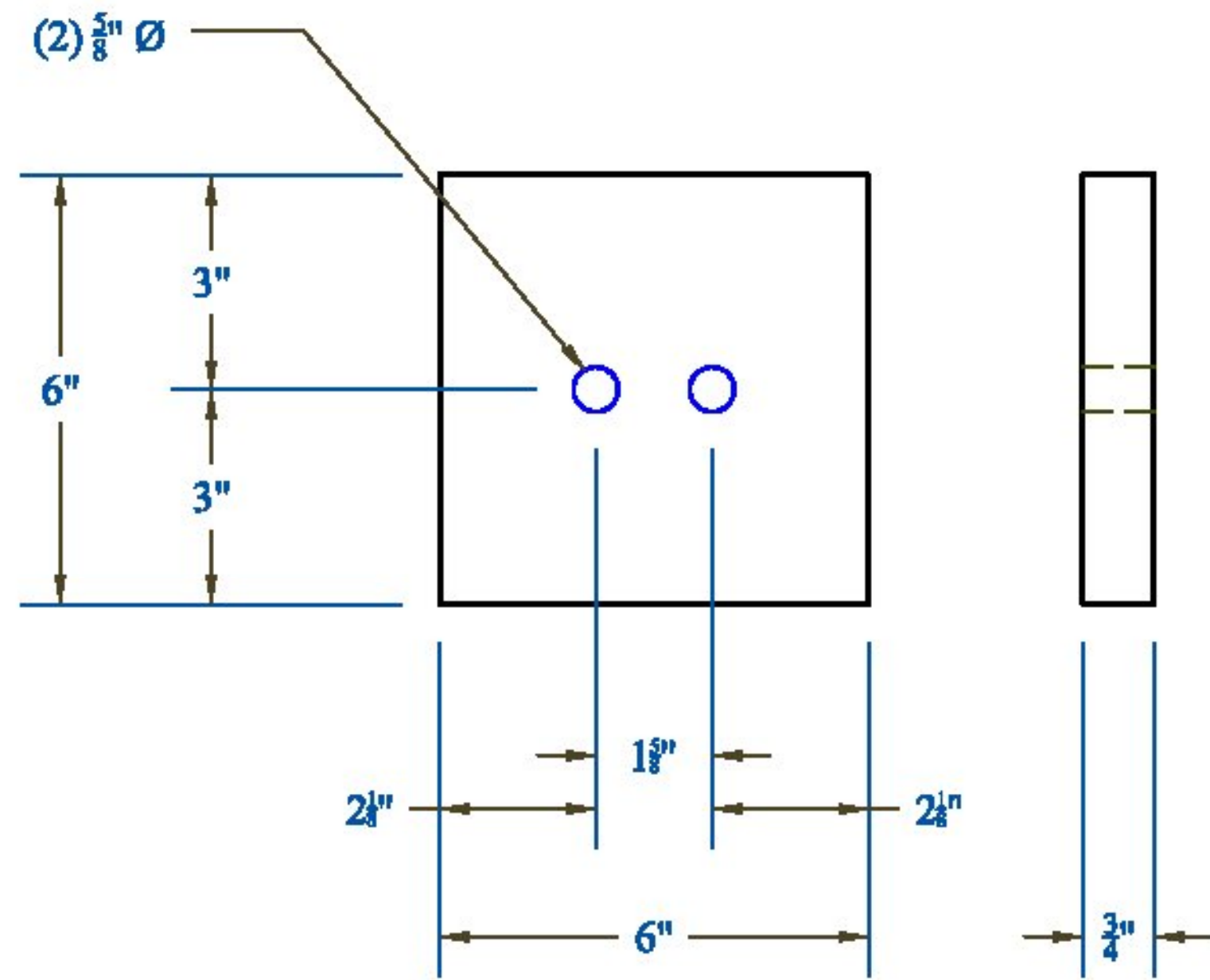
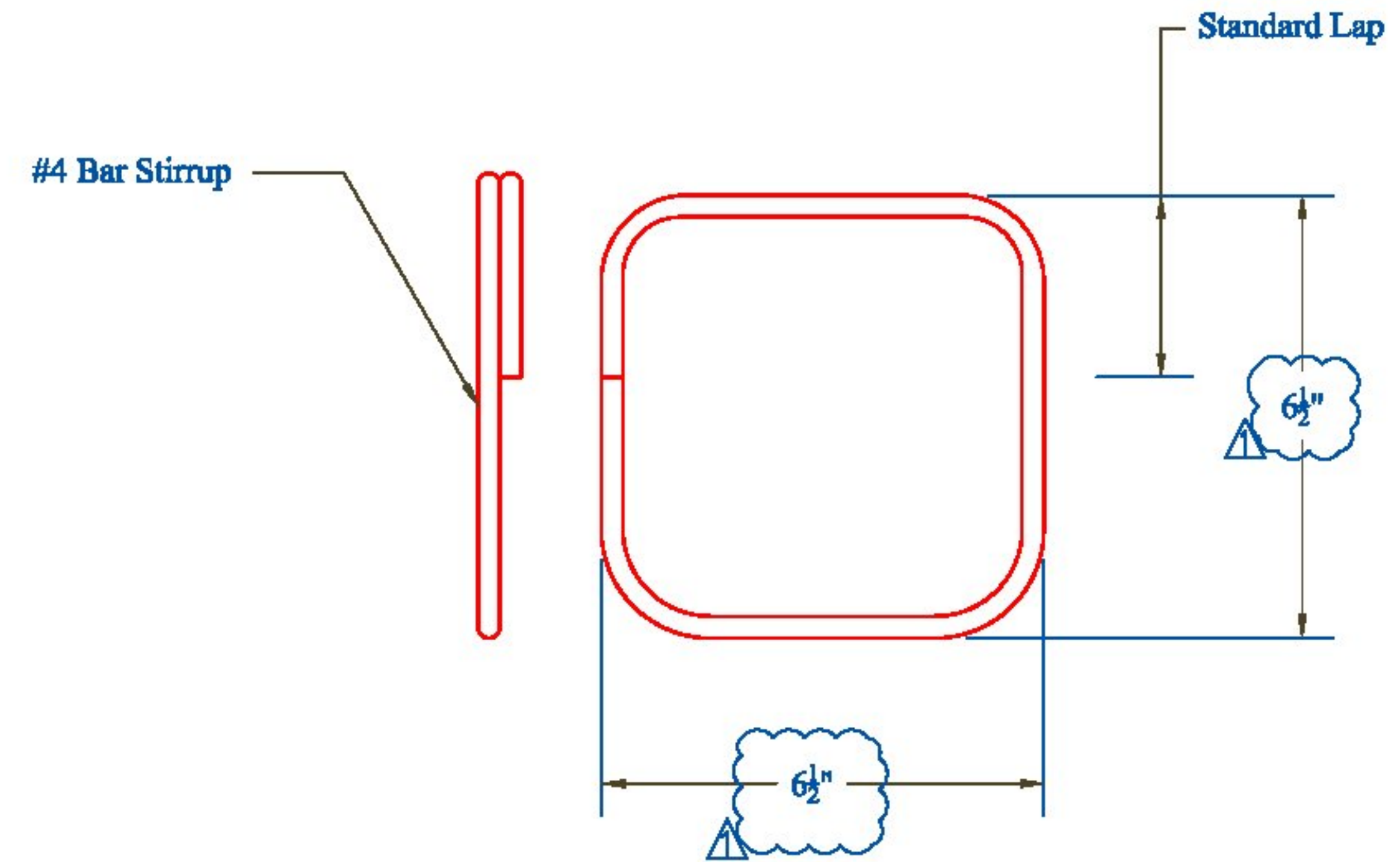


Tension Duct Bearing Plate

See Post Tensioning Note 1 on Pg. 1

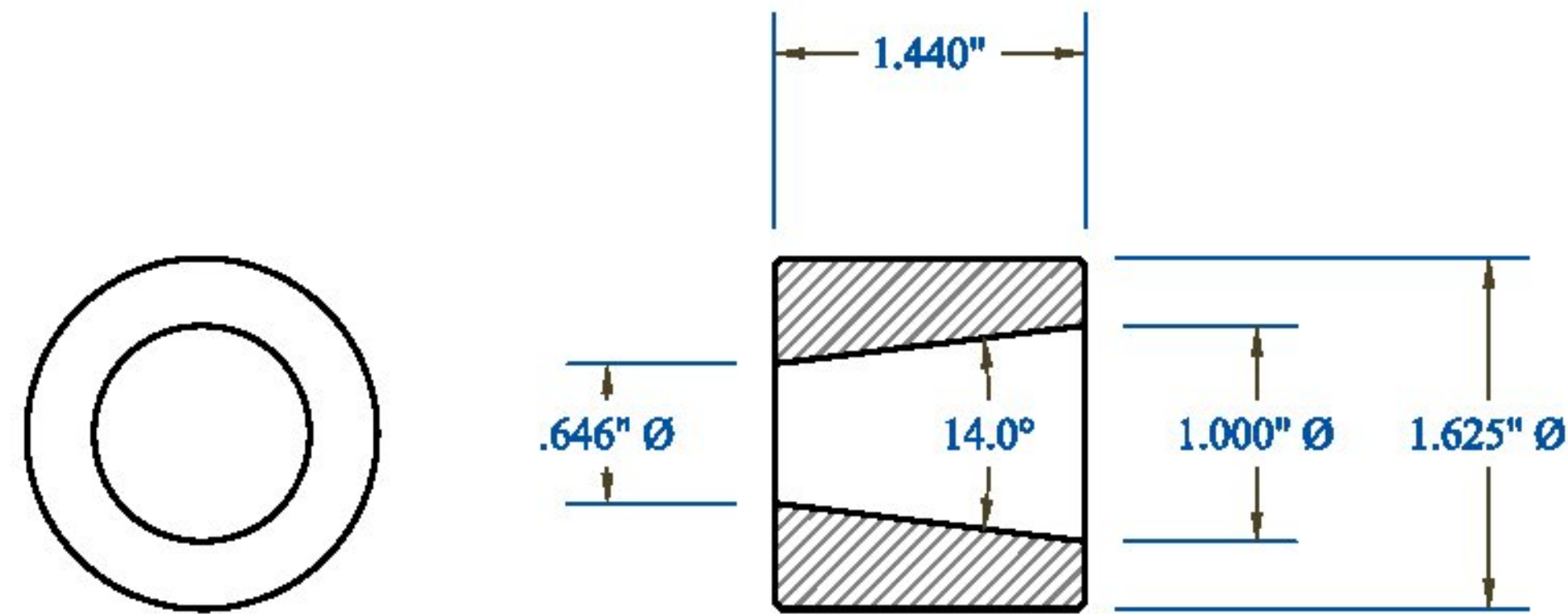


Reinforcement Detail at Tensioning Blockouts



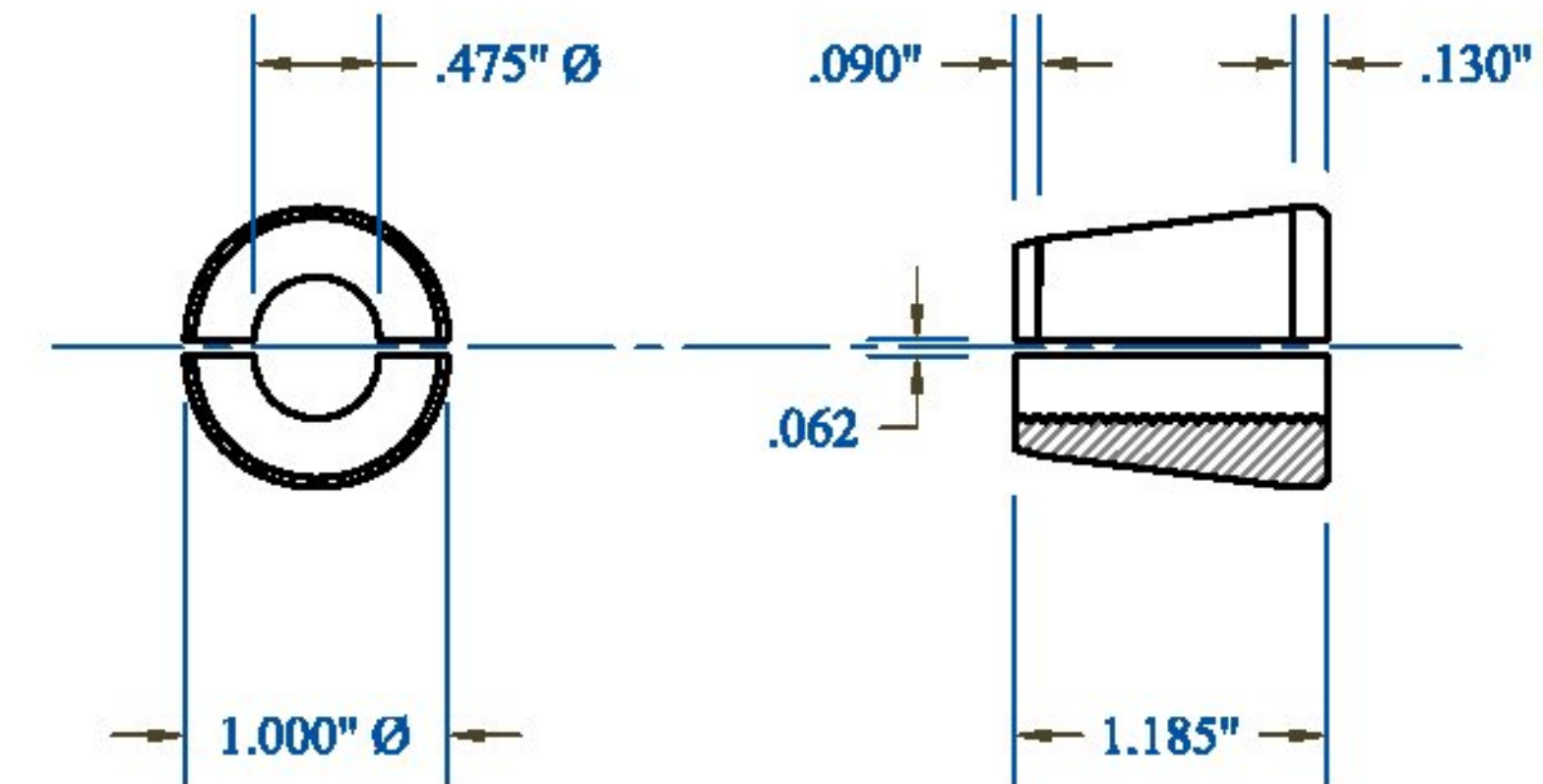
0.5" Barrel Chuck

See Post Tensioning Note 1 on Pg. 1



0.5" 2-Part Wedge

See Post Tensioning Note 1 on Pg. 1



CONTRACTORS VISIT:	<p>Vermont Agency of Transportation RECEIVED CK'D BY MEM OK'D BY CWC Apr. 17, 2015 RESUBMIT APPROVED ✓ BY C. Carlson DATE 04-17-2015</p>	Rev.	Date	By	Description	PRECAST CONCRETE ABUTMENT SHOP DRAWINGS (SDI JOB #15264)		INSTALLER:	FABRICATOR:
		1	04/16/15	IBA	Changes per State Review	SUPERVISOR: M. WHEELER	PROJECT NAME: Bristol BRP 021-1(29)	S.D. Ireland Concrete 193 Industrial Ave Williston, VT 05495	193 INDUSTRIAL AVE. WILLISTON, VT 05495 Ph: (802) 658-0201
					ENGINEER: VTAOT	PROJECT #: 021-1(29)		03/17/2015	POST_TENSIONING_1
						LOCATION: Bristol, VT			7_OF_16

