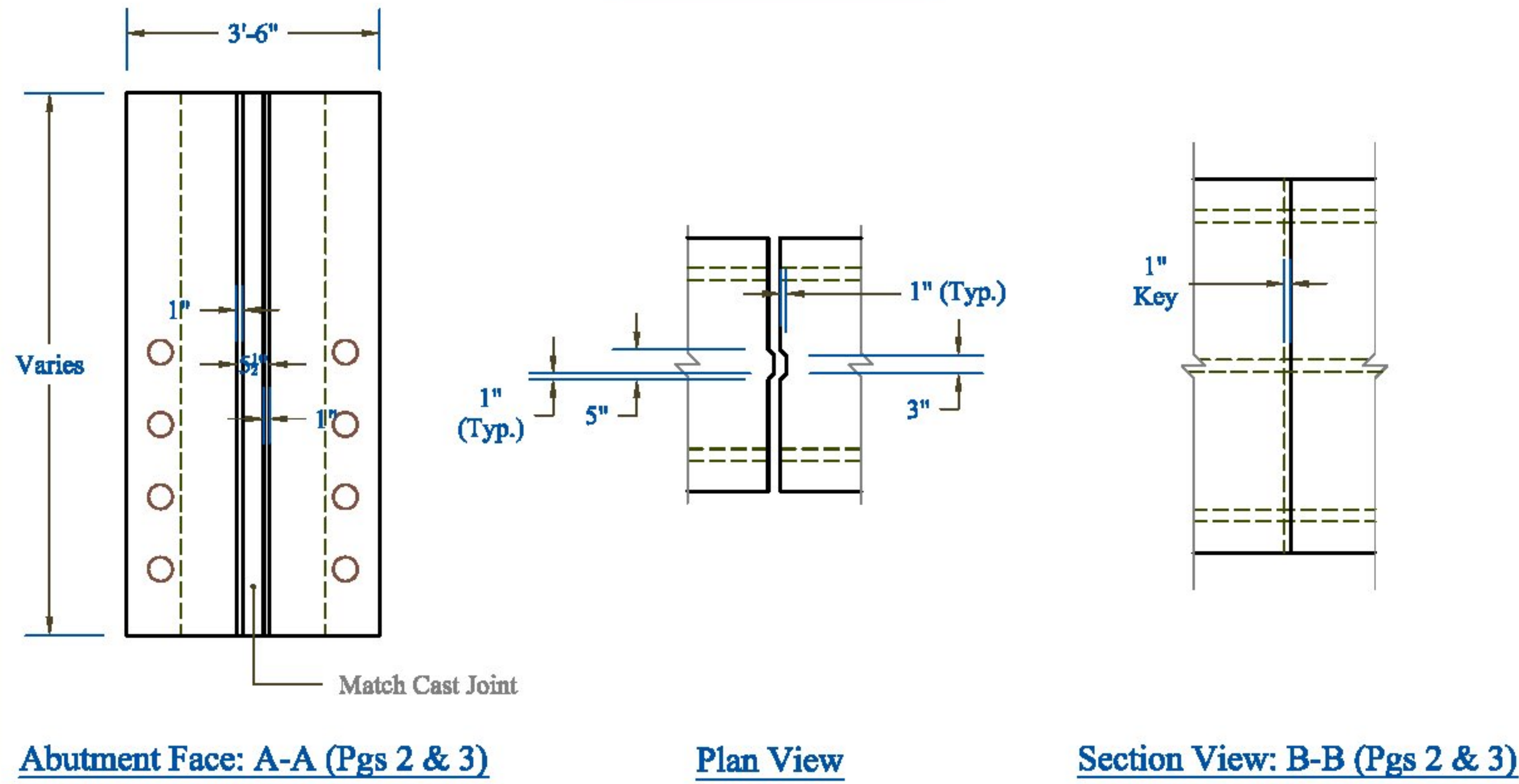
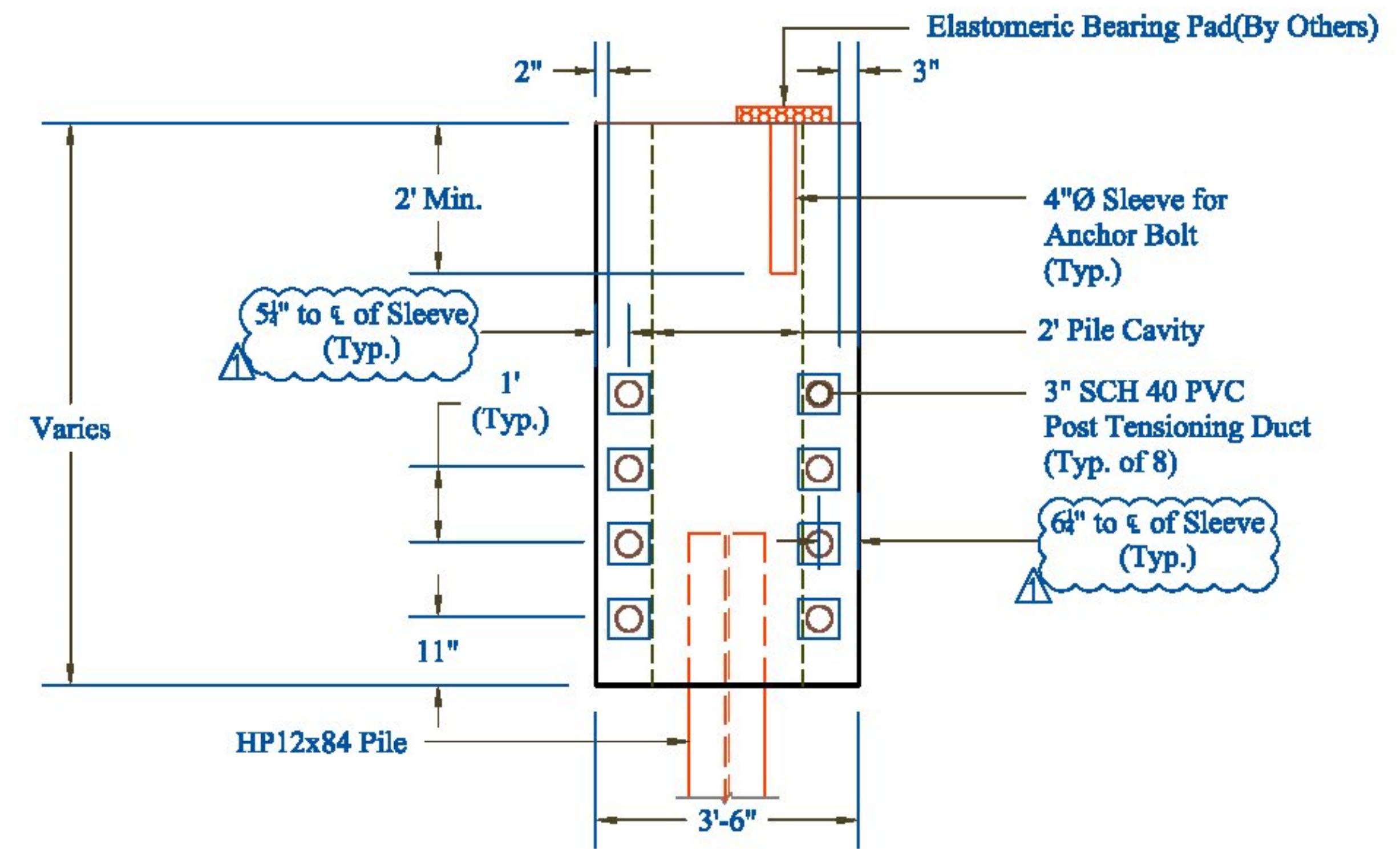


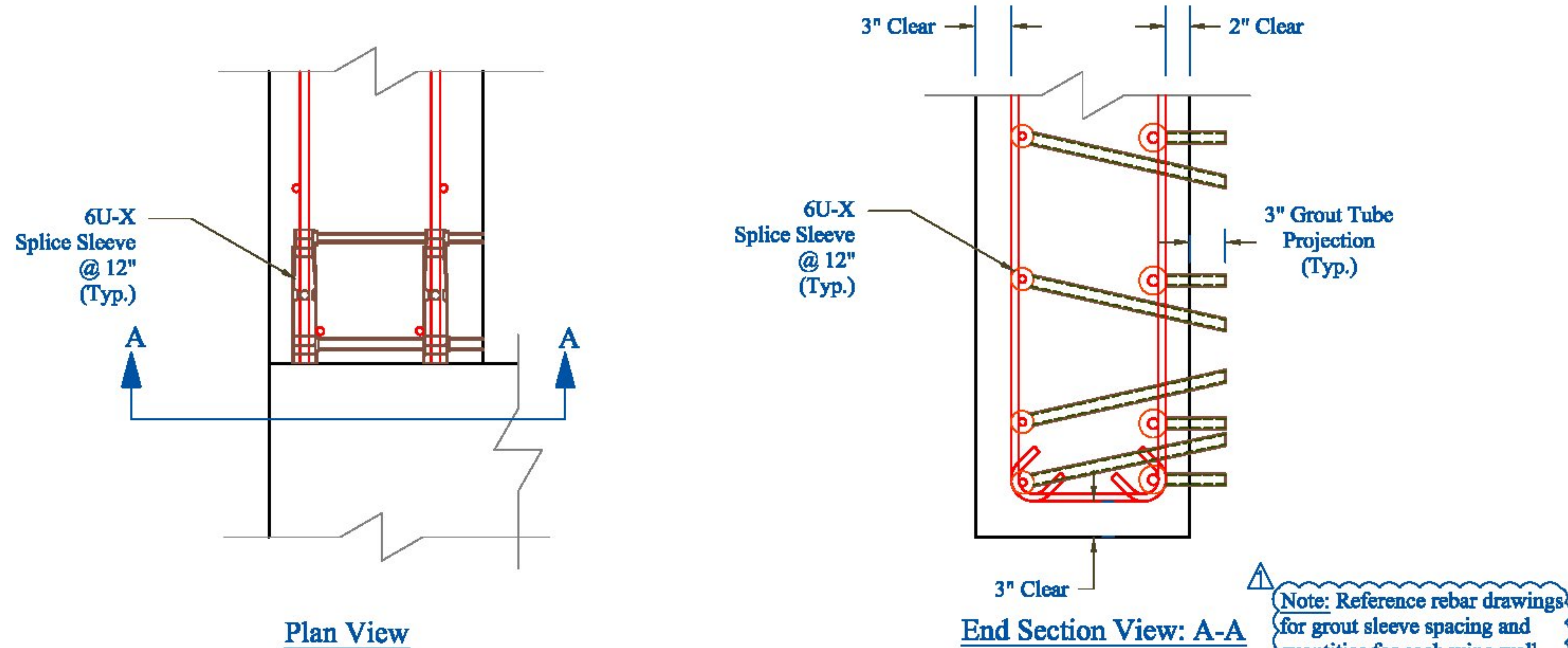
Match Cast Joint Detail



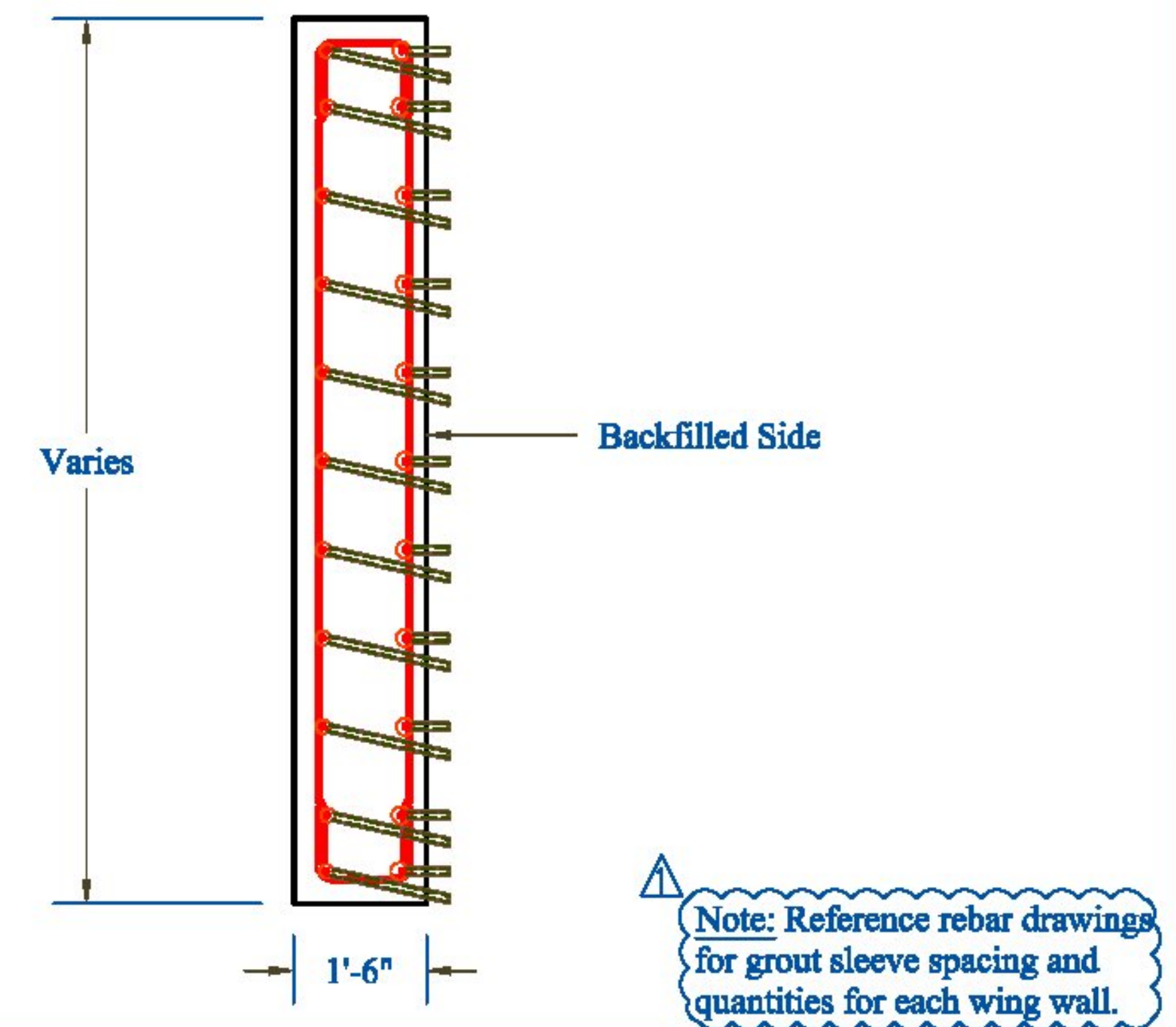
Abutment 1 & 2: Typical Section



Wingwall Grout Sleeve Detail



Wingwall 1 - 4: Typical Section



CONTRACTORS VISIT:	Vermont Agency of Transportation <b>RECEIVED</b> CK'D BY MEM OK'D BY CWC Apr. 17, 2015 RESUBMIT APPROVED ✓ BY C. Carlson DATE 04-17-2015	Rev. 1 Date 04/16/15 By IBA Description Changes per State Review	PRECAST CONCRETE ABUTMENT SHOP DRAWINGS (SDI JOB #15264) SUPERVISOR: M. WHEELER DETAILER: I. ADAMS CHECKER: E. Barendse ENGINEER: VTAOT	PROJECT NAME: Bristol BR# 021-1(29) PROJECT #: 021-1(29) LOCATION: Bristol, VT	INSTALLER: S.D. Ireland Concrete 193 Industrial Ave Williston, VT 05495 03/17/2015	FABRICATOR: 193 INDUSTRIAL AVE. WILLISTON, VT 05495 Ph: (802) 658-0201	<b>SD Ireland</b> PRECAST	DETAILS	6_OF_16
--------------------	---	---	---	---	--	---	------------------------------	---------	---------