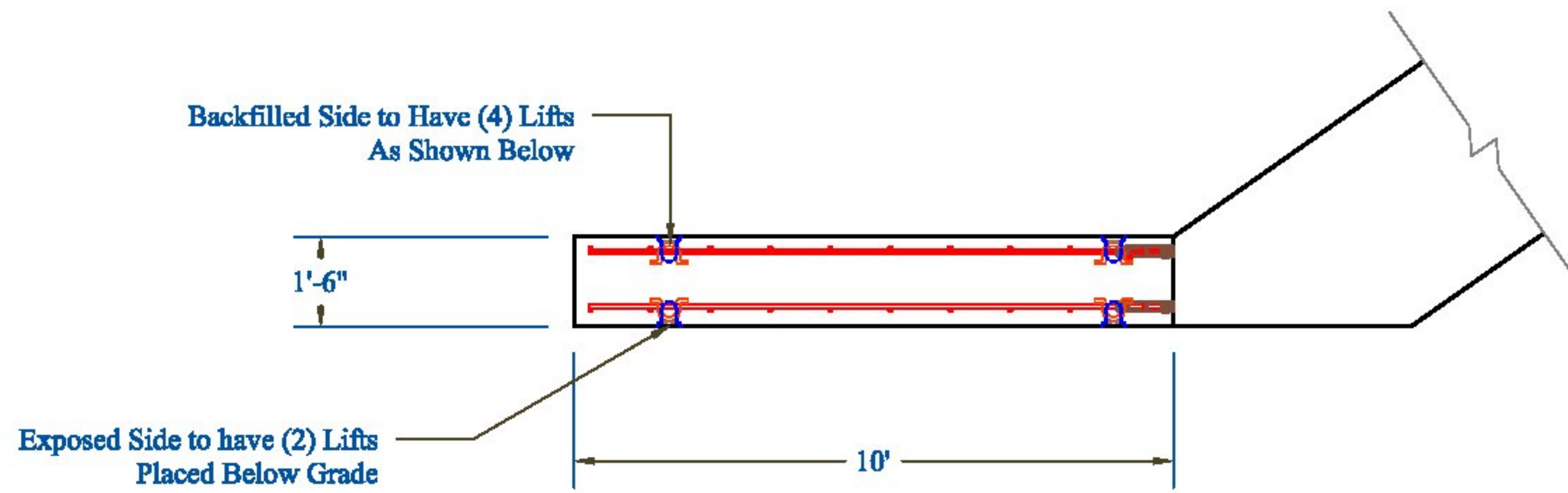


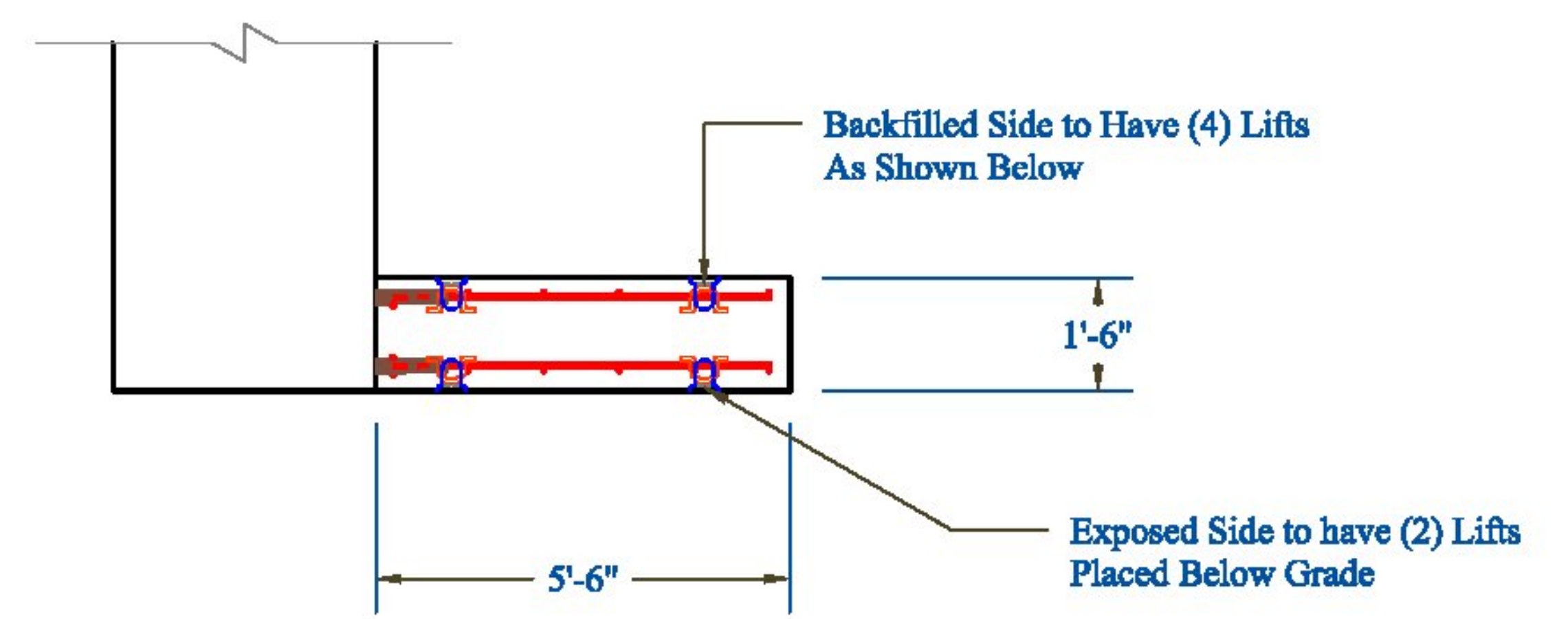
WW3: Plan View



Note: Reference rebar drawings for grout sleeve spacing and quantities for each wing wall.

Weight = 19,802 lbs

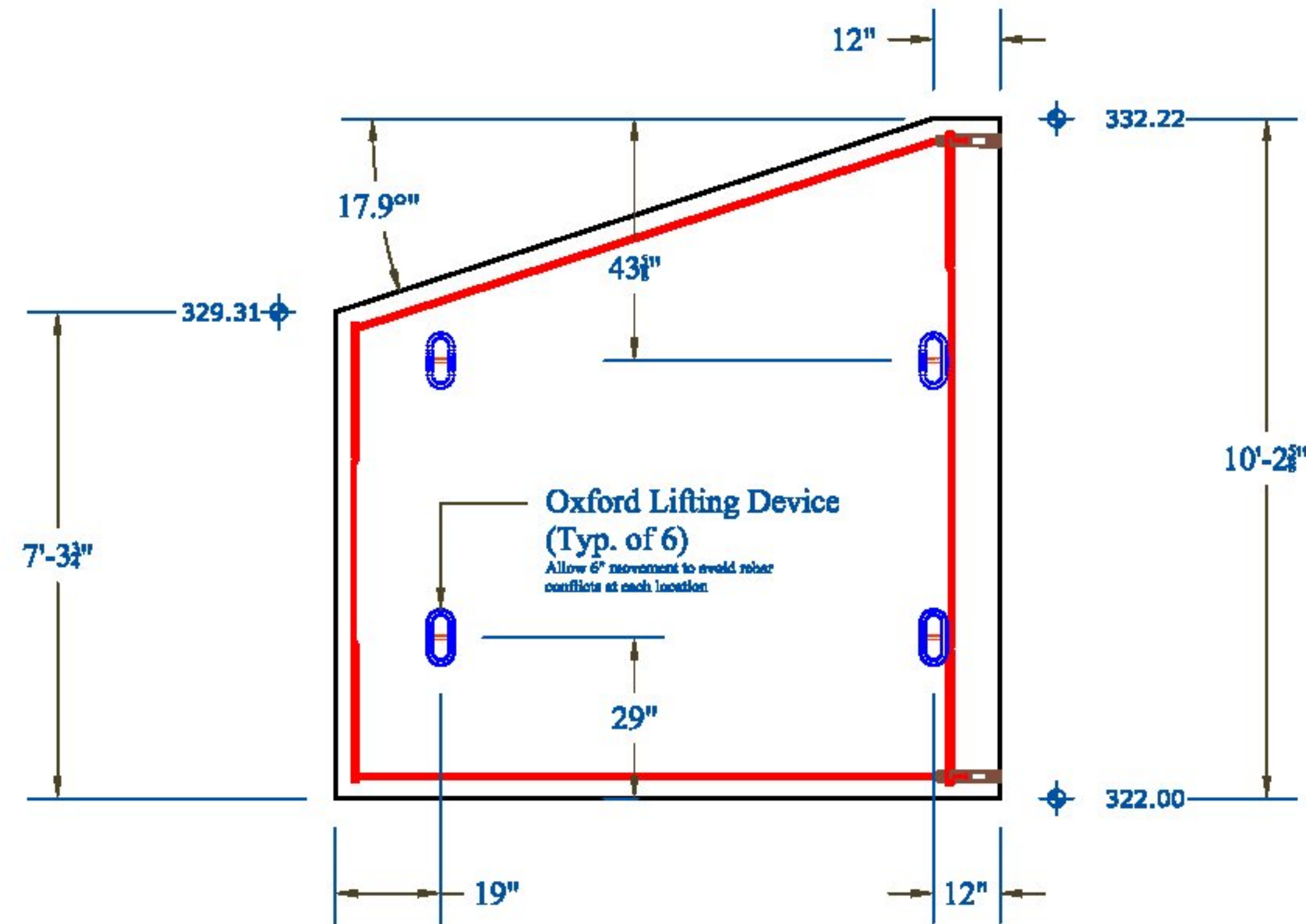
WW4: Plan View



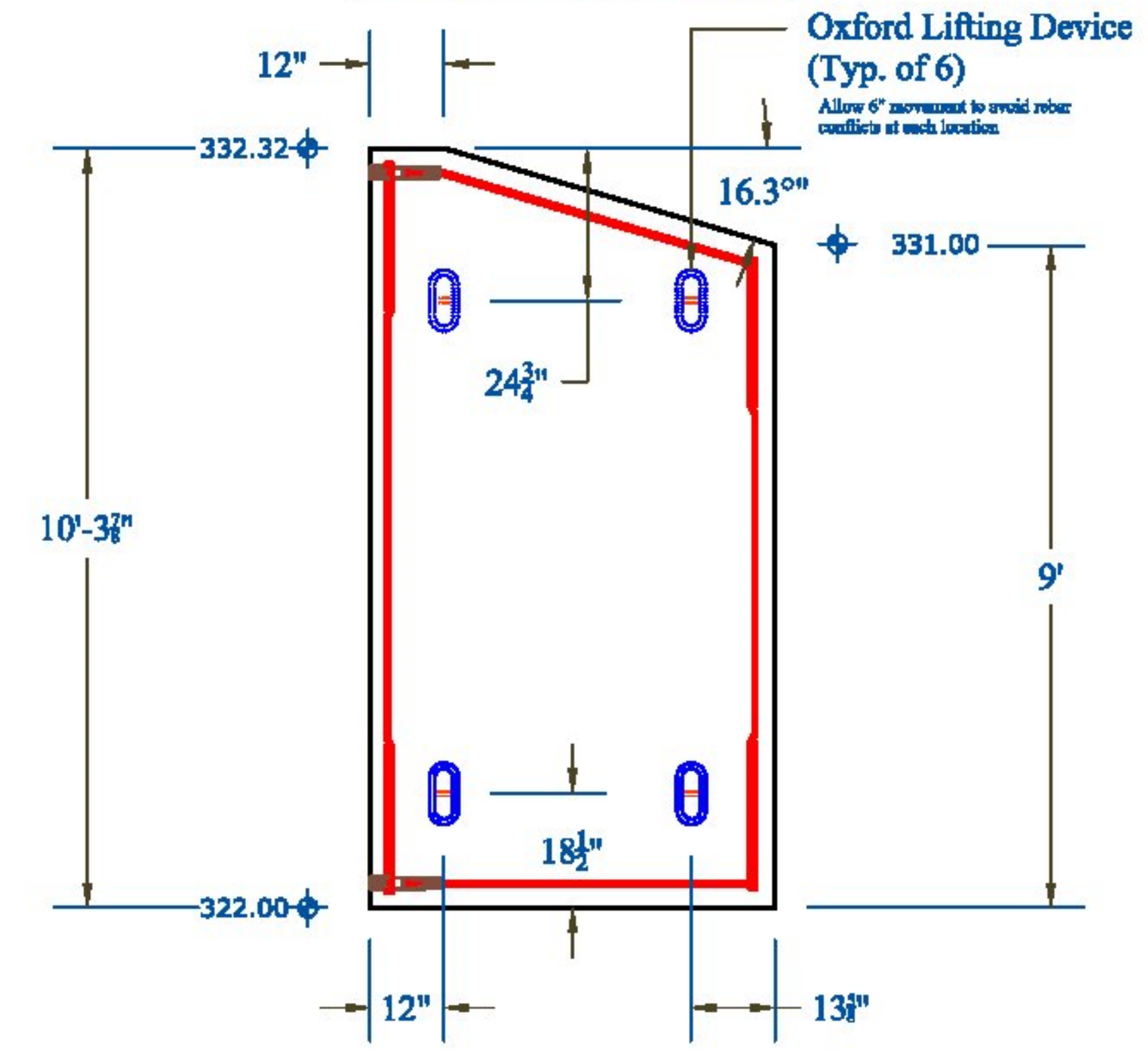
Note: Reference rebar drawings for grout sleeve spacing and quantities for each wing wall.

Weight = 11,953 lbs

WW3: Elevation View



WW4: Elevation View



CONTRACTORS VISIT:

Vermont Agency of Transportation
RECEIVED
 CK'D BY MEM OK'D BY CWC
 Apr. 17, 2015
 RESUBMIT APPROVED ✓
 BY C. Carlson DATE 04-17-2015

Rev.	Date	By	Description
1	04/16/15	IBA	Changes per State Review

PRECAST CONCRETE ABUTMENT SHOP DRAWINGS (SDI JOB #15264)
 SUPERVISOR: M. WHEELER
 DETAILER: I. ADAMS
 CHECKER: E. Barendse
 ENGINEER: VTAOT

INSTALLER:
 S.D. Ireland Concrete
 193 Industrial Ave
 Williston, VT 05495
 03/17/2015

FABRICATOR:
 193 INDUSTRIAL AVE.
 WILLISTON, VT 05495
 Ph: (802) 658-0201



WINGWALLS_2

5_OF_16