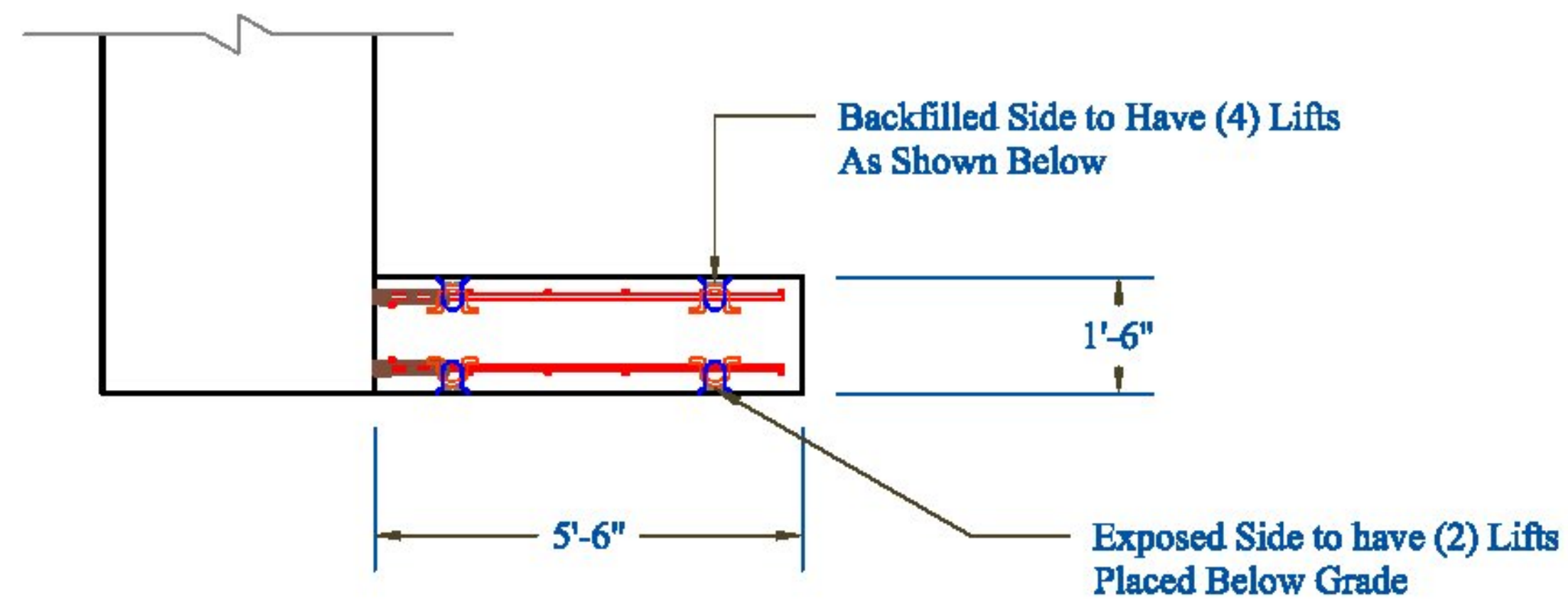


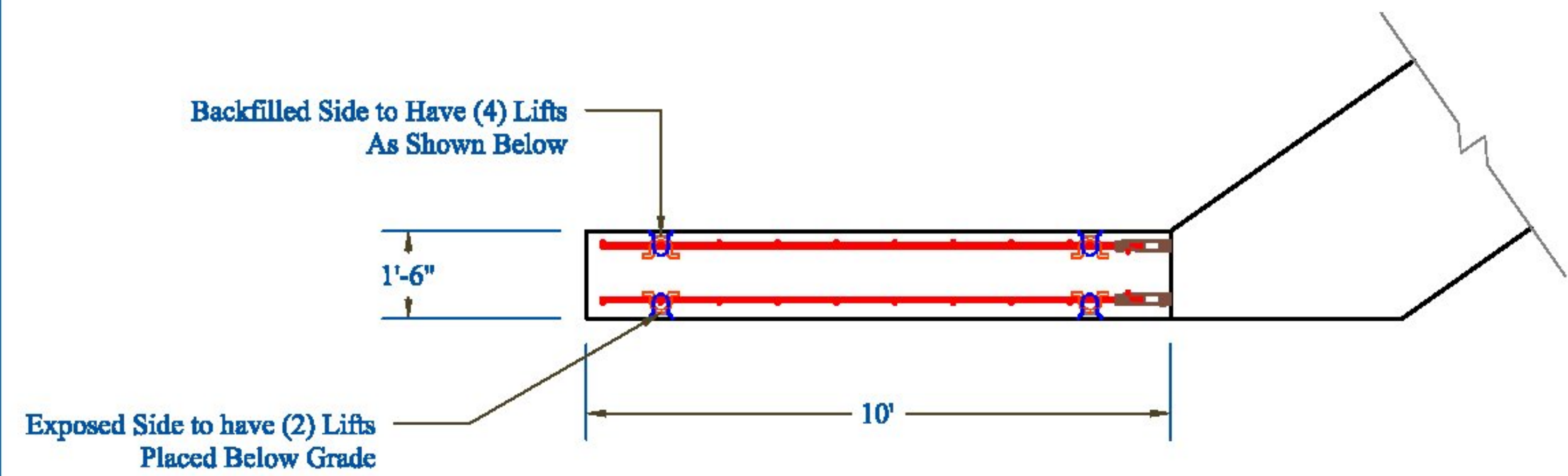
WW1: Plan View



Note: Reference rebar drawings for grout sleeve spacing and quantities for each wing wall.

Weight = 12,160 lbs

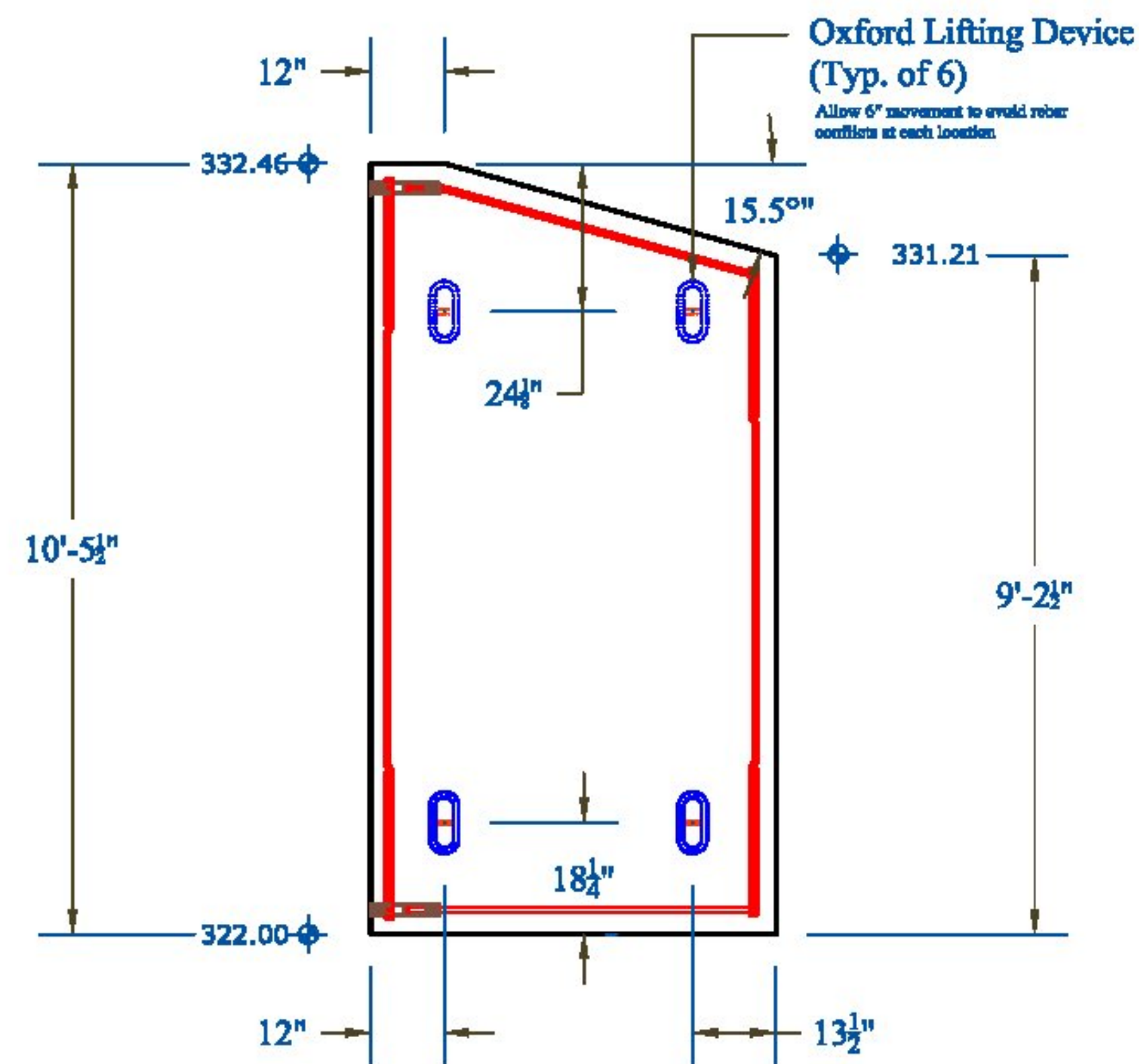
WW2: Plan View



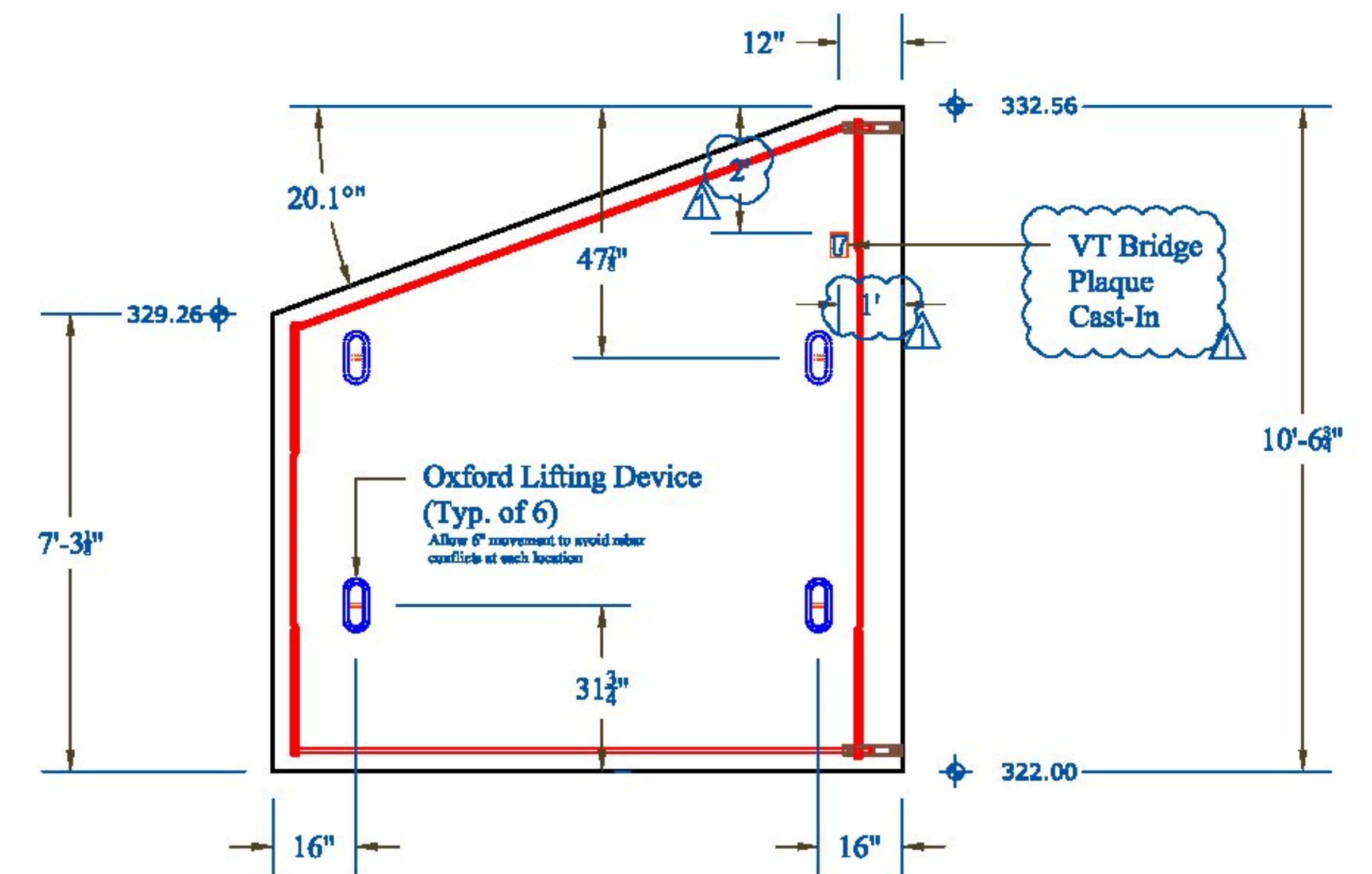
Note: Reference rebar drawings for grout sleeve spacing and quantities for each wing wall.

Weight = 20,166 lbs

WW1: Elevation View



WW2: Elevation View



CONTRACTORS VISIT:

Vermont Agency of Transportation
RECEIVED
CK'D BY MEM OK'D BY CWC
Apr. 17, 2015
RESUBMIT APPROVED ✓
BY C. Carlson DATE 04-17-2015

Rev.	Date	By	Description
1	04/16/15	IBA	Changes per State Review

PRECAST CONCRETE ABUTMENT SHOP DRAWINGS (SDI JOB #15264)
SUPERVISOR: M. WHEELER
DETAILER: I. ADAMS
CHECKER: E. Barendse
ENGINEER: VTAOT

PROJECT NAME:
Bristol BR# 021-1(29)
PROJECT #: 021-1(29)
LOCATION: Bristol, VT

INSTALLER:
S.D. Ireland Concrete
193 Industrial Ave
Williston, VT 05495
03/17/2015

FABRICATOR:
193 INDUSTRIAL AVE.
WILLISTON, VT 05495
Ph: (802) 658-0201



WINGWALLS_1

4_OF_16