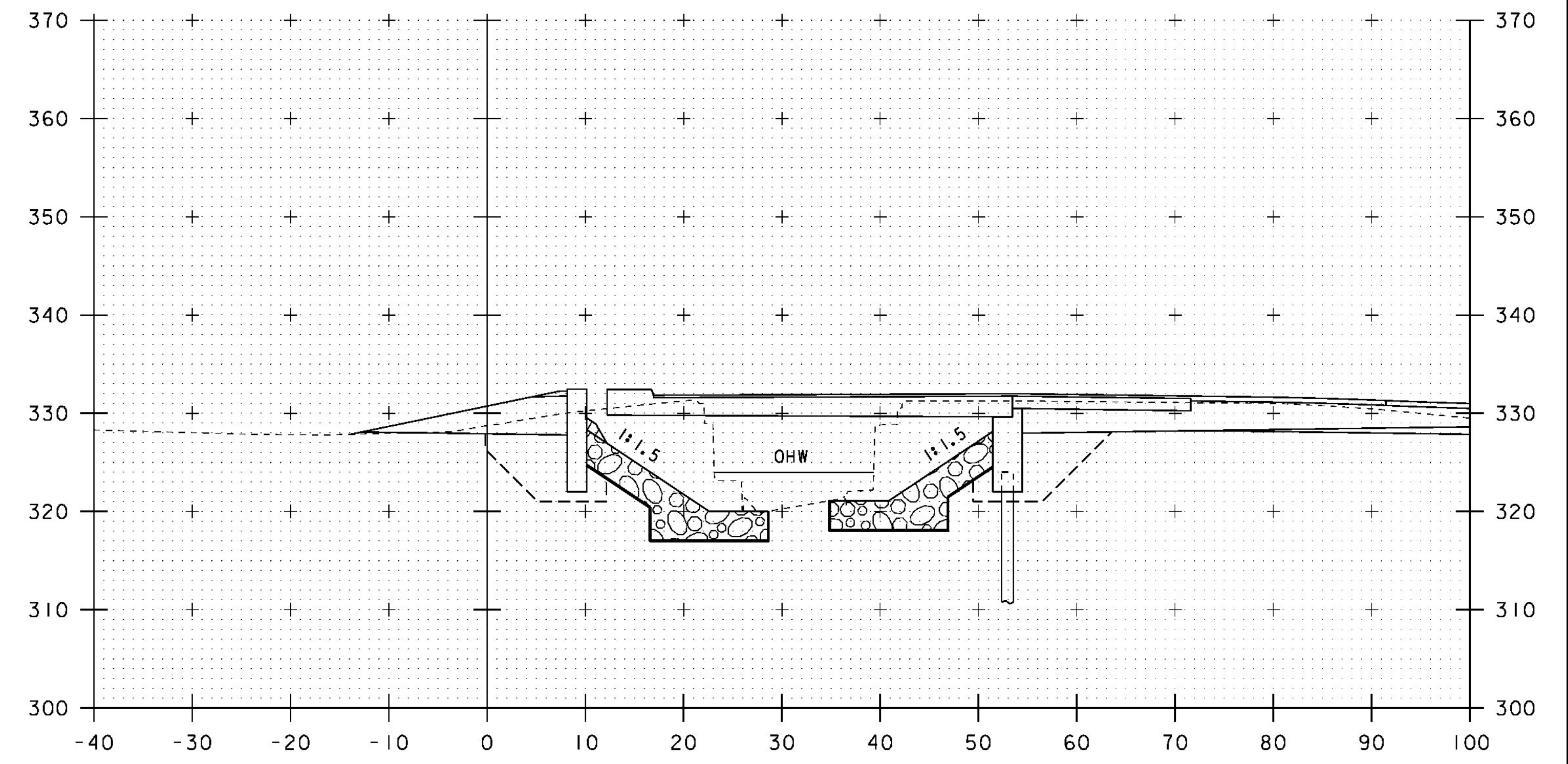


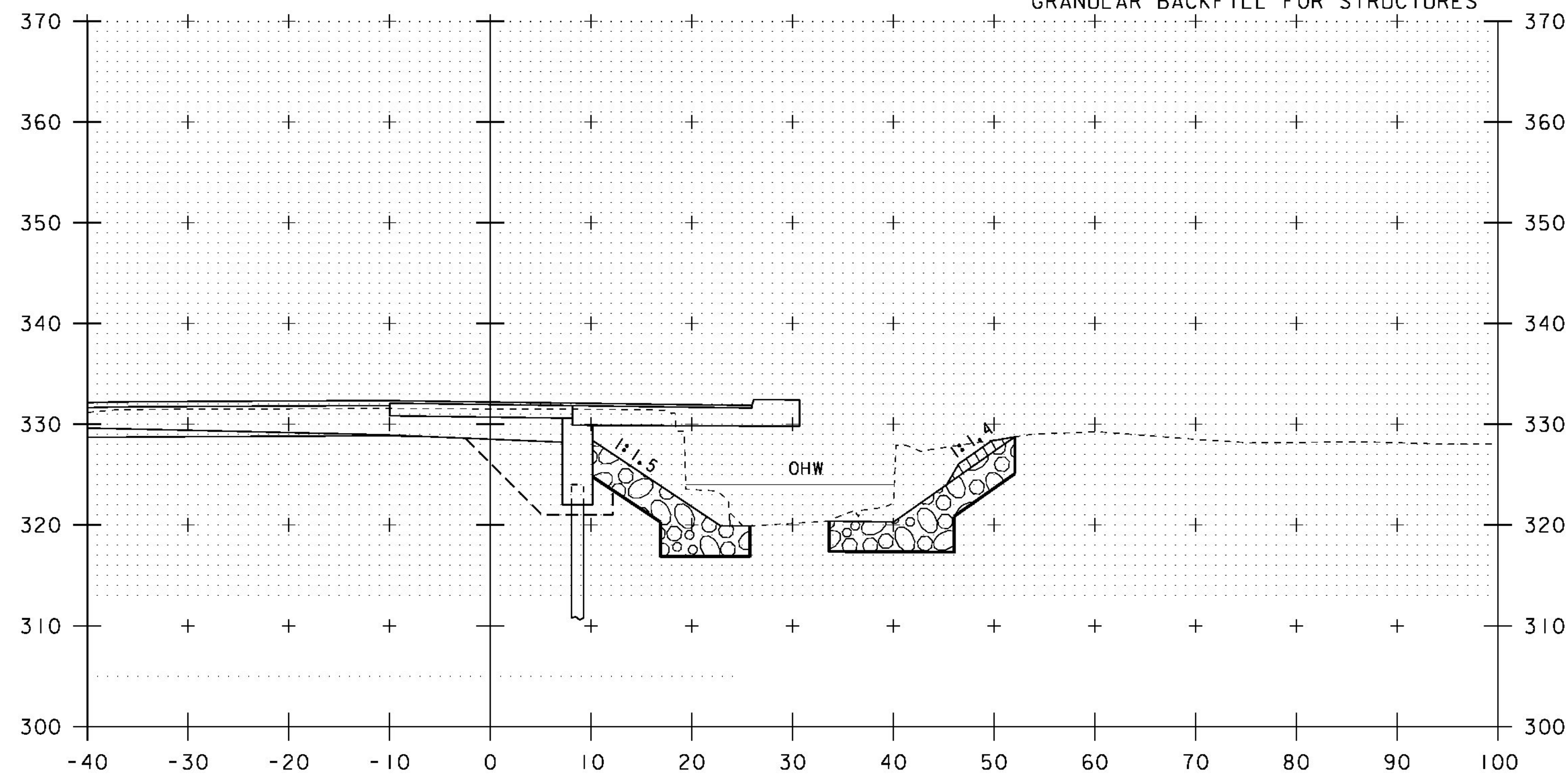
800+80

CHANNEL STA 800+80.0 FAR RT  
 END GRUBBING MATERIAL  
 CHANNEL STA 800+74.7 FAR RT  
 BEGIN STRUCTURE EXCAVATION  
 GRANULAR BACKFILL FOR STRUCTURES



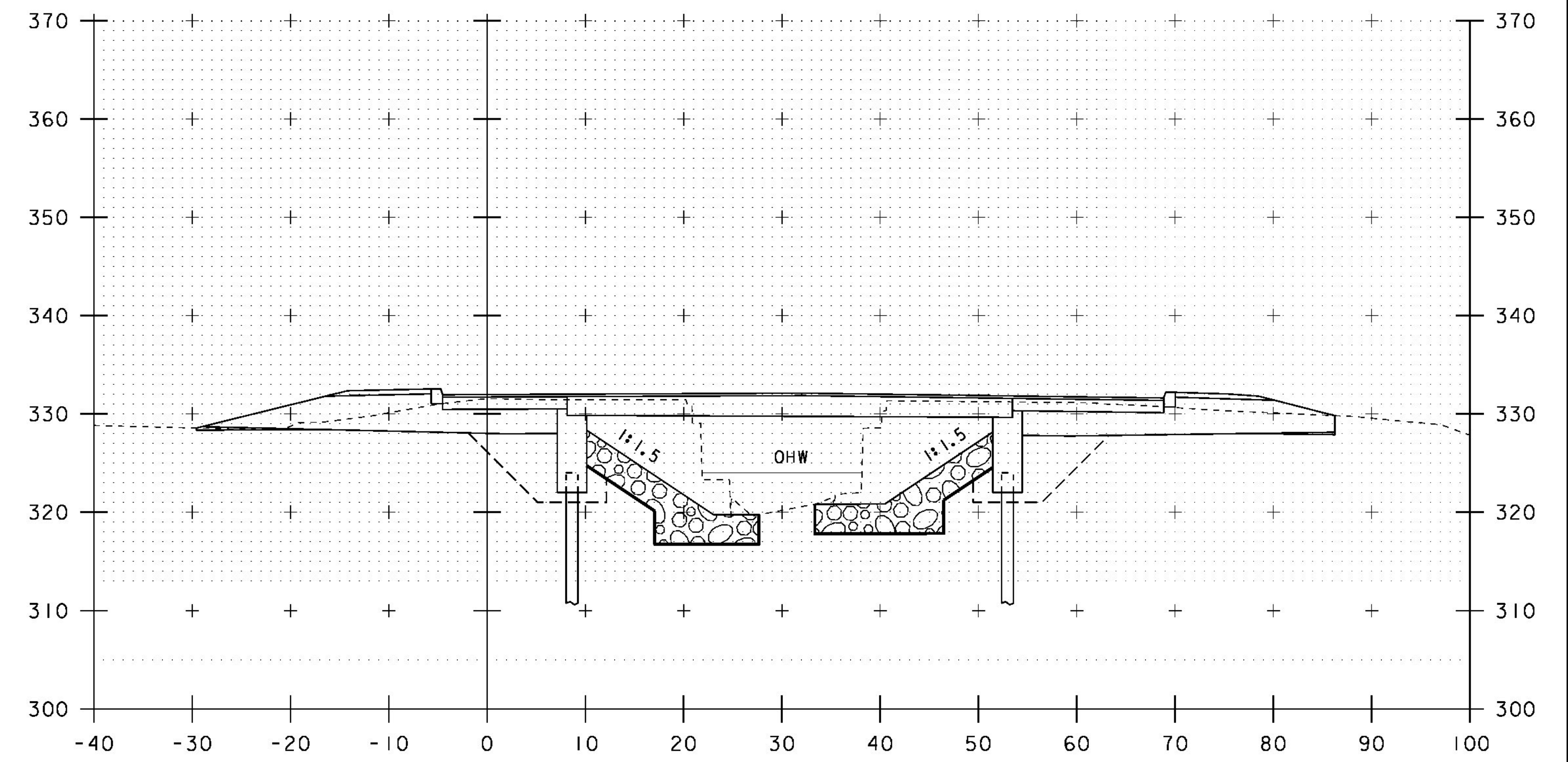
801+00

CHANNEL STA 800+99.0 RT  
 BEGIN GRUBBING MATERIAL

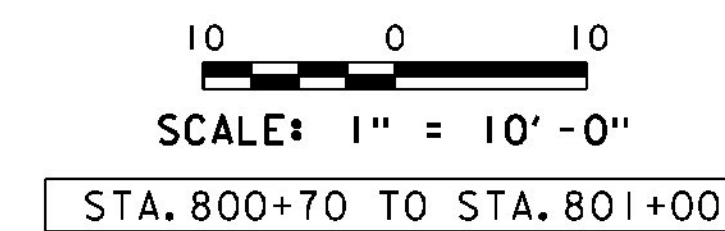


800+70

CHANNEL STA 800+61.0 RT  
 END GRUBBING MATERIAL



800+90



|                 |               |                            |                |             |               |
|-----------------|---------------|----------------------------|----------------|-------------|---------------|
| PROJECT NAME:   | BRISTOL       | FILE NAME:                 | si0b094xsl.dgn | PLOT DATE:  | 04-NOV-2014   |
| PROJECT NUMBER: | BRF 021-1(29) | PROJECT LEADER:            | C. CARLSON     | DRAWN BY:   | G. ROY        |
|                 |               | DESIGNED BY:               | G. ROY         | CHECKED BY: | EVANS-MONGEON |
|                 |               | CHANNEL CROSS SECTIONS (2) |                | SHEET       | 44 OF 54      |