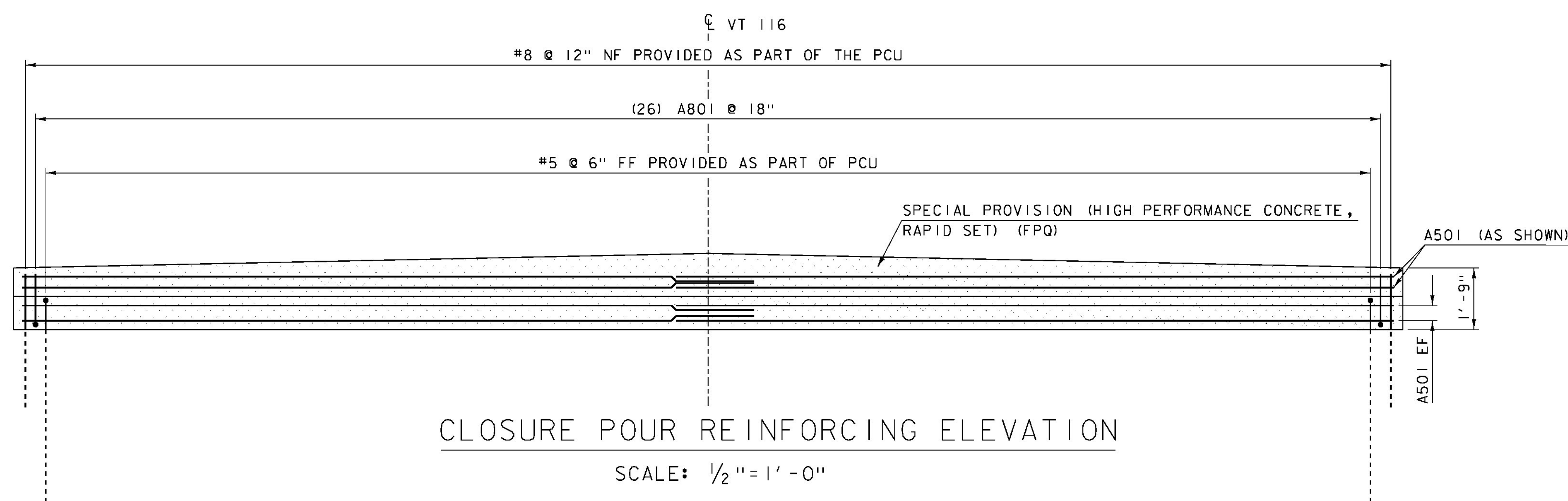


**NOTE:** NF=NEAR FACE  
FF=FAIR FACE  
EF=EACH FACE  
▲=CUT TO FIT IN FIELD  
3" CLEAR, UNLESS OTHERWISE SPECIFIED ON THE PLANS.  
2'-2" BAR LAP UNLESS OTHERWISE SPECIFIED ON THE PLANS

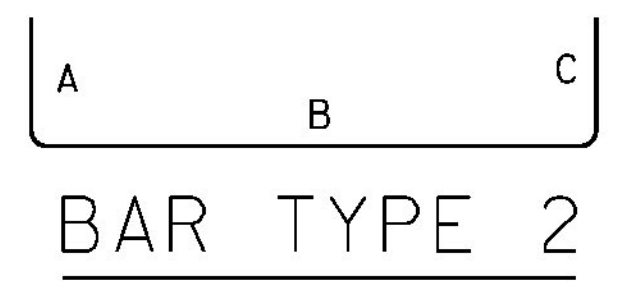


**REINFORCING STEEL NOTES**

1. UNLESS OTHERWISE DESIGNATED, ALL BAR REINFORCEMENT FOR CONCRETE IN SIZES UP TO AND INCLUDING NO. 18 SHALL CONFORM TO THE REQUIREMENTS OF THE "SPECIFICATIONS FOR DEFORMED BILLET-STEEL BARS FOR CONCRETE REINFORCEMENT", AASHTO M 31 (ASTM A 615-SI). ALL BARS SHALL BE GRADE 60, UNLESS OTHERWISE DESIGNATED.
2. FOR TYPICAL BENDING DETAILS, RECOMMENDED PIN DIAMETER "D" OF BENDS AND HOOKS, AND OTHER STANDARD PRACTICE, SEE CURRENT CONCRETE REINFORCING STEEL INSTITUTE "MANUAL OF STANDARD PRACTICE".
3. BARS WHICH REQUIRE MORE ACCURATE BENDING THAN STANDARD PRACTICES SHOULD HAVE LIMITS INDICATED.
4. ALL DIMENSIONS ARE OUT TO OUT OF BAR EXCEPT "A" AND "G" ON STANDARD 180 DEGREE AND 135 DEGREE HOOKS.
5. "J" DIMENSION ON 180 DEGREE HOOKS TO BE SHOWN ONLY WHERE NECESSARY TO RESTRICT HOOK SIZE. OTHERWISE, STANDARD HOOKS ARE TO BE USED.
6. "H" DIMENSION ON STIRRUPS TO BE SHOWN ONLY WHEN NECESSARY TO MAINTAIN CLEARANCES.
7. WHERE SLOPE DIFFERS FROM 45 DEGREES, DIMENSIONS "H" AND "K" MUST BE SHOWN.
8. ▲ DENOTES BARS TO BE CUT IN FIELD.
9. \* DENOTES ONE EXTRA BAR ADDED FOR TESTING PURPOSES.

**REINFORCING STEEL SCHEDULE**

ITEM	EACH	SIZE	LENGTH	MARK	TYPE	A	B	C	D	E	F	G	H	J	K	R	O
*	13	5	20'- 2"	1A501.2	STR	20'- 2"											
*	26	8	3'- 0"	1A801.2	2	1'- 0"	2'- 0"	---									
*	13	5	20'- 2"	2A501.2	STR	20'- 2"											
*	26	8	3'- 0"	2A801.2	2	1'- 0"	2'- 0"	---									



PROJECT NAME: BRISTOL  
PROJECT NUMBER: BRF 021-1(29)  
FILE NAME: si0b094sub.dgn PLOT DATE: 04-NOV-2014  
PROJECT LEADER: C. CARLSON DRAWN BY: R. PELLETT  
DESIGNED BY: C. MOONEY CHECKED BY: EVANS-MONGEON  
CLOSURE POUR REINFORCING DETAILS SHEET 33 OF 54