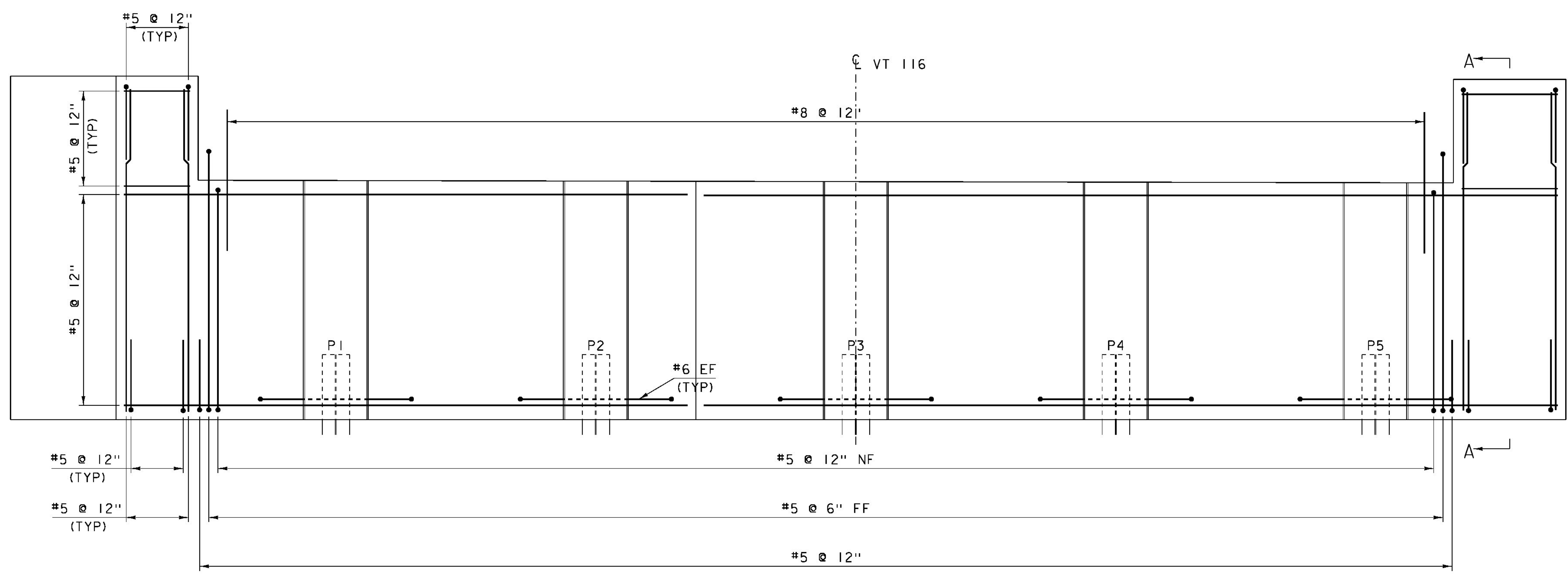


ABUTMENT #2 REINFORCING PLAN (PCU1)

SCALE: 1/2" = 1' - 0"
 (SEE SHEET "ABUTMENT #1 REINFORCING" FOR SECTION B-B)



ABUTMENT #2 REINFORCING ELEVATION (PCU1)

SCALE: 1/2" = 1' - 0"
 (SEE SHEET "ABUTMENT #1 REINFORCING" FOR SECTION A-A)

PROJECT NAME:	BRISTOL	PLOT DATE:	24-NOV-2014
PROJECT NUMBER:	BRF 021-1(29)	DRAWN BY:	R. PELLETT
FILE NAME:	si0b094sub.dgn	CHECKED BY:	EVANS-MONGEON
PROJECT LEADER:	C. CARLSON	SHEET	32 OF 54
DESIGNED BY:	C. MOONEY		
ABUTMENT #2 REINFORCING			