

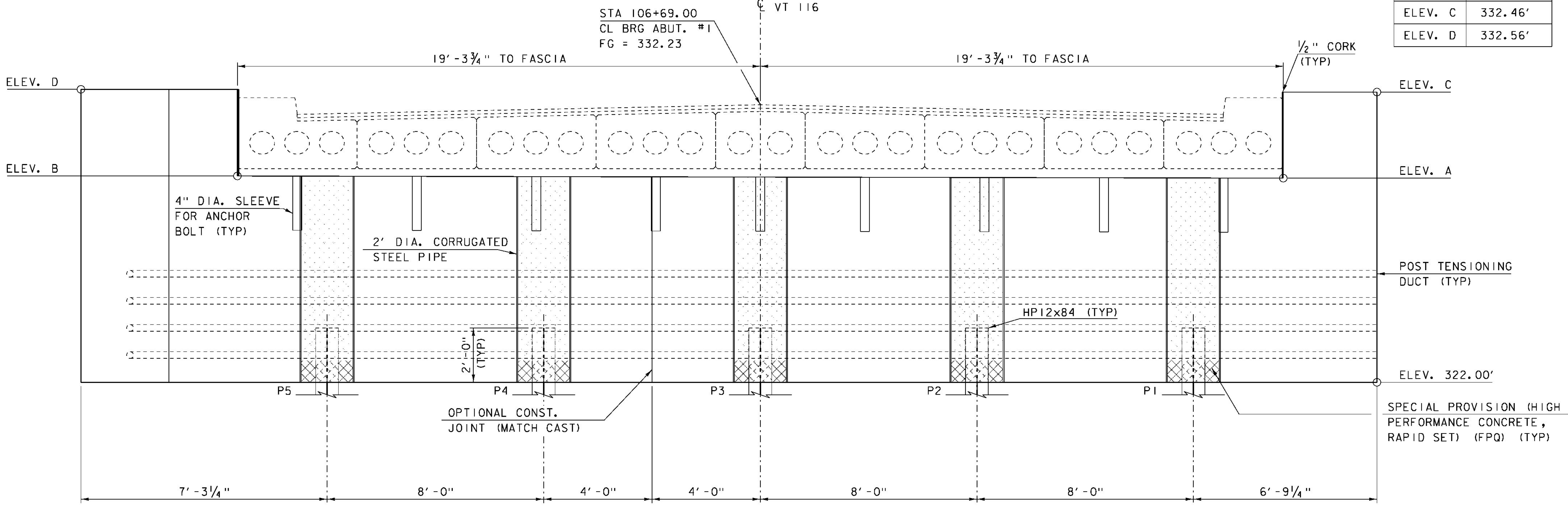
NOTE:
 NF = NEAR FACE
 FF = FAR FACE
 EF = EACH FACE
 ▲ = CUT TO FIT IN FIELD
 3" CLEAR, UNLESS OTHERWISE SPECIFIED ON THE PLANS.
 2'-2" BAR LAP UNLESS OTHERWISE SPECIFIED ON THE PLANS.

ABUTMENT #1 (PCUI)

SCALE: 1/2" = 1'-0"

ELEV ALONG CL BEARING

	ABUTMENT #1
ELEV. A	329.53'
ELEV. B	329.61'
ELEV. C	332.46'
ELEV. D	332.56'



ABUTMENT #1 ELEVATION (PCUI)

SCALE: 1/2" = 1'-0"

NOTES:
 1) POST-TENSIONING AND ASSOCIATED ITEMS ONLY REQUIRED IF PRECAST ABUTMENT IS CONSTRUCTED IN MORE THAN ONE PIECE.

PROJECT NAME: BRISTOL	FILE NAME: si0b094sub.dgn	PLOT DATE: 24-NOV-2014
PROJECT NUMBER: BRF 021-1(29)	PROJECT LEADER: C. CARLSON	DRAWN BY: R. PELLETT
	DESIGNED BY: C. MOONEY	CHECKED BY: EVANS-MONGEON
	ABUTMENT #1 DETAILS	SHEET 29 OF 54