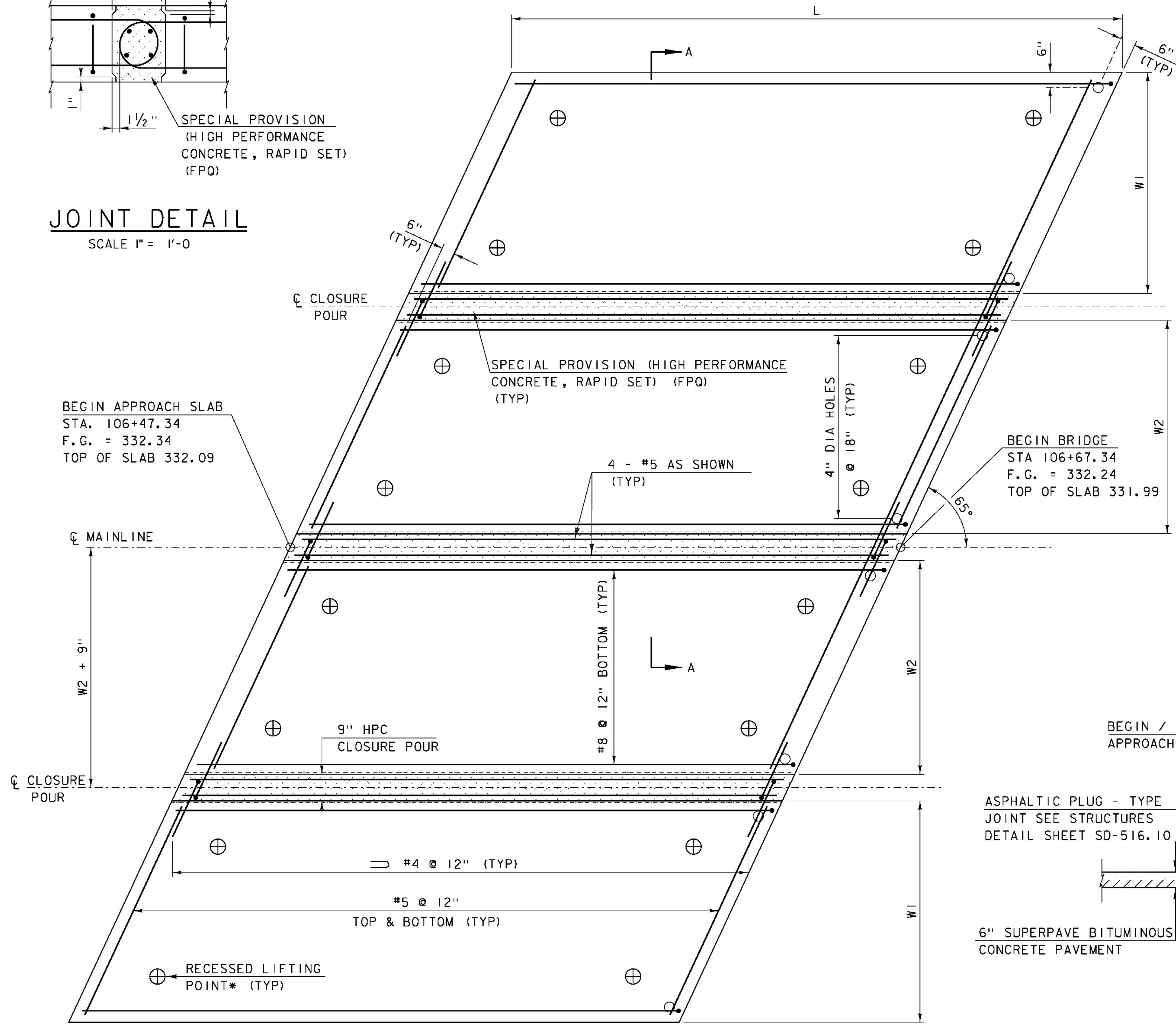
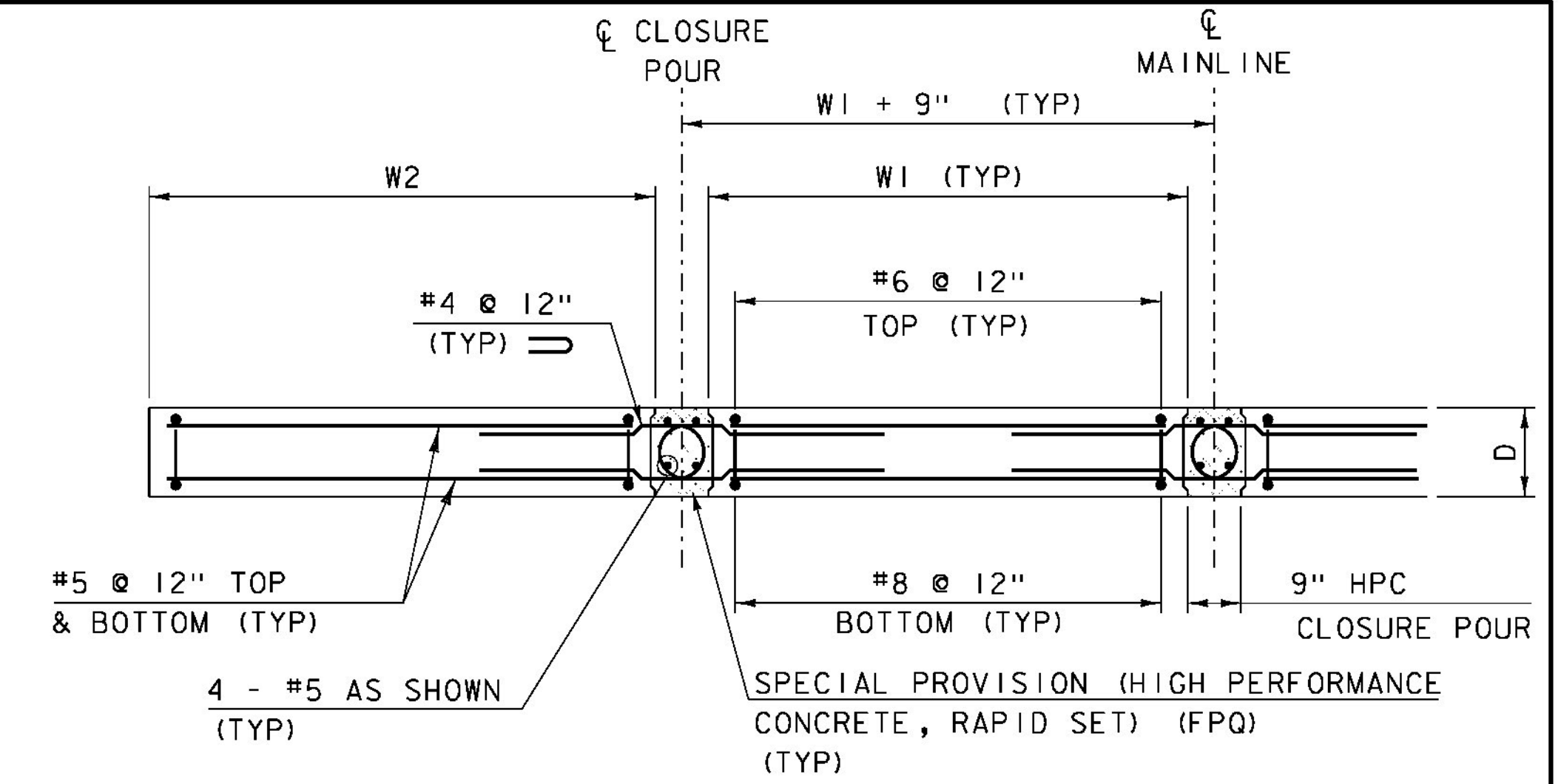


JOINT DETAIL
SCALE 1" = 1'-0"



* ALTERNATE LIFTING POINTS MAY BE SUBMITTED WITH CALCULATIONS FOR NEW LOCATIONS.

APPROACH SLAB I PLAN VIEW
SCALE 1/2" = 1'-0"



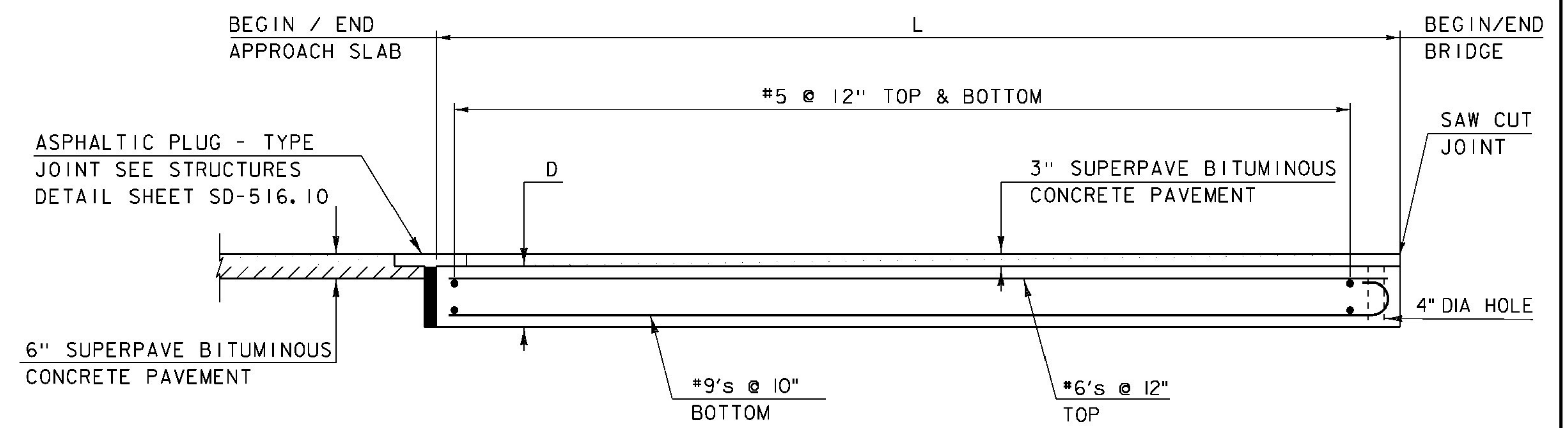
SECTION A-A
SCALE 1/2" = 1'-0"

D	1'-3"
L	20'-0"
W1	7'-3"
W2	7'-0"

APPROACH SLAB DIMENSIONS

	STATION	@ 15'-6" OFFSET
BEGIN AS#1 LT	106+54.57	331.75
BEGIN AS#1 RT	106+40.11	331.82
END AS#1 LT	106+74.57	331.65
END AS#1 RT	106+60.11	331.72

APPROACH SLAB ELEVATIONS
ALL ELEVATIONS ARE TOP OF SLAB



APPROACH SLAB ELEVATION VIEW
SCALE 1/2" = 1'-0"

NOTE:

- NF = NEAR FACE
- FF = FAR FACE
- EF = EACH FACE
- ▲ = CUT TO FIT IN FIELD
- 3" CLEAR, UNLESS OTHERWISE SPECIFIED ON THE PLANS.
- 2'-2" BAR LAP UNLESS OTHERWISE SPECIFIED ON THE PLANS.

PROJECT NAME: BRISTOL
PROJECT NUMBER: BRF 021-1(29)

FILE NAME: si0b094sub.dgn
PROJECT LEADER: C. CARLSON
DESIGNED BY: C. MOONEY
APPROACH SLAB #1 DETAILS

PLOT DATE: 05-DEC-2014
DRAWN BY: R. PELLETT
CHECKED BY: EVANS-MONGEON
SHEET 27 OF 54