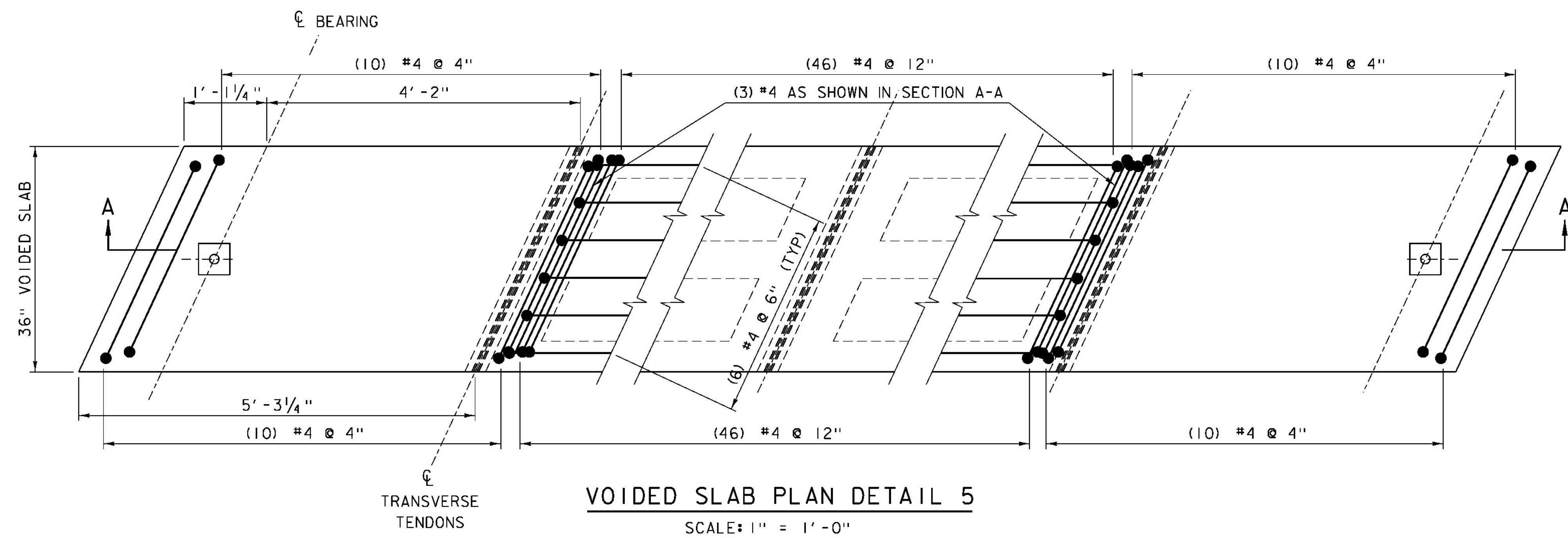


**VOIDED SLAB UNIT #5 TYPICAL**

SCALE: 1 1/2" = 1'-0"

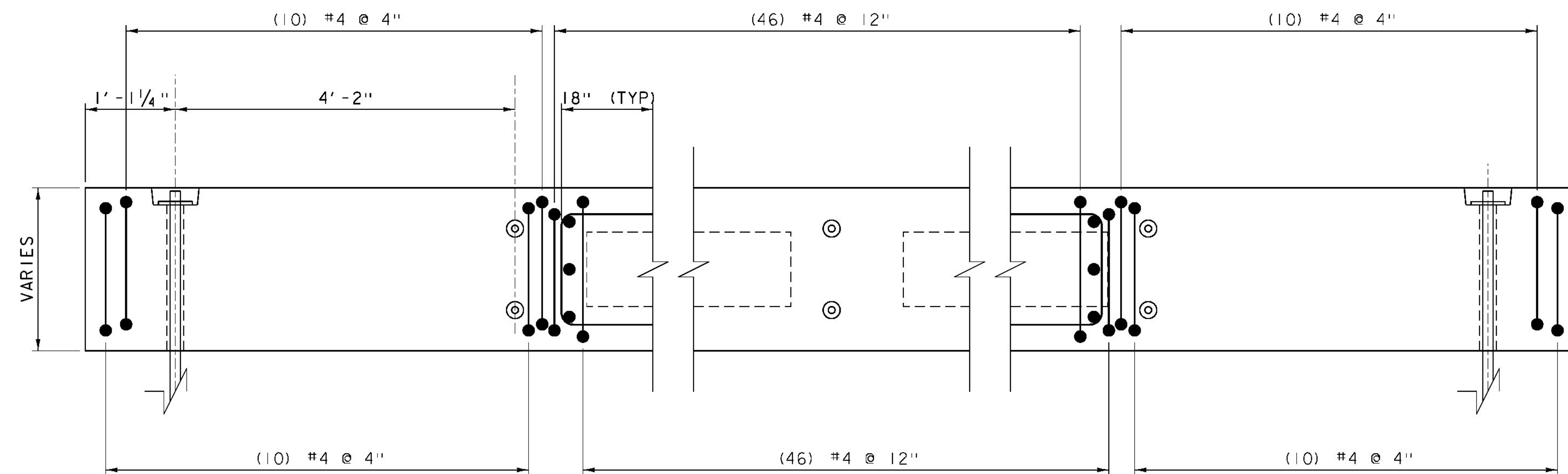
VOIDED SLAB UNIT	QUANTITY	( X ) DIMENSION	( Y ) DIMENSION	BOTTOM STRAND COUNT	TOP STRAND COUNT
#5	1	24 1/2"	24 1/2"	12	2

NOTE:  
ROADWAY CROWN AT CENTER OF VOIDED SLAB UNIT #5 IS ACHIEVED BY VARIING THE PAVEMENT DEPTH BY 3/8"



**VOIDED SLAB PLAN DETAIL 5**

SCALE: 1" = 1'-0"



**VOIDED SLAB SECTION A-A 5**

SCALE: 1" = 1'-0"

PROJECT NAME: BRISTOL  
PROJECT NUMBER: BRF 021-1(29)

FILE NAME: si0b094sup.dgn PLOT DATE: 04-NOV-2014  
PROJECT LEADER: C. CARLSON DRAWN BY: R. PELLETT  
DESIGNED BY: C. MOONEY CHECKED BY: EVANS-MONGEON  
BRIDGE VOIDED SLAB DETAILS (4) SHEET 26 OF 54