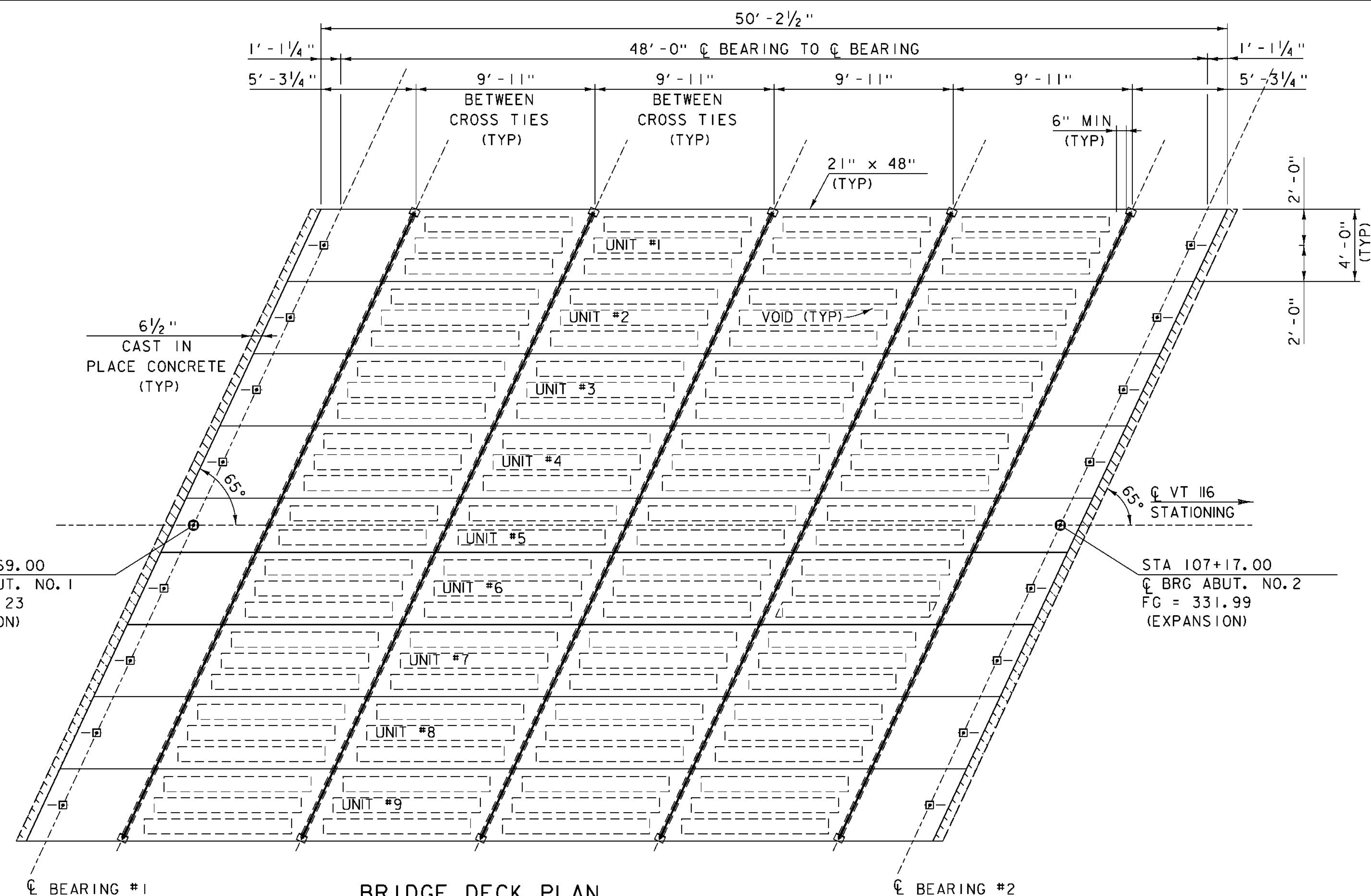


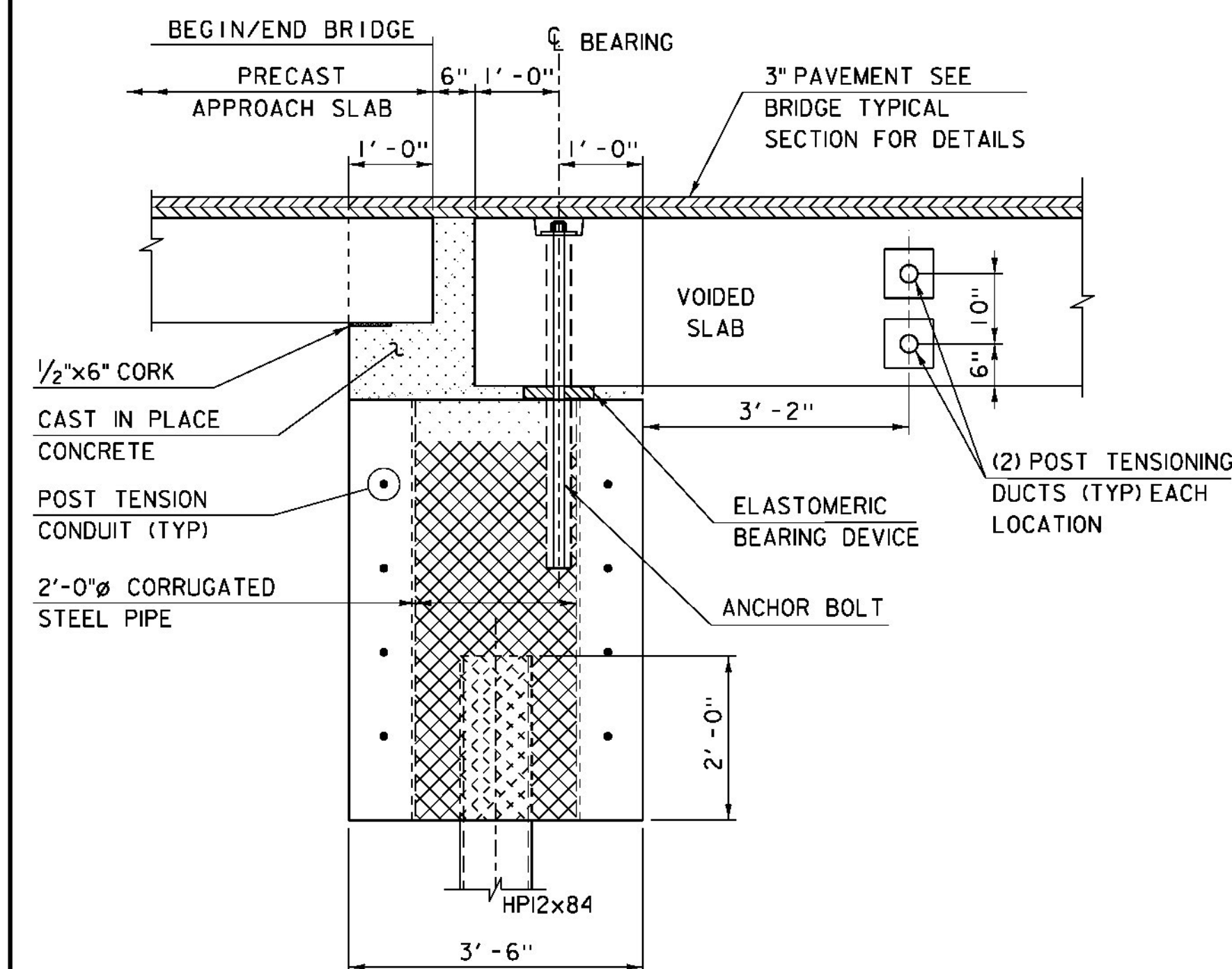
BEARING PAD PLACEMENT DETAIL

SCALE: 1" = 1'-0"



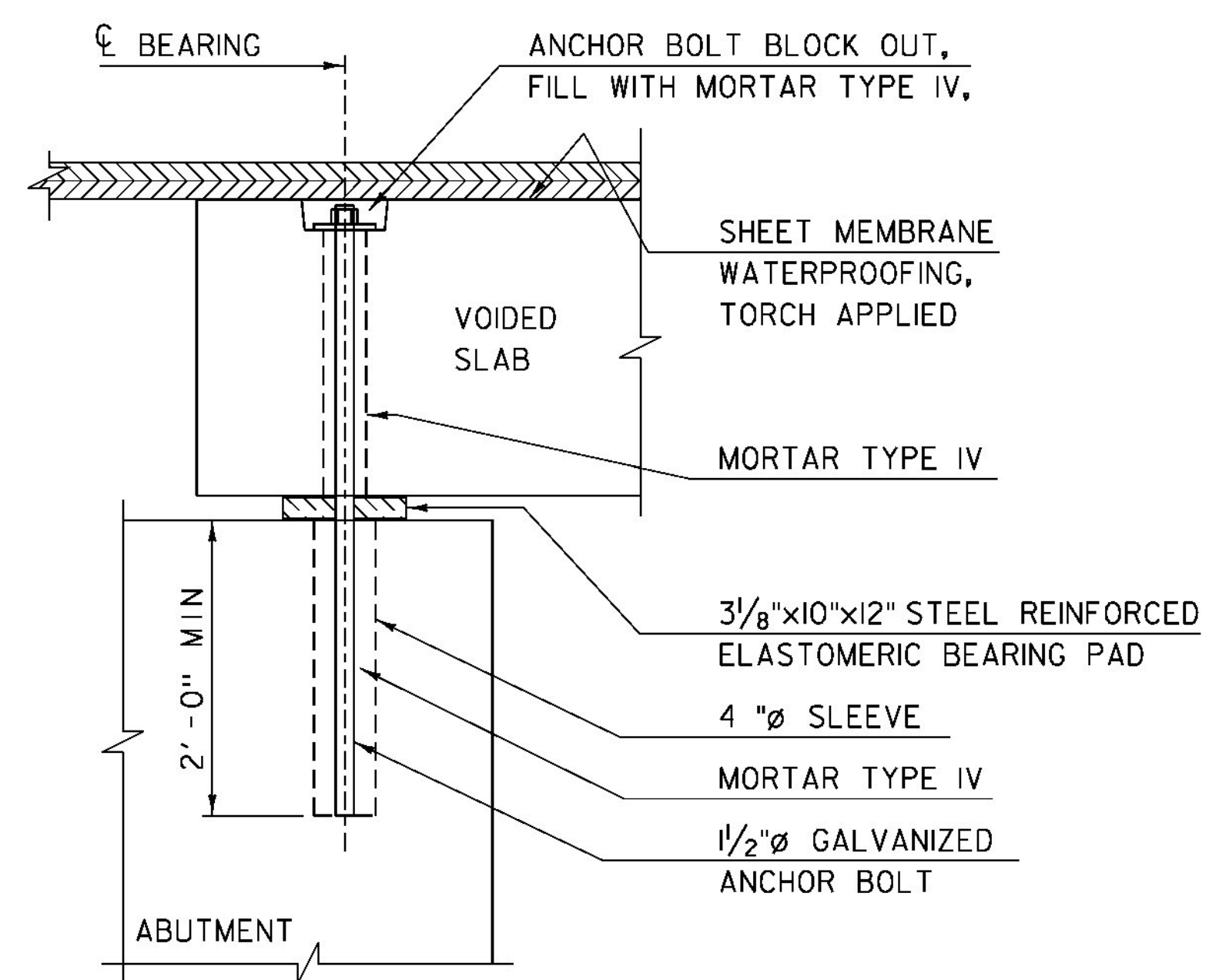
BRIDGE DECK PLAN

SCALE: 1/4" = 1'-0"



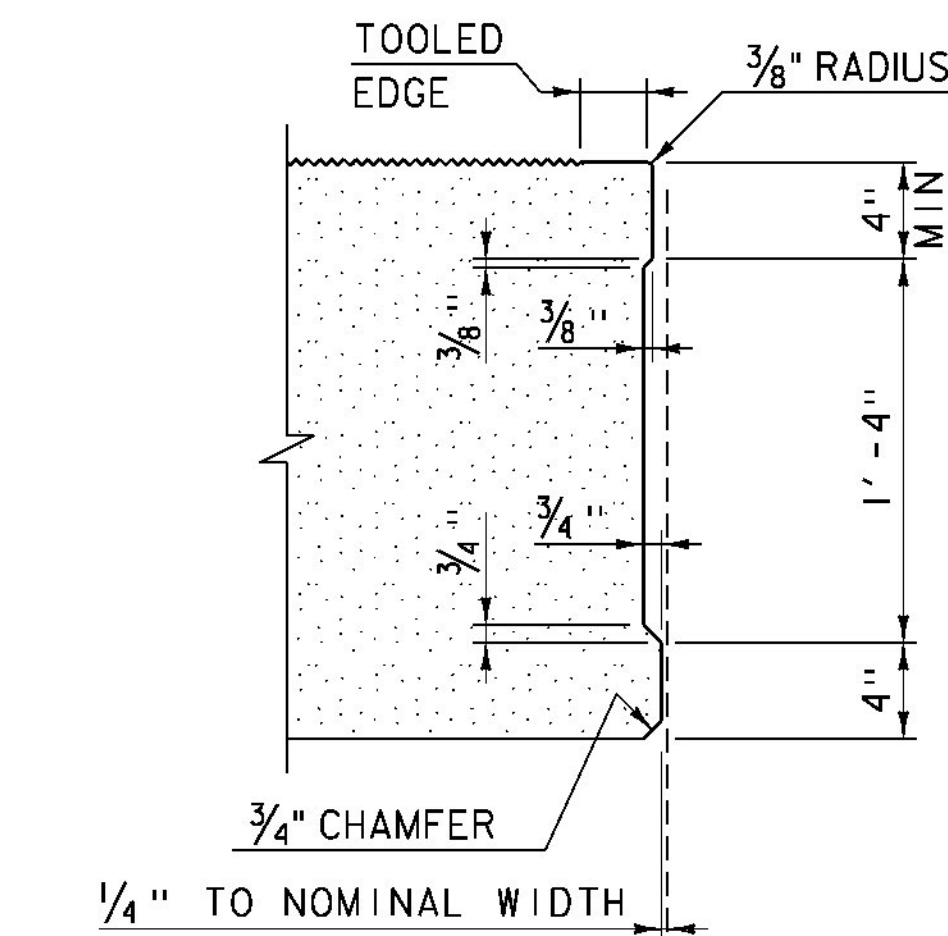
BEGIN/END BRIDGE DETAIL

SCALE: 3/4" = 1'-0"



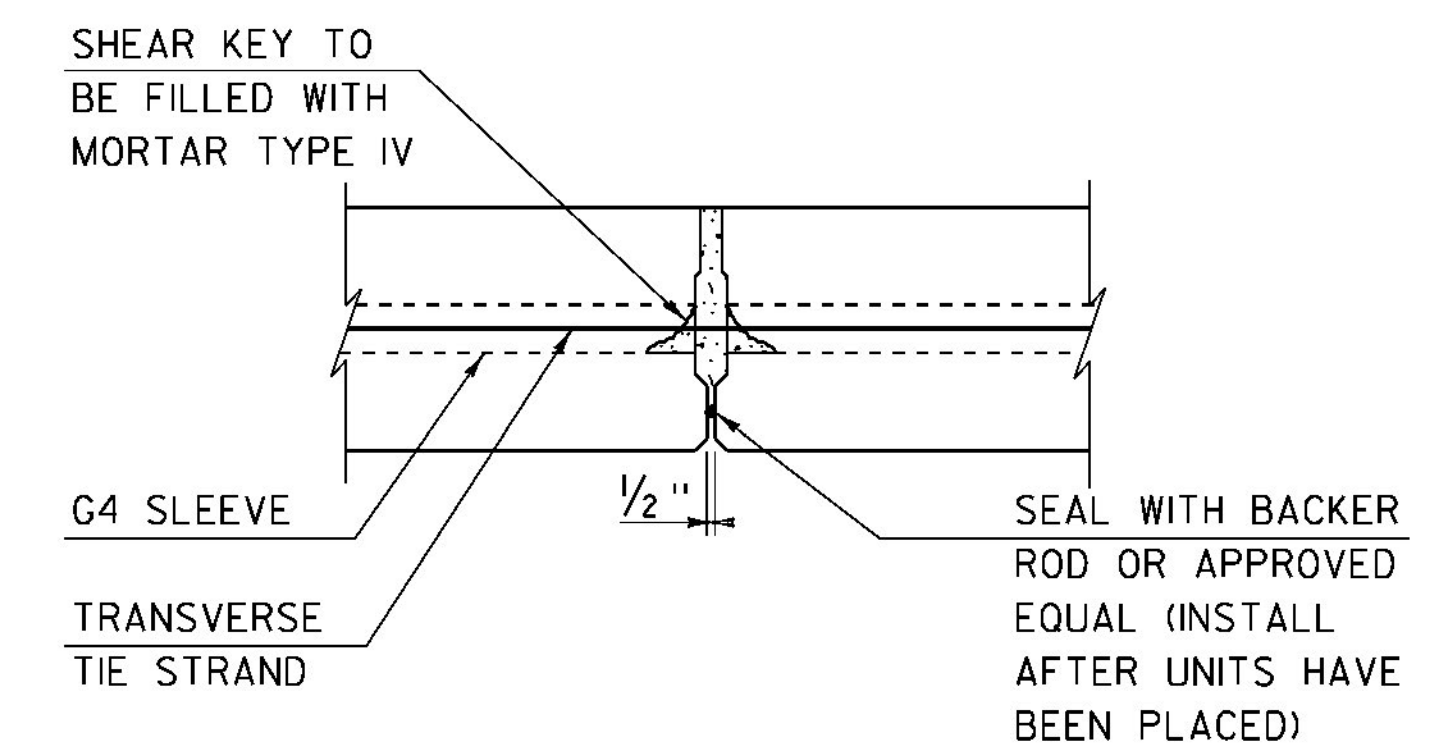
ANCHOR BOLT DETAIL

SCALE: 1" = 1'-0"



FULL DEPTH SHEAR KEY DETAIL

SCALE: 1/2" = 1'-0"



SHEAR KEY SECTION

SCALE: 1" = 1'-0"

PROJECT NAME:	BRISTOL	FILE NAME:	si0b094sup.dgn	PLOT DATE:	24-NOV-2014
PROJECT NUMBER:	BRF 021-I(29)	PROJECT LEADER:	C. CARLSON	DRAWN BY:	R. PELLETT
		DESIGNED BY:	G. MOONEY	CHECKED BY:	EVANS-MONGEON
		BRIDGE DECK PLAN		SHEET	22 OF 54